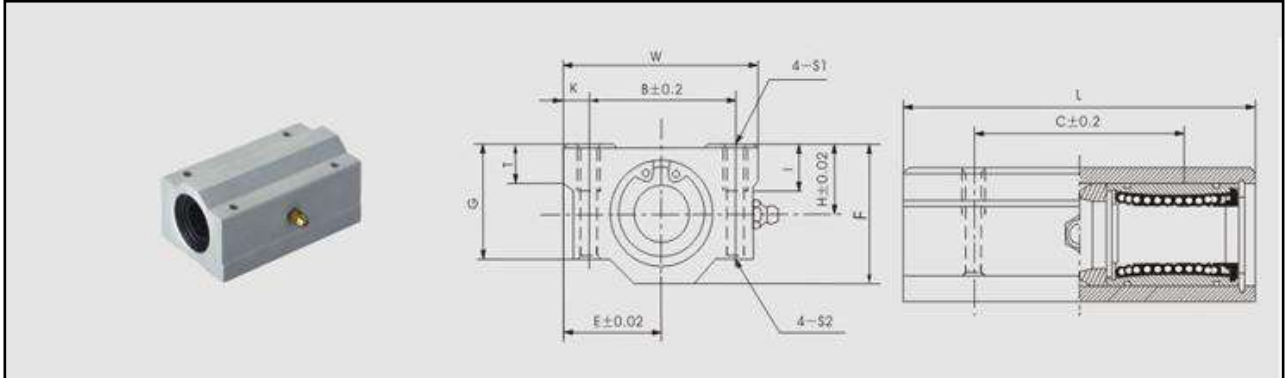


SMA Long Type

LM Series Case Unit



Model No.	Shaft Diameter	Main Dimensions								Mounting Dimension							Weight (Kg)	
		H	E	W	L		F	G	T	B	C		K	S1	S2	I	SMAL	KBAL
					SMAL	KBAL												
SMA8L	8	11	17	34	58	58	22	18	6	24	42	42	5	M4	3.4	8	0.100	0.100
SMA10L	10	13	20	40	68	68	26	21	8	28	46	46	6	M5	4.3	12	0.180	0.180
SMA12L	12	15	21	42	70		28	24	8	30.5	50		5.75	M5	4.3	12	0.200	
SMA13L	13	15	22	44	75	77	30	24.5	8	33	50	64	5.5	M5	4.3	12	0.230	0.237
SMA16L	16	19	25	50	85	89	38.5	32.5	9	36	60	79	7	M5	4.3	12	0.390	0.405
SMA20L	20	21	27	54	96	100	41	35	11	40	70	90	7	M6	5.2	12	0.490	0.510
SMA25L	25	26	38	76	130	136	51.5	42	12	54	100	119	11	M8	7	18	1.165	1.220
SMA30L	30	30	39	78	140	154	59.5	49	15	58	110	132	10	M8	7	18	1.430	1.580
SMA35L	35	34	45	90	155		68	54	18	70	120		10	M8	7	18	2.130	
SMA40L	40	40	51	102	175	180	78	62	20	80	140	150	11	M10	8.7	25	3.090	3.180
SMA50L	50	52	61	122	215	230	102	80	25	100	160	200	11	M10	8.7	25	6.530	6.990

Annotate: SMA Long Type uses the LM series bearing