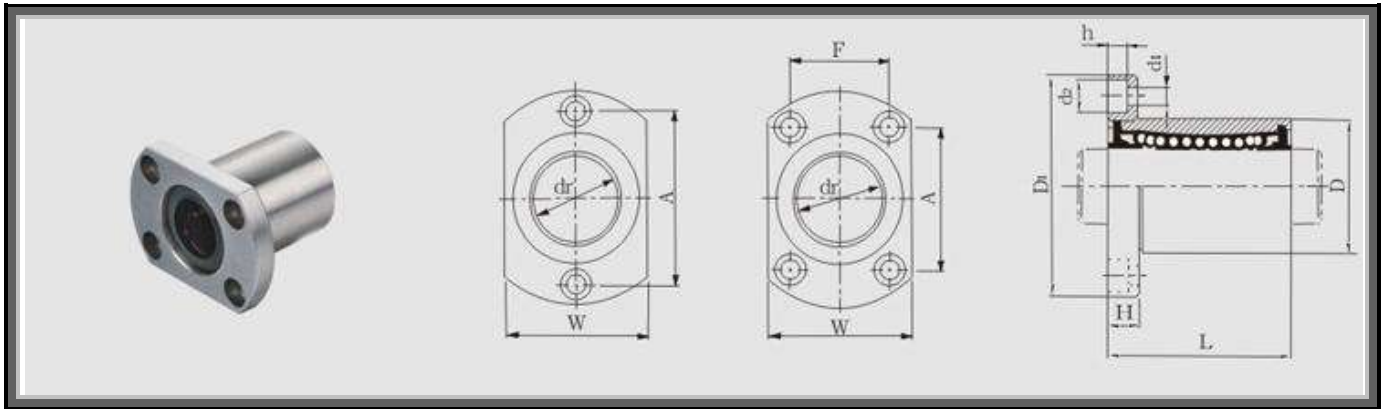


LMH Oval Type Linear Bearing



Model No.	Number Of Ball Rows	Main Dimensions															Squareness	Eccentricity (Max.)	Basic Load Rating		Weight (Kg)
		Inscribed Circle Diameter		Outer Diameter		Length		Range					Hole For Attachment			Dynamic (kgf)			Stattic Co (kgf)		
		dr	Tolerance	D	Tolerance	L	Tolerance	D1	W	H	A	F	d1	d2	h						
LMH6	4	6	0	12	0	19	0	28	18	5	20	3.5	6	3.1	0.012	0.012	21	27	0.019		
LMH8	4	8		15	-0.011	24		32	21	5	24	3.5	6	3.1			27	41	0.029		
LMH10	4	10		19	0	29		40	25	6	29	4.5	7.5	4.1			38	56	0.054		
LMH12	4	12		-0.009	21	0		30	42	27	6	32	4.5	7.5			4.1	42	61	0.058	
LMH13	4	13		23	-0.013	32		43	29	6	33	4.5	7.5	4.1			52	79	0.072		
LMH16	5	16		28		37		48	34	6	31	22	4.5	7.5			4.1	79	120	0.109	
LMH20	5	20		32	0	42		54	38	8	36	24	5.5	9			5.1	88	140	0.135	
LMH25	6	25		-0.010	40	-0.016		59	62	46	8	40	32	5.5			9	5.1	100	160	0.28
LMH30	6	30		45		64		74	51	10	49	35	6.6	11			6.1	160	280	0.35	
LMH35	6	35		0	52	0		70	-0.30	82	60	10	55	38			6.6	11	6.1	170	320
LMH40	6	40	-0.012	60	-0.019	80	96	70	13	64	45	9	14	8.1	220	410	0.836				