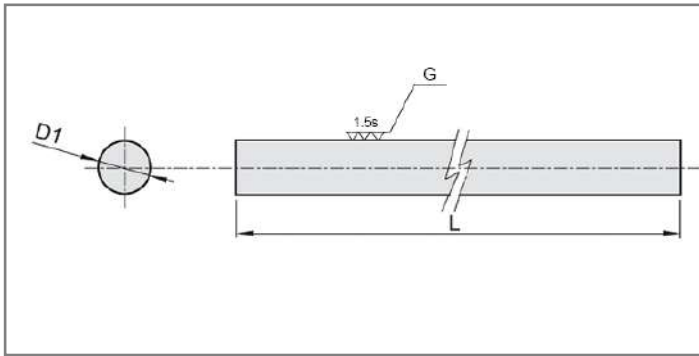


Hardened, Ground & Chrome Plated Shaft

Case Hardened Chrome Plated Shaft

Material : SUJ2 (High carbon chromium bearing steel)
 Treatment : Induction hardened, ground & chrome plated with surface roughness less than 1.5s
 Hardness : HRC 62 ± 2



Diameter (mm)	Model No. (SCF)	Diameter Tolerance g6 (μm)	Max Length L (mm)	Depth of effective hardened layer (mm)	Weight (Kg / m)	
3	SCF 3	-0.004 -0.012	1000	1.5 and above	0.06	
4	SCF 4		1000		0.10	
5	SCF 5		1000		0.16	
6	SCF 6		3000		0.23	
8	SCF 8	-0.005 -0.014	5000		2.0 and above	0.40
10	SCF 10		5000			0.62
12	SCF 12	-0.006 -0.017	6000		2.5 and above	0.89
13	SCF 13		6000			1.05
16	SCF 16		6000	1.58		
20	SCF 20	-0.007 -0.020	6000	3.0 and above	2.47	
25	SCF 25		6000		3.85	
30	SCF 30	-0.009 -0.025	6000		7.55	5.55
35	SCF 35		6000			7.55
40	SCF 40	-0.010 -0.029	6000	9.87	15.41	
50	SCF 50		6000		22.20	
60	SCF 60		6000		39.46	
80	SCF 80	-0.012 -0.034	6000	61.66		
100	SCF		6000			

Special Features:

Chromium plated SBC Shaft is highly anti-corrosive. Appropriate for the environment where oxidation immediately takes place due to water, chemicals, vapour, sea water, etc.