



OUTLAND OKA SPECIFICATIONS

FAT TIRE BIKE

FRAMESET

FRAME	iGO Alloy 6061 Fat 26 with iGO Electronics Access Port for unprecedented serviceability, internal cable routing, in-frame removable battery
COLOR	Titanium Metallic Grey & Jet Black
FORK	RST Renegade Air with lockout Suspension, 120mm Travel

DRIVETRAIN

SHIFTERS	SRAM X5 9-Speed Trigger shift
CHAINRINGS	38T
CHAIN	KMC Z8
REAR DERAILLEUR	SRAM X5 9-speed Long cage
CASSETTE	SRAM PG970/9 11-34

COMPONENTS

HANDLEBAR	720mm Sport
STEM	Alloy 2 Degree Rise
SEAT POST	Alloy 31.6 with quick release
SADDLE	VELO for iGO
BRAKE LEVERS	TEKTRO Auriga Hydraulic
BRAKE CALIPERS	TEKTRO Auriga Hydraulic Disc
ROTORS	180mm

WHEELS

TIRES	CHAQYANG 26" x 4"
RIMS	Alloy 26x4.0

ACCESSORIES

INCLUDED	Rear Cargo Rack Boss for Optional Rack Water Bottle Boss under Top Tube Kickstand Tool Kit
SOLD SEPARATELY	SUNTOUR NEX Suspension Seat Post

NOTES

BIKE WEIGHT	25.9 kg (57.1 lbs)
BATTERY WEIGHT	3.1kg (6.8 lbs)
WEIGHT CAPACITY	114 kg (250 lbs)

ELECTRIC TECHNOLOGY

iGO CONNECT	Customizable Profile and Performance Settings with Full Diagnostic Monitoring and Alerts Bluetooth Connectivity Mobile App (Android and iOS)
DISPLAY UNIT	TFT Color Backlit, Vibration feedback buttons, Power with password protection, Diagnostic, Battery Status, Light Switch, Power-assist Level Selector, Speedometer, Max Speed, Avg Speed, Odometer, Trip Timer
MOTOR	500W Geared Rear Hub Drive for Fat Bike (750W US)
TORQUE	up to 80Nm
CONTROLLER	48V High Power Density Sine wave, Mosfet based up to 70 Amp, Bluetooth
BATTERY TYPE	SAMSUNG 18650 Removable in Frame Lithium Battery
VOLTAGE	48V
BATTERY Ah	14Ah
BATTERY CAPACITY	672Wh
RANGE	70km (45mi) *
POWER ASSIST	5 Levels of power assisted pedalling ***
THROTTLE	Any time on demand thumb throttle (Removable)
SENSOR	Dual sided Torque Sensing
CLASS	Class2 / Class 1 optional / Class3 capable where permitted max speed 45km/h (28mph) **
BATTERY CHARGER	110/220V Smart charger, LED status ,UL, 2A

*Actual range may vary depending on Ah of battery rider weight and other riding conditions.

**electric bike class regulation:

Class 1 - Pedal assist motor with maximum assisted speed 32km/h (20mph)
Class 2 - Pedal assist motor and throttle with maximum assisted speed 32km/h (20mph)
Class 3 - Throttle and/or pedal assist motor with maximum assisted speed 45km/h (28mph)
all classes allow a maximum motor power of 750W(US) or 500W(Canada)

This bike is sold factory configured to CLASS 2 specifications.
User configurable to CLASS 1 or CLASS 3

***Multiple rider profiles available. Always check the specific state/provincial laws for use of class 3 electric bikes and only engage Off Road Mode where this is permitted.

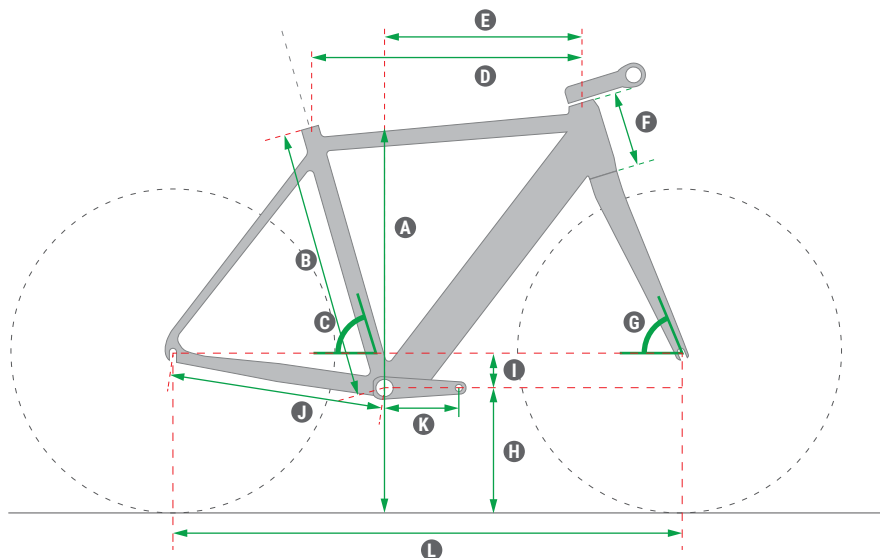
OUTLAND
OKA



FAT TIRE BIKE

GEOMETRY (in mm unless stated)

FRAME SIZE	47cm (18.5")
A STAND OVER HEIGHT	78.9cm (31")
B SEAT TUBE LENGTH	470
C SEAT TUBE ANGLE	73°
D EFFECTIVE TOP TUBE LENGTH	611
E REACH	402
F HEAD TUBE LENGTH	140
G HEAD TUBE ANGLE	68.5°
H BOTTOM BRACKET HEIGHT	310
I BOTTOM BRACKET DROP	70
J CHAINSTAY LENGTH	500
K CRANK LENGTH	170
L WHEELBASE	1188



The Future is Electric®