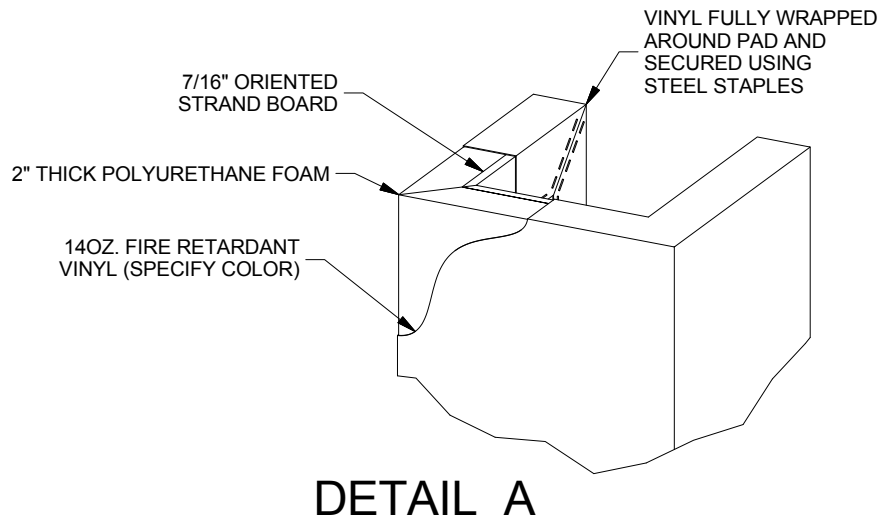
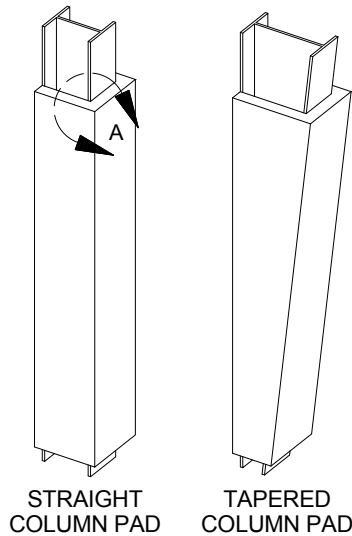




WallGuard Basic Column Wall Padding



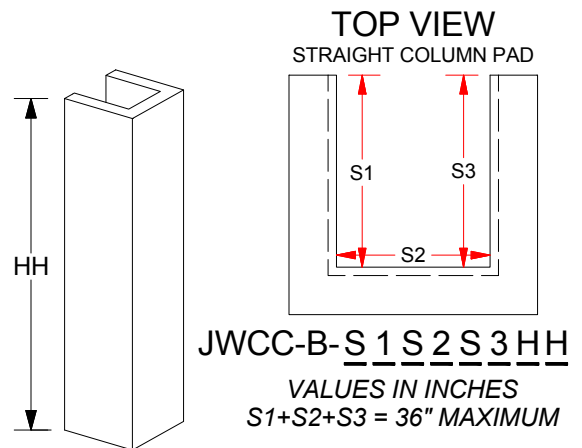
SPECIFICATIONS - BASIC COLUMN PADS

Jaypro Sports Basic Straight and Tapered Column Pads are for indoor use only. Vinyl meets or exceeds the requirements of NFPA 101 Life Safety Code for Class A rating (Flame Spread 0-25, Smoke Development 0-450) and California State (CSFM) test requirements.

Construction: Basic pad shall have 2" thick polyurethane foam with 7/16" oriented strand board (OSB) backing. Vinyl shall be wrapped around backside of backer board and secured with steel staples. Vinyl shall be 14 oz per square yard with grab tensile strength 365lbs x 348lbs and tongue tear strength 92lbs x 83lbs. Vinyl shall be washable and resistant to fade, rot, mildew, and fungus.

Attachment: Column pads available with z-clip top and bottom, z-clip top and 1" margin bottom, or 1" margin top and bottom. Column pads can be mounted to wood, drywall, concrete, brick, etc using the appropriate fasteners supplied by others (not Jaypro).

Custom column pad sizes are available. See additional specification for flat wall pads and corner pads. Vinyl available in 14 standard colors.



QUANTITY	P/N	DESCRIPTION
_____	JWCC-B-_____ZZ	STRAIGHT, Z-CLIP TOP & BOTTOM
_____	JWCC-B-_____Z	STRAIGHT, Z-CLIP TOP, 1" LIP BOTTOM
_____	JWCC-B-_____	STRAIGHT, 1" LIP TOP & BOTTOM
_____	JWCCT-B-_____ZZ	TAPERED, Z-CLIP TOP & BOTTOM
_____	JWCCT-B-_____Z	TAPERED, Z-CLIP TOP, 1" LIP BOTTOM
_____	JWCCT-B-_____	TAPERED, 1" LIP TOP & BOTTOM

PROJECT NAME _____

PROJECT NUMBER _____

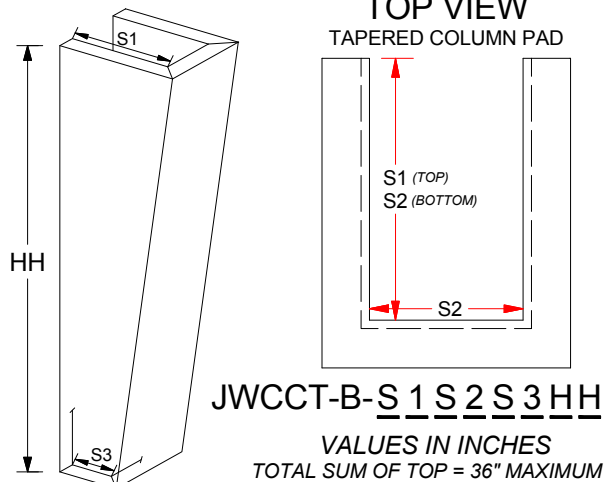
ARCHITECT _____

CONTRACTOR _____

NOTES _____

SPECIFY COLOR

- | | |
|---------------------------------------|---------------------------------|
| <input type="checkbox"/> ROYAL BLUE | <input type="checkbox"/> PURPLE |
| <input type="checkbox"/> NAVY BLUE | <input type="checkbox"/> RED |
| <input type="checkbox"/> LIGHT BLUE | <input type="checkbox"/> MAROON |
| <input type="checkbox"/> FOREST GREEN | <input type="checkbox"/> ORANGE |
| <input type="checkbox"/> KELLY GREEN | <input type="checkbox"/> YELLOW |
| <input type="checkbox"/> BLACK | <input type="checkbox"/> TAN |
| <input type="checkbox"/> WHITE | <input type="checkbox"/> GRAY |



www.jaypro.com
(800) 243-0533
976 Hartford Turnpike
Waterford, CT 06385 USA
Sheet 1 of 1