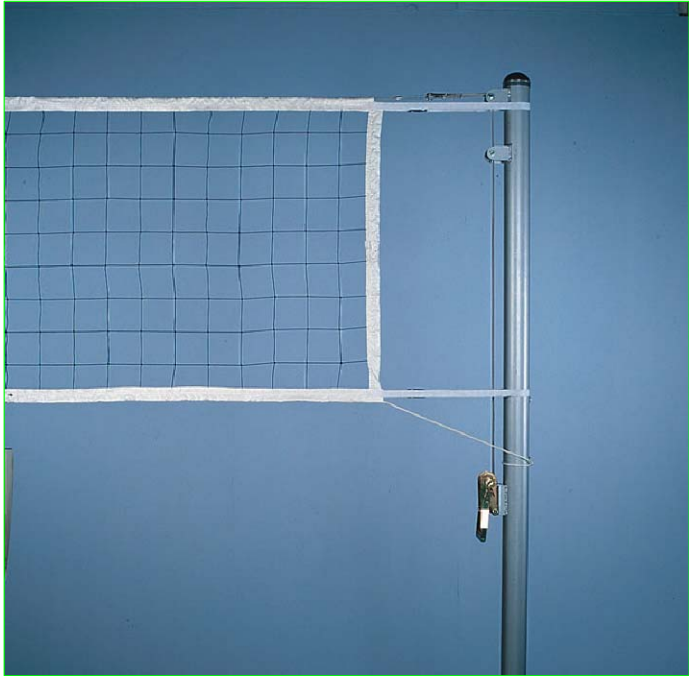
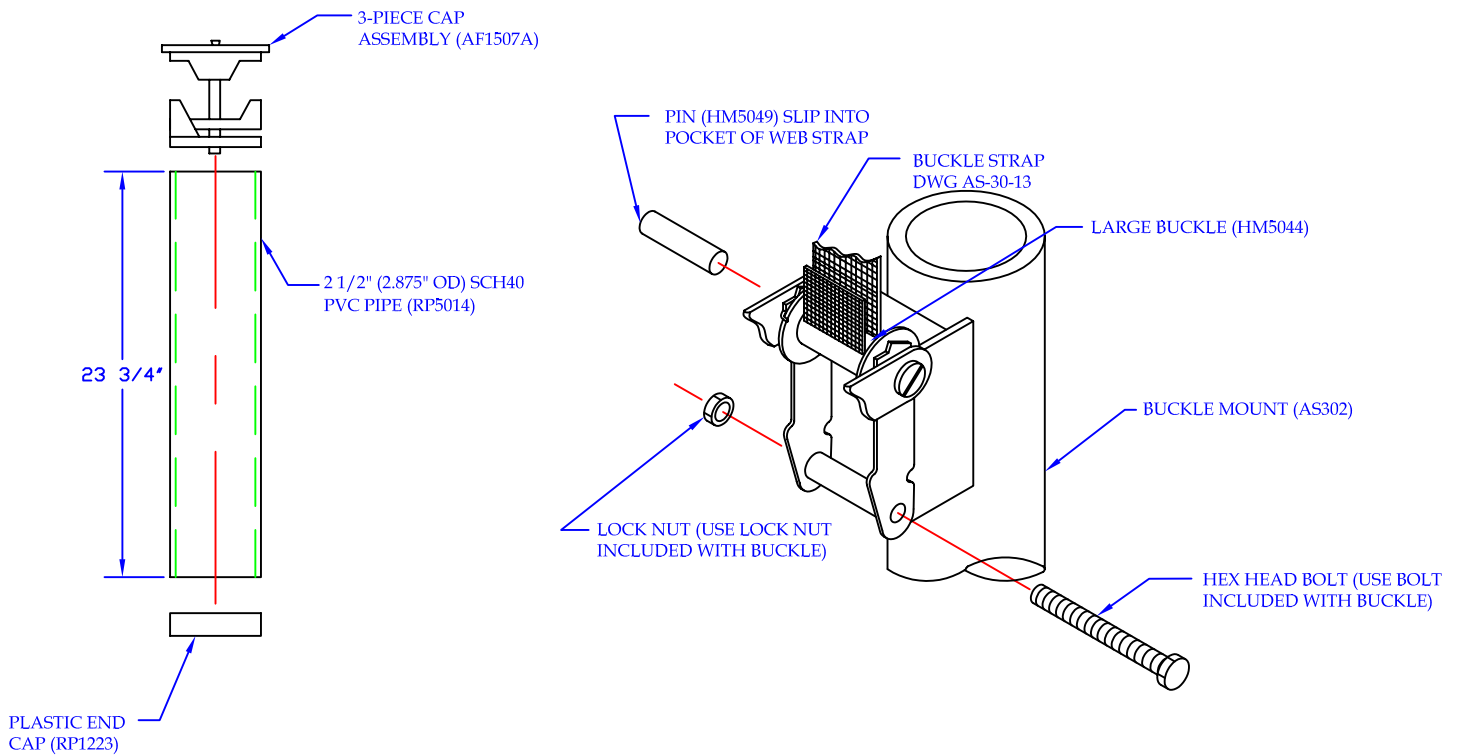


OS-350 Outdoor Volleyball



Ideal system for recreational outdoor volleyball. 2- $\frac{3}{8}$ " O.D. galvanized steel standards include rust resistant ratchet system to tension the net. System includes 1 pair of uprights, 1 pair of PVC ground sleeves (OS-350) with 3-piece locking aluminum top caps for semi-permanent installation. This is not designed for sand court. All hardware included. Nets available seperately.



REV.	DESCRIPTION	DATE	BY

COPYRIGHT 2003
JAYPRO SPORTS, LLC.
ALL RIGHTS RESERVED

**OS-350
Outdoor Volleyball**

THIS PRINT IS THE PROPERTY OF JAYPRO SPORTS, LLC.
AND MAY NOT BE REPRODUCED WITHOUT WRITTEN PERMISSION

Sports Equipment
Jaypro
Since 1953

www.jaypro.com
976 HARTFORD TURNPIKE
WATERFORD, CT 06385 USA

DRAWING NAME / PART NO.: OS-350sp.dwg	
DRAWN BY: BTS	CHK'D BY: CHK'D BY
ISSUE DATE: 3-29-05	
SHEET: 1 OF 1	REV. A