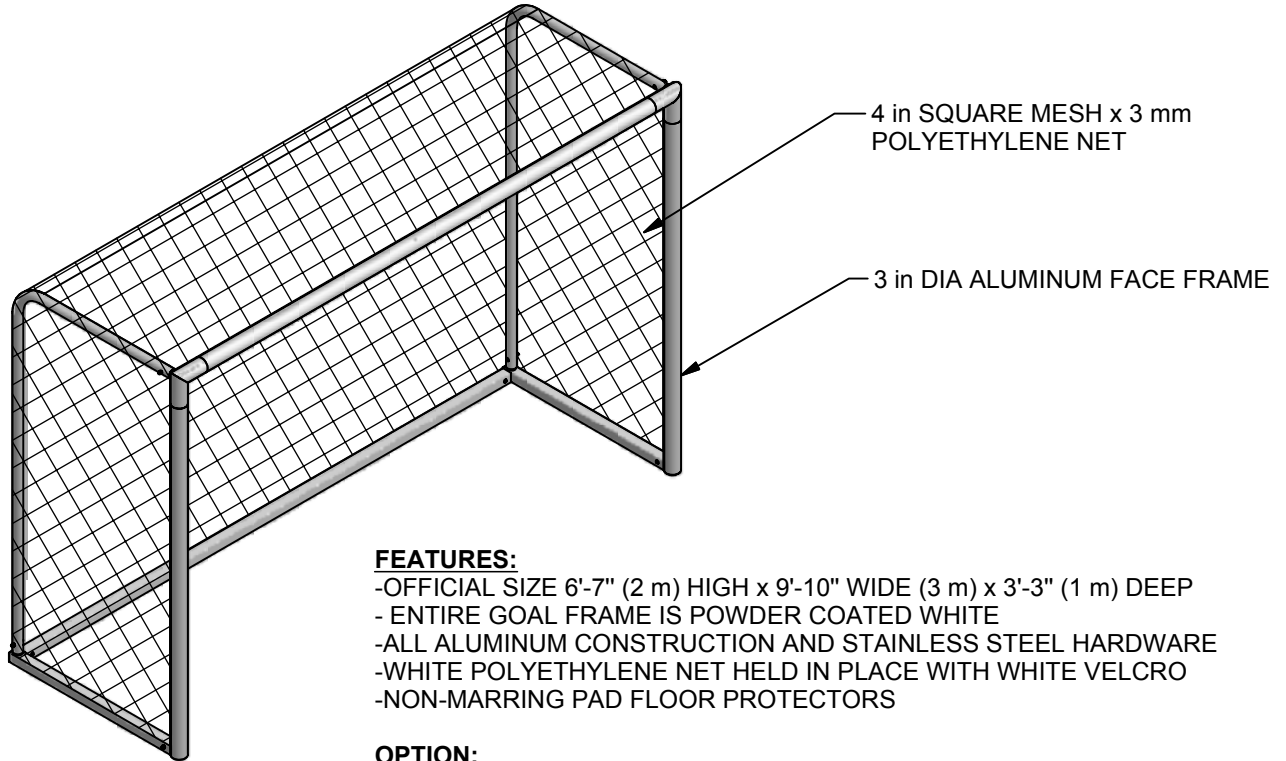


# FSG67910 FUTSAL GOAL

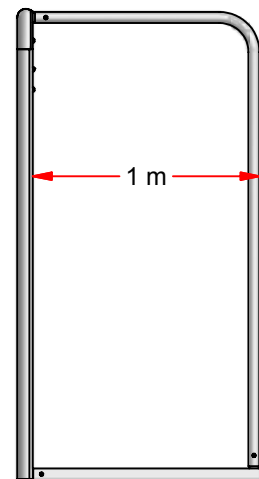
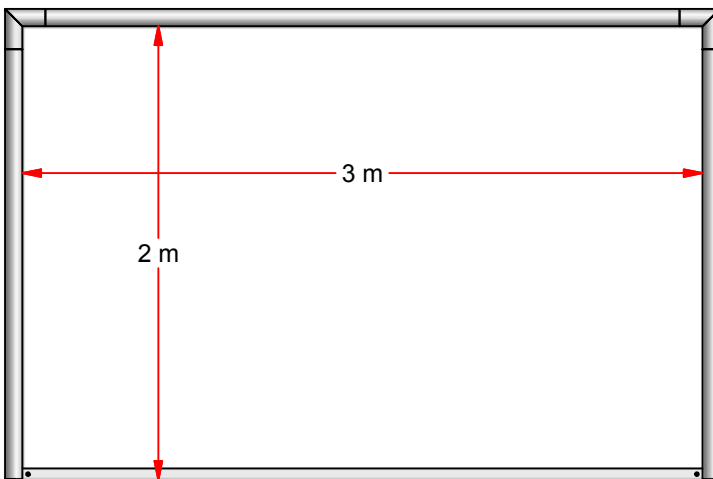


**FEATURES:**

- OFFICIAL SIZE 6'-7" (2 m) HIGH x 9'-10" WIDE (3 m) x 3'-3" (1 m) DEEP
- ENTIRE GOAL FRAME IS POWDER COATED WHITE
- ALL ALUMINUM CONSTRUCTION AND STAINLESS STEEL HARDWARE
- WHITE POLYETHYLENE NET HELD IN PLACE WITH WHITE VELCRO
- NON-MARRING PAD FLOOR PROTECTORS

**OPTION:**

- 10" PNEUMATIC WHEEL KIT AVAILABLE FOR EASY TRANSPORT  
FSG67910WK



REV.	DESCRIPTION	DATE	BY	<b>FSG67910</b> <b>FUTSAL GOAL</b>	www.jaypro.com	DRAWING NAME / PART NUMBER: <b>FSG67910</b>
						DRAWN BY: DONL
					FAX: 860.444.1779 (SALES) 860.440.0628 (ENG.)	ISSUE DATE: 1/12/2010
					PHONE: 800.243.0533 (TOLL FREE) 860.447.3001 (LOCAL)	CHK'D BY: WVB
COPYRIGHT 2006 JAYPRO SPORTS, LLC. ALL RIGHTS RESERVED				THIS PRINT IS THE PROPERTY OF JAYPRO SPORTS, LLC. AND MAY NOT BE REPRODUCED WITHOUT WRITTEN PERMISSION	JAYPRO SPORTS, LLC, 976 HARTFORD TURNPIKE, WATERFORD, CT 06385 USA	SHEET: 1 OF 1
						REV.