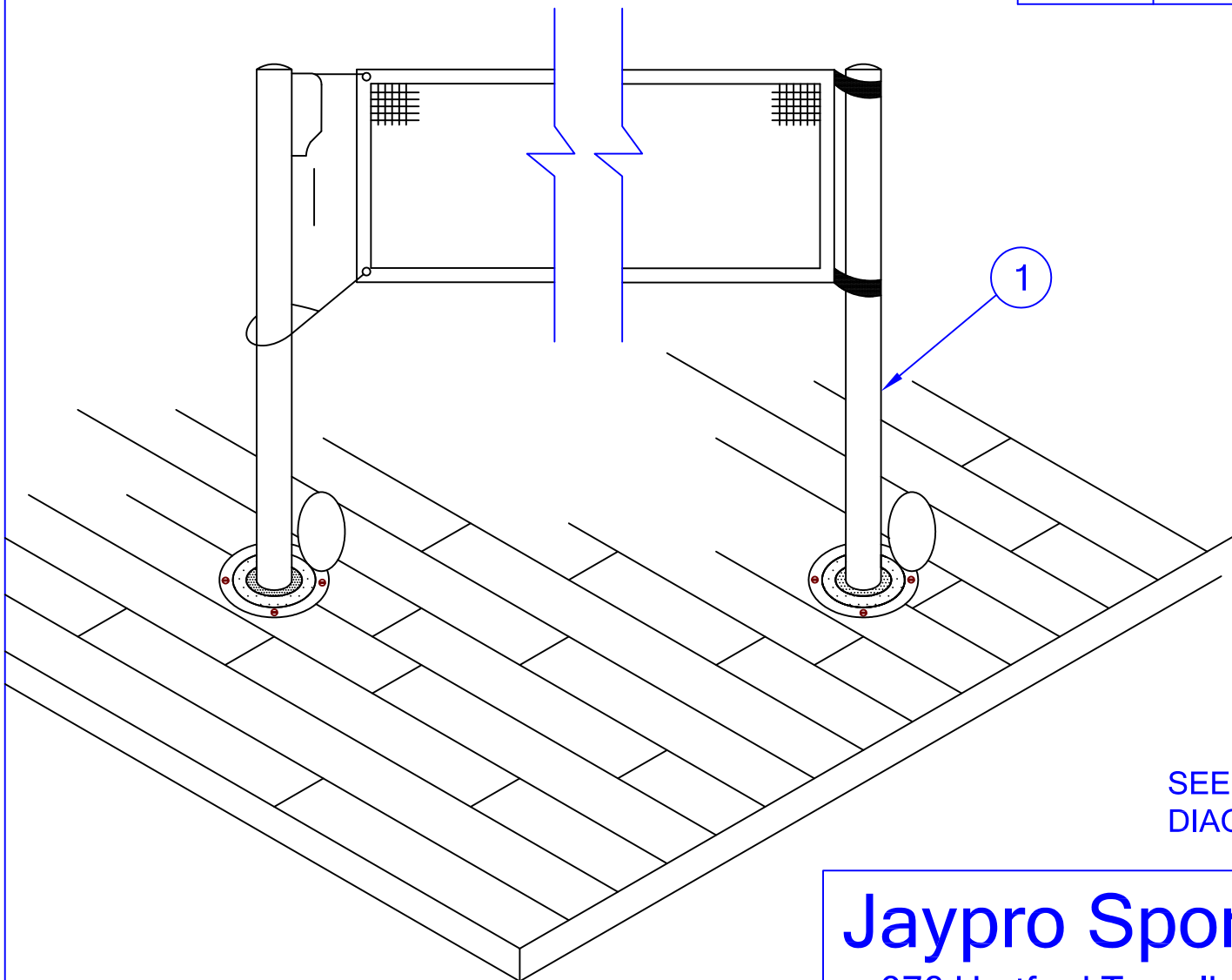


NET AND FLOOR SLEEVES NOT INCLUDED  
SHOWN FOR ILLUSTRATED PURPOSES ONLY

LIST OF MATERIALS			
BADMINTON STANDARD BSO-2			
PIECE NO	PART NO	DESCRIPTION	QTY
1	BSO-2U-1	STANDARD ASSEMBLY	2



SEE 'FLOOR SLEEVE' INSTALLATION  
DIAGRAM FOR SLEEVE DETAILS.

**Jaypro Sports**

976 Hartford Turnpike  
Waterford, CT 06385 USA  
(800)243-0533  
(800)988-3363 Fax  
www.jaypro.com

MODEL NO.:  
**BSO-2**

PRODUCT NAME:  
BADMINTON STANDARD

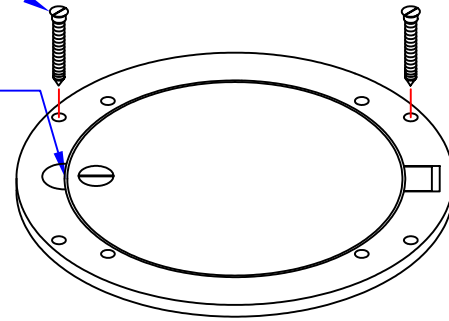
DRAWN BY: JAC

EFFECTIVE DATE:  
6-17-14

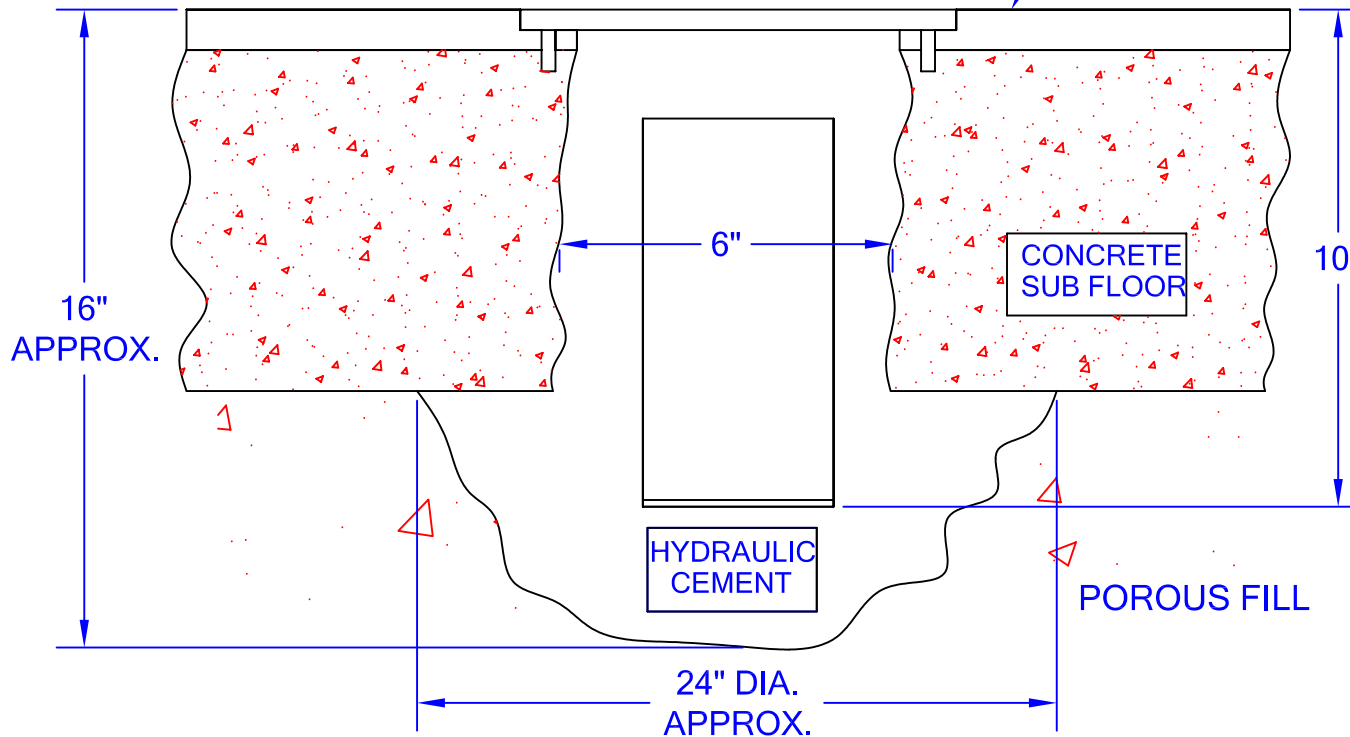
#10 x 1 1/4" FLAT HEAD BRASS WOOD SCREW

COVER PLATE LIFTS UP OUT OF THE WAY TO PREVENT MISPLACEMENT

BRASS COVER PLATE ASSEMBLY (PVB75C)



FINISHED SYNTHETIC FLOORING



TYPICAL INSTALLATION IN A SYNTHETIC FLOOR

# Jaypro Sports

976 Hartford Turnpike  
Waterford, CT 06385 USA  
(800)243-0533  
(800)988-3363 Fax  
[www.jaypro.com](http://www.jaypro.com)

MODEL NO.:

## BSO-2

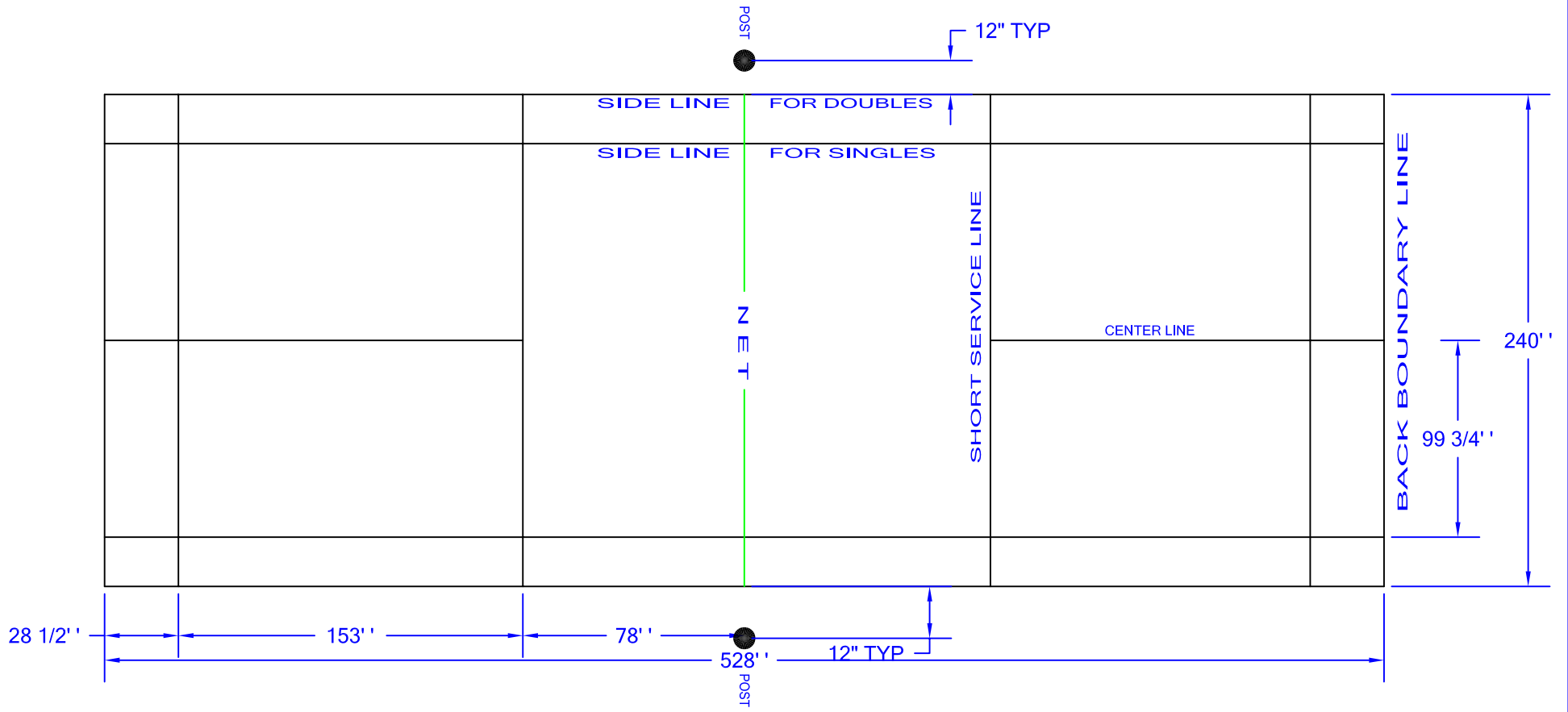
PRODUCT NAME:

FLOOR SLEEVE FOR SYNTHETIC,  
WOOD, OR TILE FLOOR

DRAWN BY: JA

EFFECTIVE DATE:

11-1-04



COURT SIZE SPECIFICATIONS PER THE  
 UNITED STATES BADMINTON ASSOCIATION  
 (U.S.B.A.) ARE 20'W x 44'L.

<h2>Jaypro Sports</h2> <p>976 Hartford Turnpike          Waterford, CT 06385 USA          (800)243-0533          (800)988-3363 Fax  <a href="http://www.jaypro.com">www.jaypro.com</a></p>	MODEL NO.: <h1>BSO-2</h1>	
	PRODUCT NAME: BADMINTON COURT LAYOUT	
	DRAWN BY: JAC	EFFECTIVE DATE: <b>4-3-03</b>