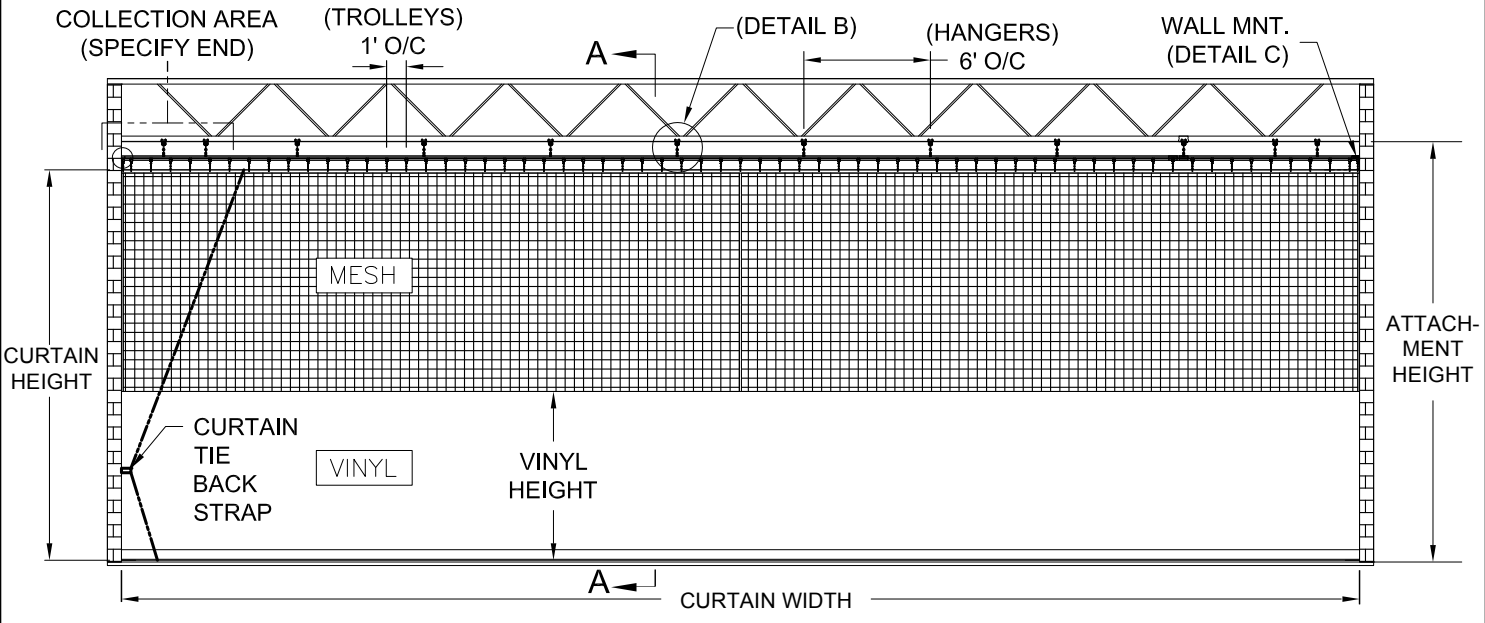
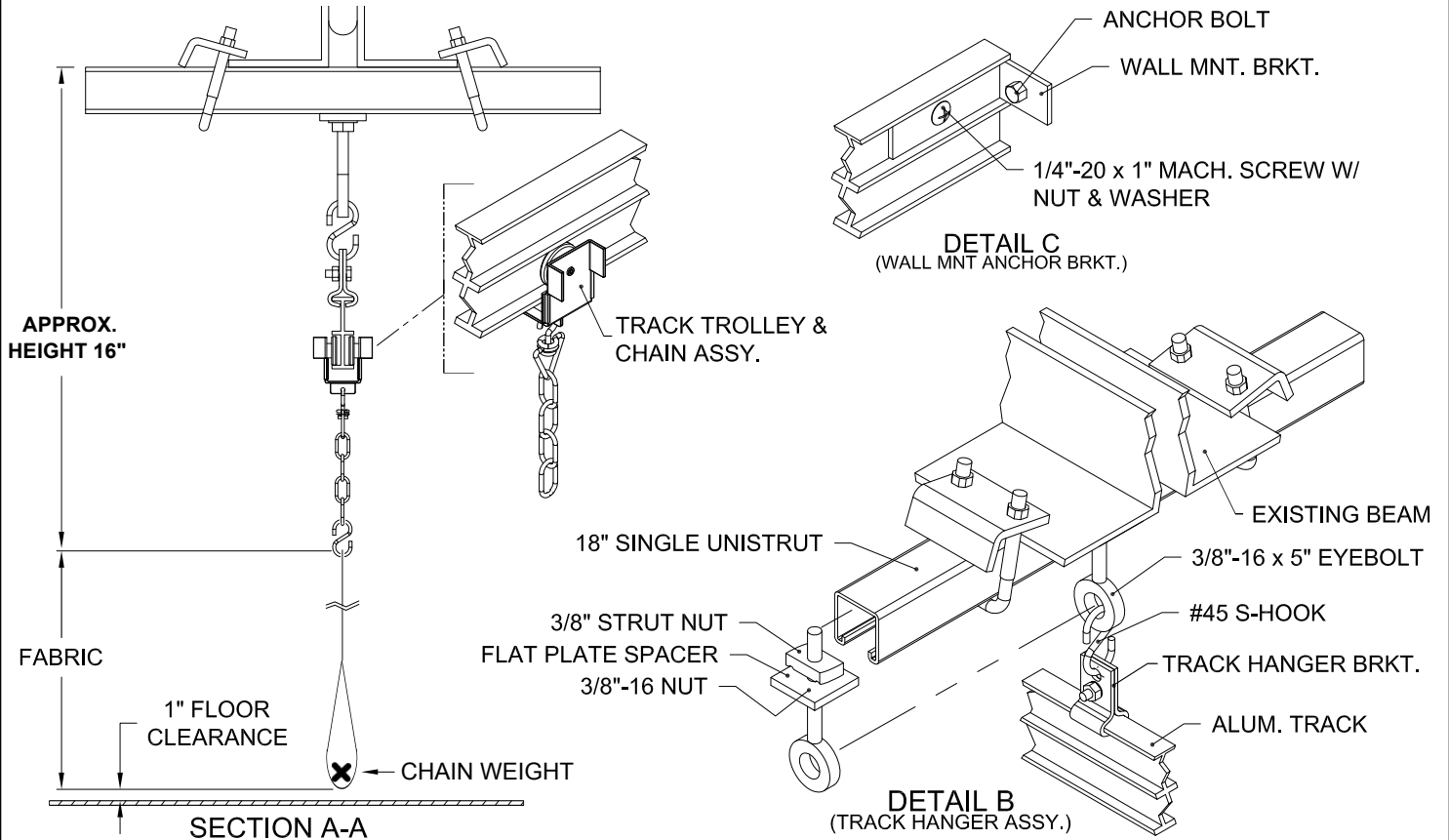




WC-660 CEILING SUSPENDED DIVIDER CURTAIN



PROJECT NAME _____ ARCHITECT _____

PROJECT NUMBER _____ CONTRACTOR _____



WC-660
 WALK DRAW GYMNASIUM DIVIDER CURTAIN
 © COPYRIGHT 2014 JAYPRO SPORTS, LLC. ALL RIGHTS RESERVED
 THIS PRINT IS THE PROPERTY OF JAYPRO SPORTS, LLC. AND MAY NOT BE REPRODUCED WITHOUT WRITTEN PERMISSION

www.jaypro.com
 (800) 243-0533
 976 Hartford Turnpike
 Waterford, CT 06385 USA
 Sheet 1 of 2



CURTAIN SPECIFICATION SHEET

CURTAIN

The WC-660 curtain is a single walk draw curtain available in the following conditions:

- Solid lower section and mesh upper section (recommended)
- All solid
- All mesh

Lower section of curtain shall be 18 oz. solid vinyl coated polyester (per square yard). Vinyl shall be washable and resistant to fade, rot, mildew, and fungus. Vinyl shall have fire retardant ratings to meet all requirements of NFPA 701 (Test Method 2), ASTM-E-84-Class A, and State of California test requirements. All seams to be electronically RF welded vertically with a full 1" contact weld for resistance to tearing and breakaway. Outer edge hems shall be triple turned with double welds. A 6" pocket shall be formed along the bottom edge of the curtain to accommodate a No. 2/0 coil proof chain. Color and height shall be as specified by the owner.

Upper section of curtain shall be 9 oz vinyl coated woven polyester mesh (per square yard). Mesh shall be washable and resistant to fade, rot, mildew, and fungus. Mesh shall have fire retardant ratings to meet all requirements of NFPA 701 (Test Method 2), State of California test requirements, and Federal Standard 191 (5903.2) (Method Vertical). All seams to be electronically RF welded vertically with a full 1" contact weld for resistance to tearing and breakaway. Outer edge hems shall be triple turned with double welds. Top edge of curtain shall be formed with matching solid vinyl. Grommets shall be located 1" from top edge and 12" on center for attachment of trolleys. Color shall be specified by the owner.

TRACK

Track shall be 11 gauge double rib extruded aluminum 2-1/2" x 1" I-Beam construction. Track shall be rigidly suspended from building structure with heavy duty beam clamps and hanger brackets suitable to building conditions. Spacing shall not exceed 6'-0" on center (2'-0" on center in the storage area).

TROLLEYS

Trolleys shall be dual 1" diameter nylon-tired ball bearing wheels. Trolley come equipped with nylon spacers to reduce noise and friction when operated. Spacing shall be 12" on centers and travel atop the bottom flange of the track. Carriers shall be attached to a swivel trim chain that is fastened with an "S" hook to the grommets in the top of the curtain. Stack space for curtain shall not exceed 1-1/2" per carrier.

STORAGE

Storage of the curtain shall be at the wall. While in storage, curtain shall be secured to the wall with a matching vinyl strap with Velcro closure. An optional curved storage area should be specified for curtains requiring storage parallel with the wall. Special wall cleats are provided for parallel wall storage.

OPERATION

Curtain shall be manually pulled from ground level and glide easily along the track.

COLOR OPTIONS

18 oz. Vinyl: White / Black / Grey / Red / Maroon / Yellow / Dark Royal Blue / Marine Blue / Forest Green / Kelly Green / Beige / Orange

22 oz. Vinyl: Grey / Dark Royal Blue / Red

9 oz. Mesh: White / Black / Grey / Red / Yellow / Blue & Black Weave

WARRANTY

The total curtain system shall be guaranteed against defects in material and workmanship for a period of one (1) year. Other components may be covered by their own extended warranty.