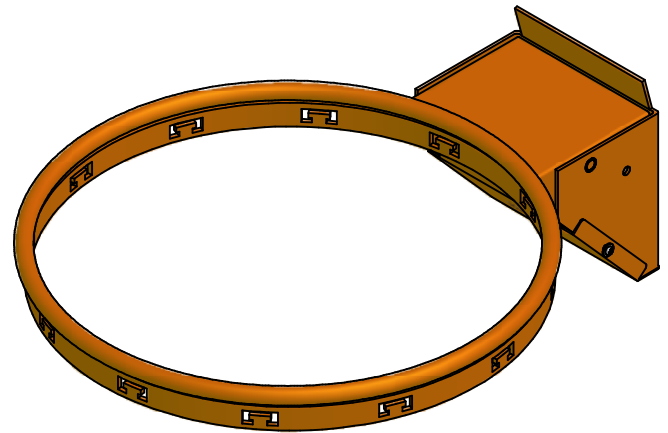
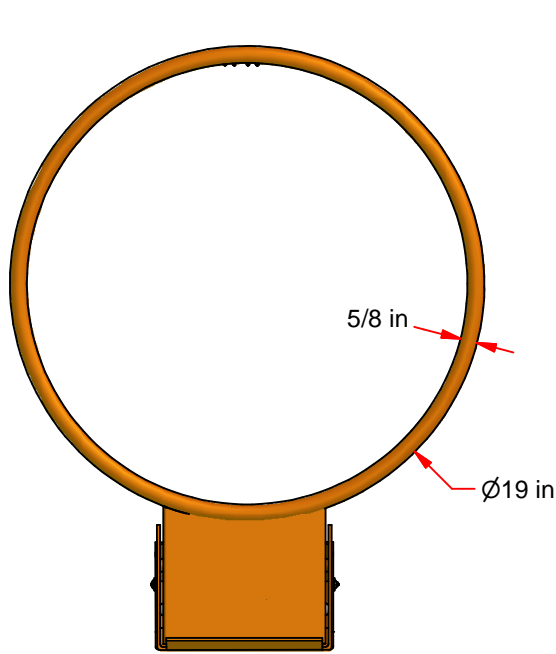
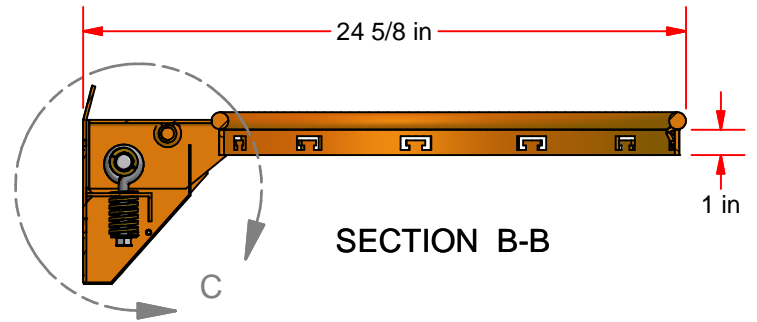
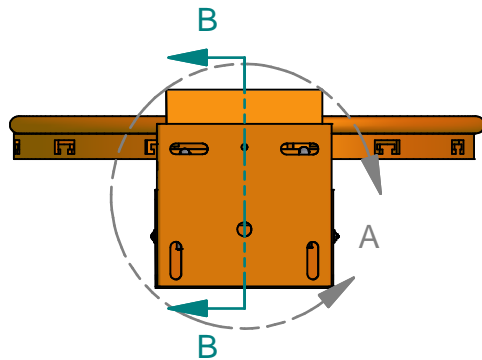


# UBG-500F

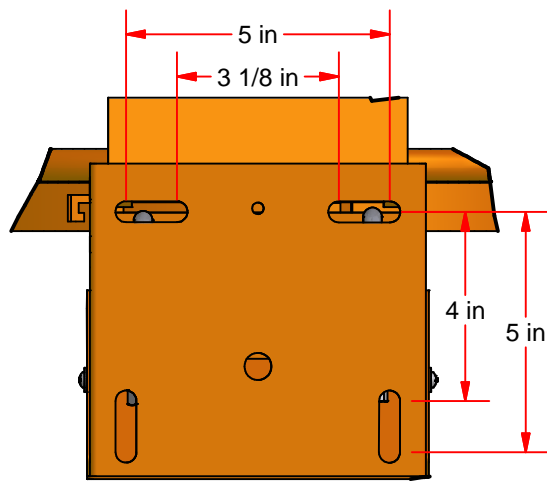
## DOUBLE RIM ULTIMATE BREAKAWAY GOAL



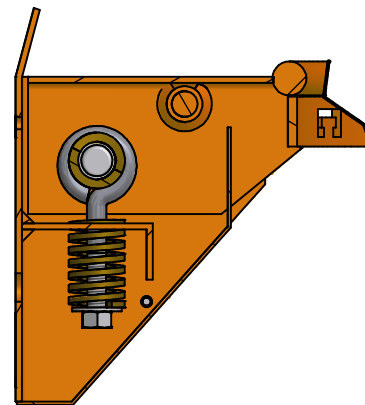
THIS EXTREMELY DURABLE BREAKAWAY GOAL CAN BE ADJUSTED TO WITHSTAND DIFFERENT LEVELS OF PRESSURE. FITS 5" x 5" AND 5" x 4" HOLE PATTERNS FOR USE WITH 42" BACKBOARDS. POSITIVE LOCK HOLDS SOLID PLAYING POSITION. DURABLE POWDER COATED FINISH. INCLUDES MOUNTING HARDWARE AND PREMIUM NET.



SECTION B-B



DETAIL A



1/8 in DETAIL C

REV.	DESCRIPTION	DATE	BY

**UBG-500F**  
Double Rim Ultimate  
Breakaway Goal

www.jaypro.com



FAX:  
800.444.1779 (SALES)  
860.440.0628 (ENG.)

PHONE:  
800.243.0533 (TOLL FREE)  
860.447.3001 (LOCAL)

DRAWING NAME / PART NUMBER:

UBG-500F

DRAWN BY:

ISSUE DATE:

DC

6/12/2006

CHK'D BY:

BTS

SHEET:

1 OF 1

REV.

A

THIS PRINT IS THE PROPERTY OF JAYPRO SPORTS, LLC.  
AND MAY NOT BE REPRODUCED WITHOUT WRITTEN PERMISSION

JAYPRO SPORTS, LLC, 976 HARTFORD TURNPIKE, WATERFORD, CT 06385 USA