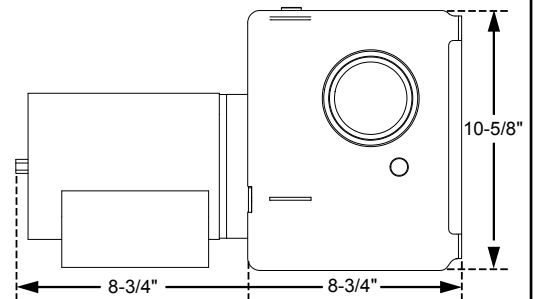
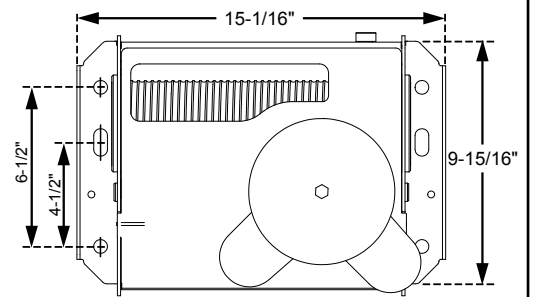
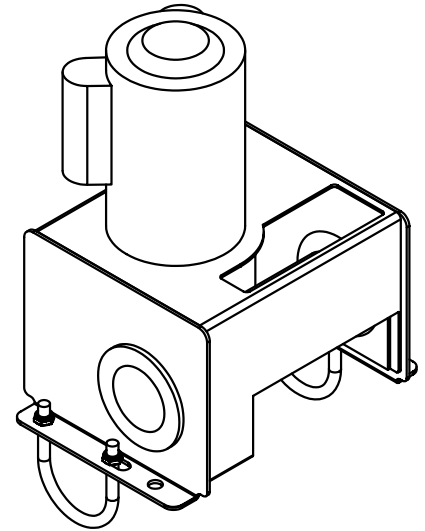
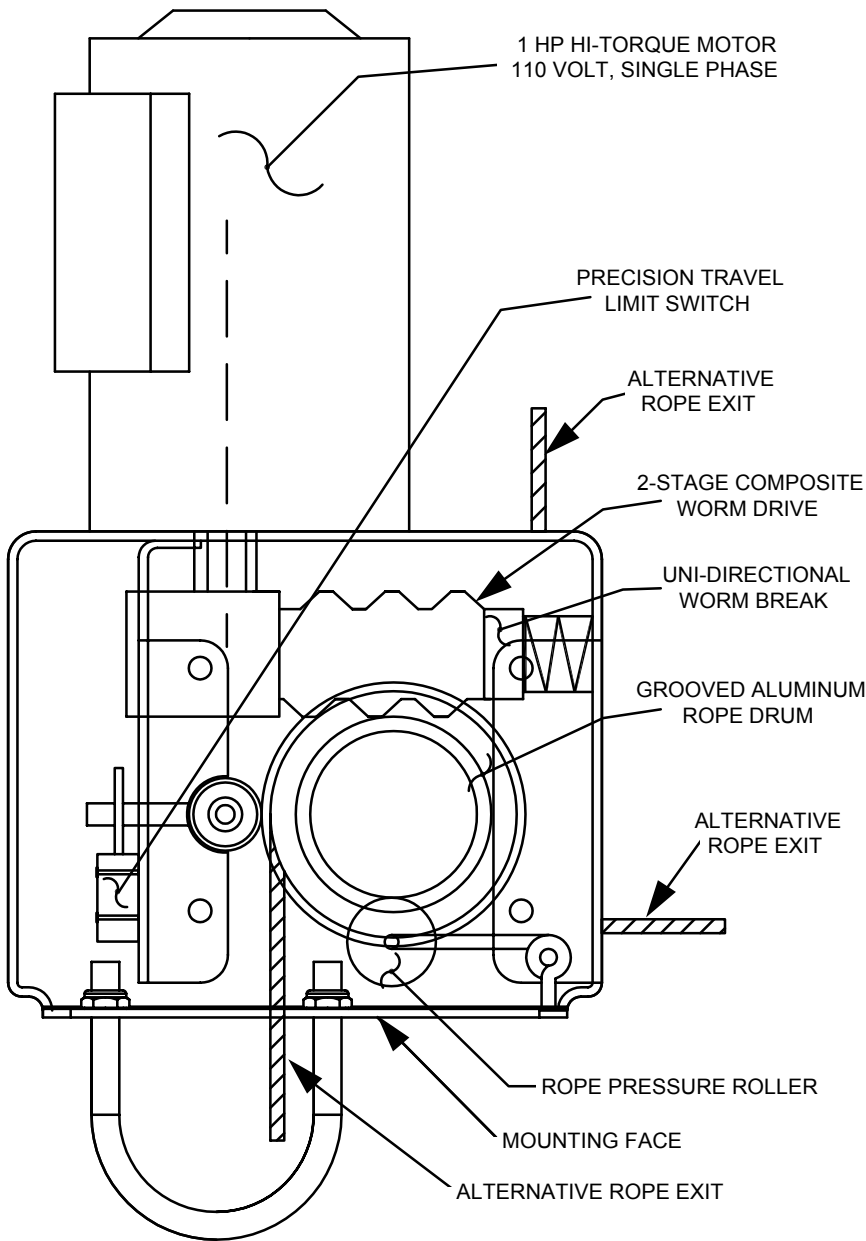




TW-2000 - TorkWinch® ELECTRIC BACKSTOP POSITIONING WINCH



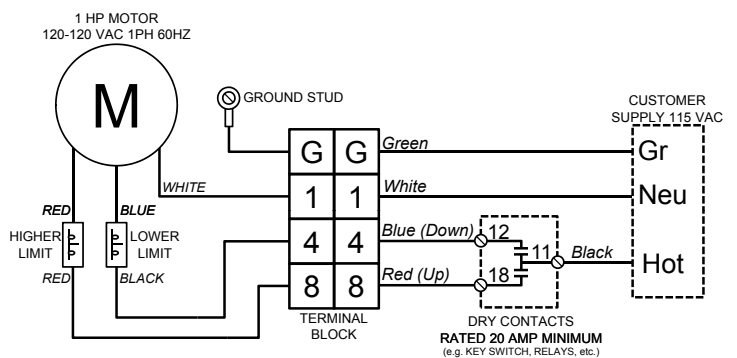
PROJECT NAME _____

PROJECT NUMBER _____

ARCHITECT _____

CONTRACTOR _____

NOTES _____



TW-2000

ELECTRIC BACKSTOP POSITIONING WINCH

© COPYRIGHT 2014 JAYPRO SPORTS, LLC. ALL RIGHTS RESERVED
THIS PRINT IS THE PROPERTY OF JAYPRO SPORTS, LLC. AND MAY
NOT BE REPRODUCED WITHOUT WRITTEN PERMISSION

www.jaypro.com
(800) 243-0533
976 Hartford Turnpike
Waterford, CT 06385 USA

Sheet 1 of 2



SPECIFICATION SHEET

The basketball positioning TW-2000 *TorkWinch*[®] shall be a definite purpose electric winch designed specifically for use on basketball backstop positioning applications. The TW-2000 shall be designed to the highest standards in terms of safety, simplicity of installation, space efficiency, attractive appearance and ease of use.

The TW-2000 shall position the backstop by raising and lowering the basketball unit. The TW-2000 shall be driven by a 1 HP, instantly reversing, 110 volt, single phase electric torque motor utilizing a 3-wire control system. The backstop winch shall deliver at least 800 lbs. / 363 kg. of line pull at a speed of 11 feet / 3.4 meters per minute and be load tested to 2100 lbs. of line pull.

The drum shall be grooved for a 1/4" 7 x 19 aircraft cable to facilitate smooth take-up of the cable and proper spooling of the cable and shall travel 25 feet / 7.7 meters on one (1) layer, 45 feet / 13.7 meters on two (2) layers. Drum shall be directly supported at the cable winding diameter for maximum strength and rigidity. Drum shall be supplied with a pressure roller, with torsion spring tensioning, to ensure that the cable "tracks" in the grooves even under slack cable conditions. The TW-2000 shall employ a double worm reduction system and uses composite material to provide superior strength and life as well as being completely oil-free. The TW-2000 shall require no liquid lubricants and no V belts or chains thereby eliminating maintenance to the owner while increasing safety. The TW-2000 shall have a unique uni-directional worm brake, together with the inherently self locking composite worm drive, assures positive dynamic braking and reliable holding of the cable drum.

The TW-2000 shall have integral adjustable upper and lower travel limit switches making the setting of stop positions easy and accurate. A special 3:1 speed-increasing drive to the limit switch drive screw increases the precision and repeatability of the settings. The TW-2000 shall utilize a flush mounted, 3-position key switch insuring that the motor cannot be switched both up and down simultaneously. Additional operators are available and must be specified at time of order or specification. Wiring of all electrical components shall be in accordance with national and local electrical codes, as well as specific wiring instructions provided by Jaypro.

The TW-2000 shall utilize a specially designed torque motor for increased line pull and increased motor reliability. Shall also incorporate a built in thermal overload switch with automatic reset.

TW-2000 shall be furnished with a universal type mounting bracket to fit on 3-1/2" O.D. pipe mounted either parallel or perpendicular to the unit. TW-2000 may be hung right side up or upside down and shall allow for cable pull direction to come from any one of three different directions.

WARRANTY

TW-2000 shall have a one (1) year replacement warranty on all defects in material and workmanship. Any winch without this warranty does not meet these specifications and should not be considered equal.

OPTIONAL CONTROLLERS

- MEC PAD Master Equipment Controller (*Refer to MEC-99 Specification Sheet*)
- ETEC Easy Touch Equipment Controller (*Refer to ETEC Specification Sheet*)
- TMX-DRX Radio Controller (*Refer to TMX-DRX Specification Sheet*)