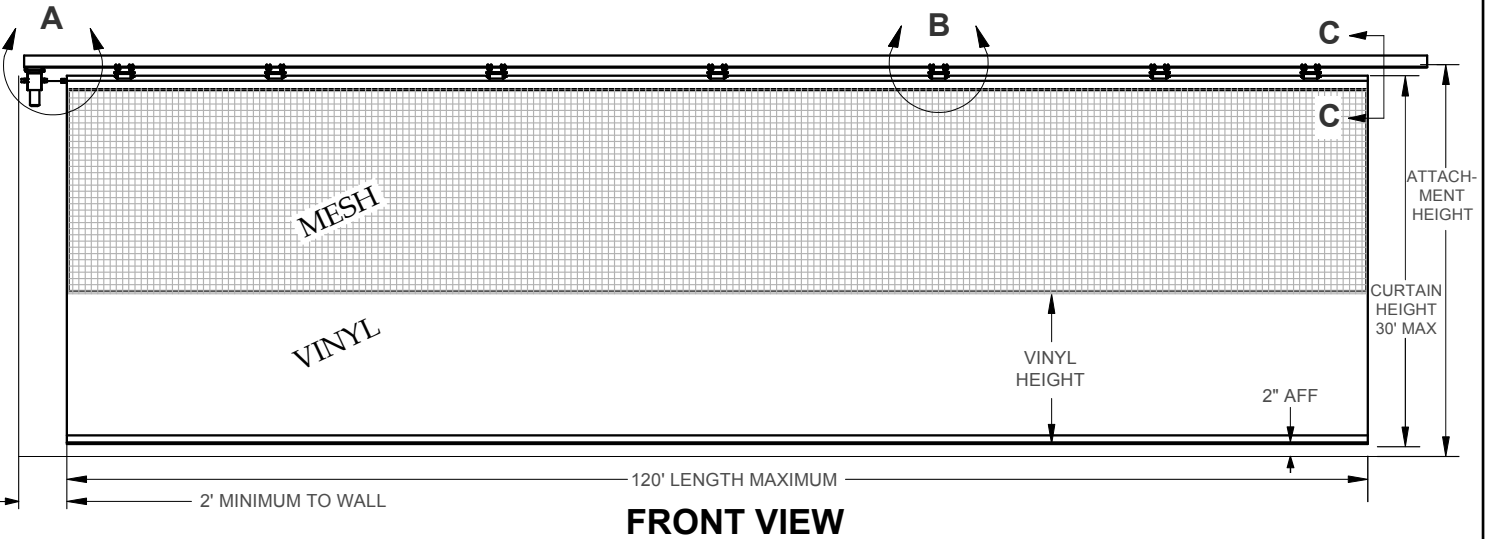
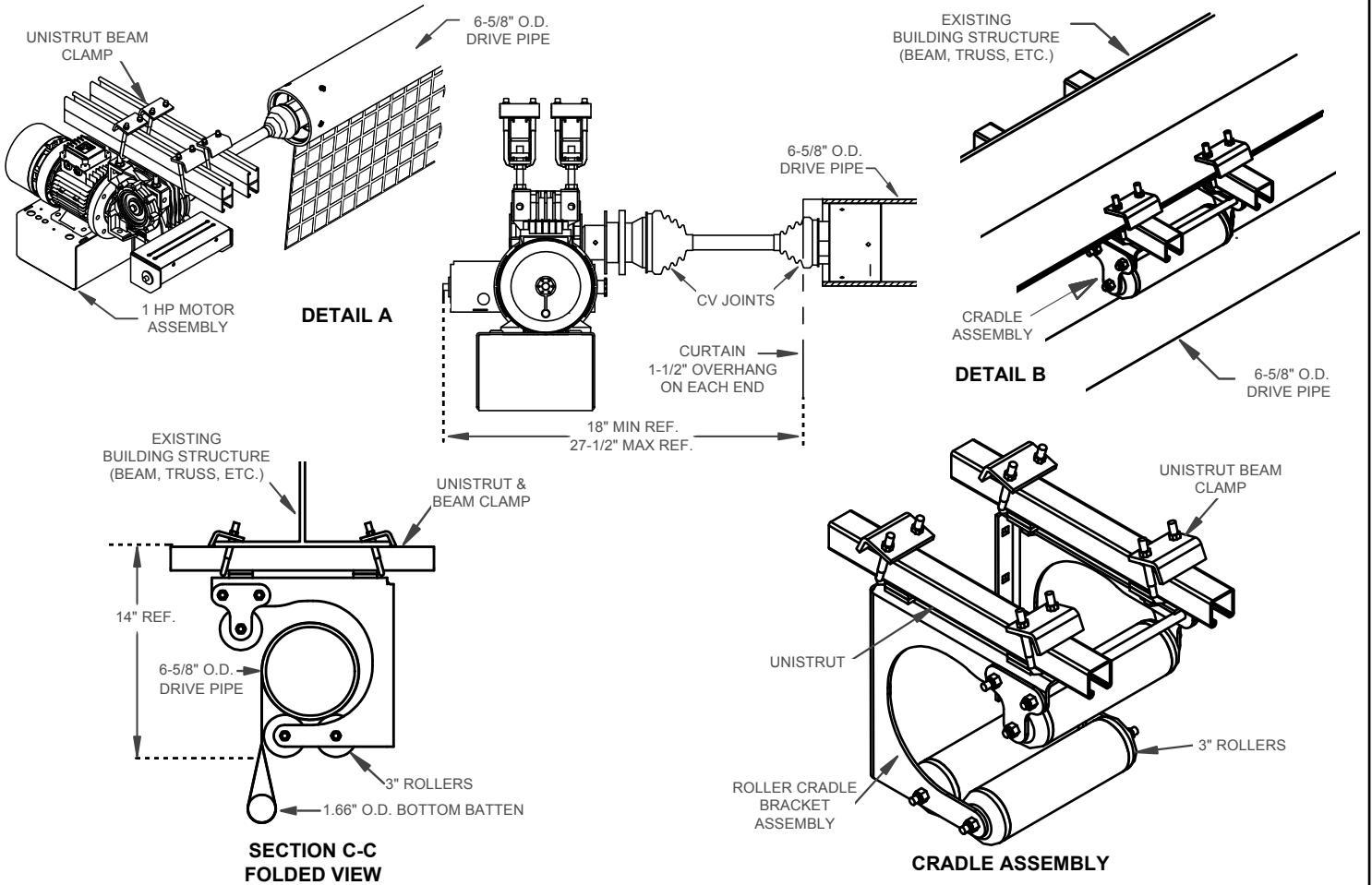




TC-701 CEILING SUSPENDED TOP ROLL DIVIDER CURTAIN



PROJECT NAME _____

ARCHITECT _____

PROJECT NUMBER _____

CONTRACTOR _____



TC-701
 TOP ROLL GYMNASIUM DIVIDER CURTAIN
 © COPYRIGHT 2014 JAYPRO SPORTS, LLC. ALL RIGHTS RESERVED
 THIS PRINT IS THE PROPERTY OF JAYPRO SPORTS, LLC. AND MAY NOT BE REPRODUCED WITHOUT WRITTEN PERMISSION

www.jaypro.com
 (800) 243-0533
 976 Hartford Turnpike
 Waterford, CT 06385 USA
 Sheet 1 of 2



CURTAIN SPECIFICATION SHEET

CURTAIN

The TC-701 is a top roll curtain and is available in the following conditions:

- Solid lower section and mesh upper section (recommended)
- All solid
- All mesh

Lower section of curtain shall be 18 oz. solid vinyl coated polyester (per square yard). Vinyl shall be washable and resistant to fade, rot, mildew, and fungus. Vinyl shall have fire retardant ratings to meet all requirements of NFPA 701 (Test Method 2), ASTM-E-84-Class A, and State of California test requirements. All seams to be electronically RF welded horizontally with a full 1" contact weld for resistance to tearing and breakaway. Outer edge hems shall be triple turned with double welds. An 8" padded pocket shall be formed along the bottom edge of the curtain to accommodate a 1-1/4" nominal (1.66" \varnothing) bottom batten. Color and height of vinyl shall be as specified by the owner.

Upper section of curtain shall be 9 oz vinyl coated woven polyester mesh (per square yard). Mesh shall be washable and resistant to fade, rot, mildew, and fungus. Mesh shall have fire retardant ratings to meet all requirements of NFPA 701 (Test Method 2), State of California test requirements, and Federal Standard 191 (5903.2) (Method Vertical). All seams to be electronically RF welded horizontally with a full 1" contact weld for resistance to tearing and breakaway. Outer edge hems shall be triple turned with double welds. Color of mesh shall be as specified by the owner.

LIFTING MECHANISM AND SUPPORT STRUCTURE

Curtain shall be raised and lowered by means of a UL listed, 1HP 110VAC 60hz single-phase compensating type instantly reversible winch. Winch shall be capacitor start with built in thermal overload protection. Winch shall be direct drive, self lubricating gearing and require neither belts nor oil baths. Winch shall be Jaypro model TW2500. The top edge of the curtain shall be directly attached to 6-5/8" OD drive pipe. The use of belts, counter balance straps, wall guides, or cables shall not be acceptable and will not be approved as equal.

The roll tube shall be supported approximately every 8'-0" OC by means of a specially designed cradle assembly. The cradle assembly shall consist of laser-cut end support brackets and three hard plastic continuous rollers. Two bottom rollers support the roller tube and one top roller insures that the roll tube is secure within the support bracket. Cradle assemblies with rollers straddling the center support bracket shall not be approved as equal. Suspension from existing roof structure must be accomplished with clamp style fittings furnished by the manufacturer.

CONTROL OPTIONS

Winch shall be provided standard with a three-position momentary contact key switch and polished wall plate. Switch shall fit into a device box supplied by others (3" x 2-1/4" x 2-1/2" H x W x D). Integral upper and lower limit switches shall control the upper and lower travel of the curtain. Optional control of the curtain can be accomplished with the following systems:

- ETEC Easy Touch Equipment Controller (*Refer to ETEC Specification Sheet*)
- MEC PAD Master Equipment Controller (*Refer to MEC-99 Specification Sheet*)
- TMX-DRX Wireless Radio Remote (*Refer to TMX-DRX Specification Sheet*)

Ground all devices per the National Electric Code (NEC). All wire and wiring to be supplied by other and installed by a qualified Electrical Contractor. Wiring to be in accordance with all national and local electrical codes.

COLOR OPTIONS

18 oz. Vinyl: White / Black / Grey / Red / Maroon / Yellow / Dark Royal Blue / Marine Blue / Forest Green / Kelly Green / Beige / Orange

22 oz. Vinyl: Grey / Dark Royal Blue / Red

9 oz. Mesh: White / Black / Grey / Red / Yellow / Blue & Black Weave

WARRANTY

The total curtain system shall be guaranteed against defects in material and workmanship for a period of one (1) year. Other components may be covered by their own extended warranty.