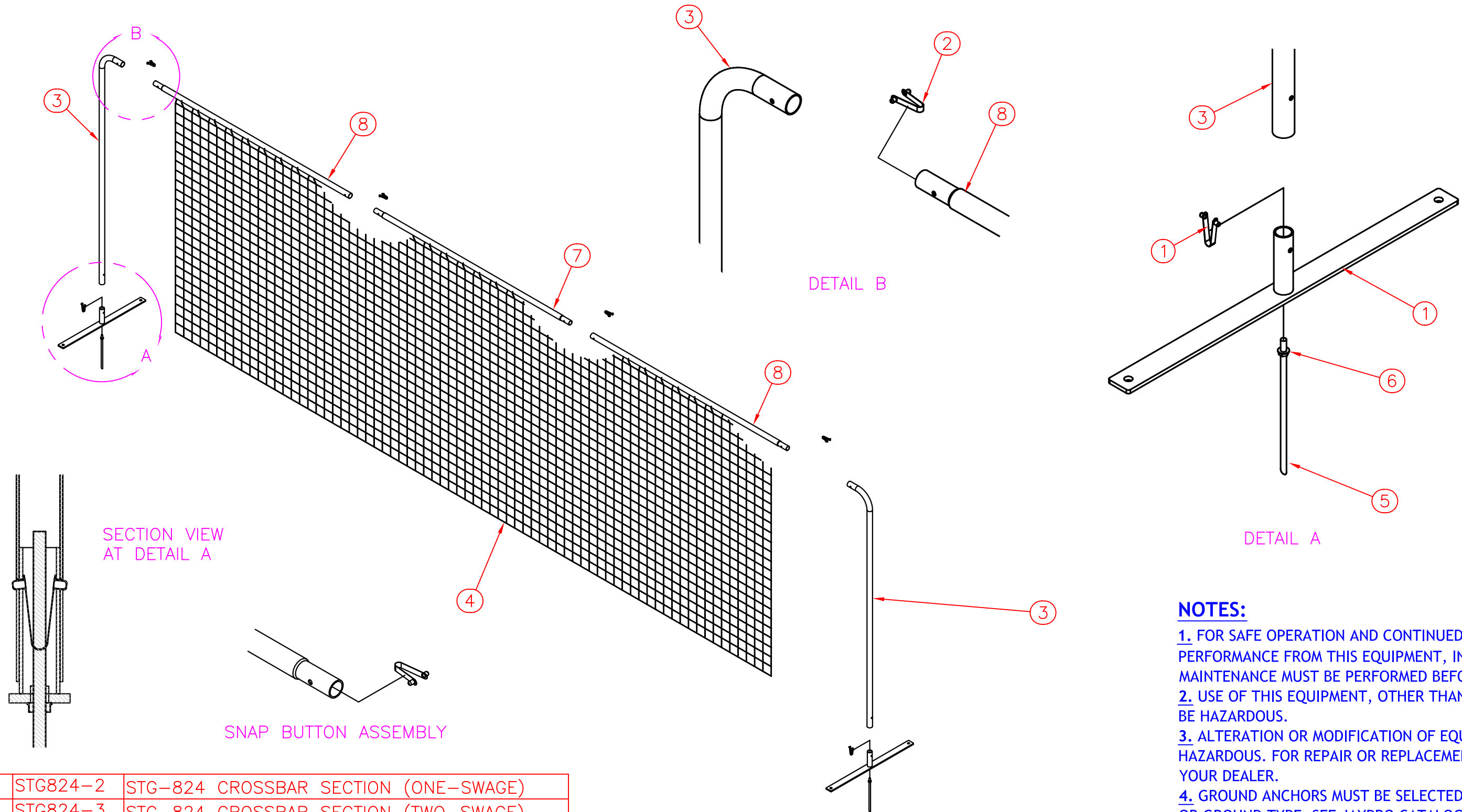


REV	DESCRIPTION	DATE	BY
A	INITIAL RELEASE FOR MANUFACTURING	2/21/07	KMT
B	MODIFIED PIPE LENGTH IN THREE SEGMENTS	12/15/09	MouneT

Call Jaypro Sports Equipment at 1-800-243-0533 during regular business hours for technical support.

www.jaypro.com

STG-824



SECTION VIEW AT DETAIL A

DETAIL B


DETAIL A

SNAP BUTTON ASSEMBLY

NOTES:

1. FOR SAFE OPERATION AND CONTINUED HIGH PERFORMANCE FROM THIS EQUIPMENT, INSPECTION AND MAINTENANCE MUST BE PERFORMED BEFORE EACH USE.
2. USE OF THIS EQUIPMENT, OTHER THAN INTENDED, MAY BE HAZARDOUS.
3. ALTERATION OR MODIFICATION OF EQUIPMENT MAY BE HAZARDOUS. FOR REPAIR OR REPLACEMENT, PLEASE CALL YOUR DEALER.
4. GROUND ANCHORS MUST BE SELECTED BASED ON SOIL OR GROUND TYPE. SEE JAYPRO CATALOG FOR SELECTION. OPTIONAL WHEEL KIT AVAILABLE FOR INDOOR USE.
5. NET IS ATTACHED BY WEAVING FRAME PIPES IN AND OUT OF TOP AND SIDE EDGES OF NET.

8	2	STG824-2	STG-824 CROSSBAR SECTION (ONE-SWAGE)
7	1	STG824-3	STG-824 CROSSBAR SECTION (TWO-SWAGE)
6	2	HN5038	FLANGE NUT 1/2
5	2	SR5349	SINGLE END ROD 1/2-13 x 14"
4	1	STG824N	NET STG-824
3	2	STG824-1	STG-824 UPRIGHT
2	7	HM5051	VALCO SNAP BUTTON D-183, OR EQUAL
1	2	STGBK-2	WELDED GROUND BASE ASSEMBLY
ITEM	QTY	NAME	DESCRIPTION

	DRAWING NAME: STG-824	CHECKED BY: WVB	
	SOCCER TRAINING GOAL 8' x 24'		
DRAWN BY: KMT	ISSUE DATE: 7/27/06	REV. B	REV. DATE: 12/15/09