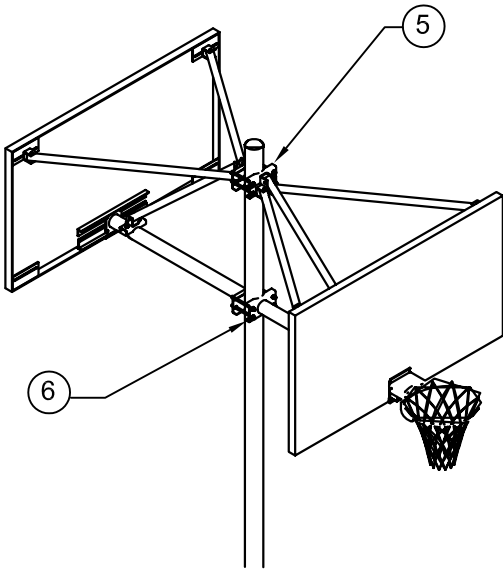


SPA-D-4

DOUBLE/Vertical Post

4' Extension



Easy to install and virtually maintenance free, The out rigger/strut design allows you to set your playing height without compromising strength and stability. Galvanized steel structure is a durable finish. The system is designed for safety, with the 4' outrigger design. See selection chart for backboard and goal combinations.

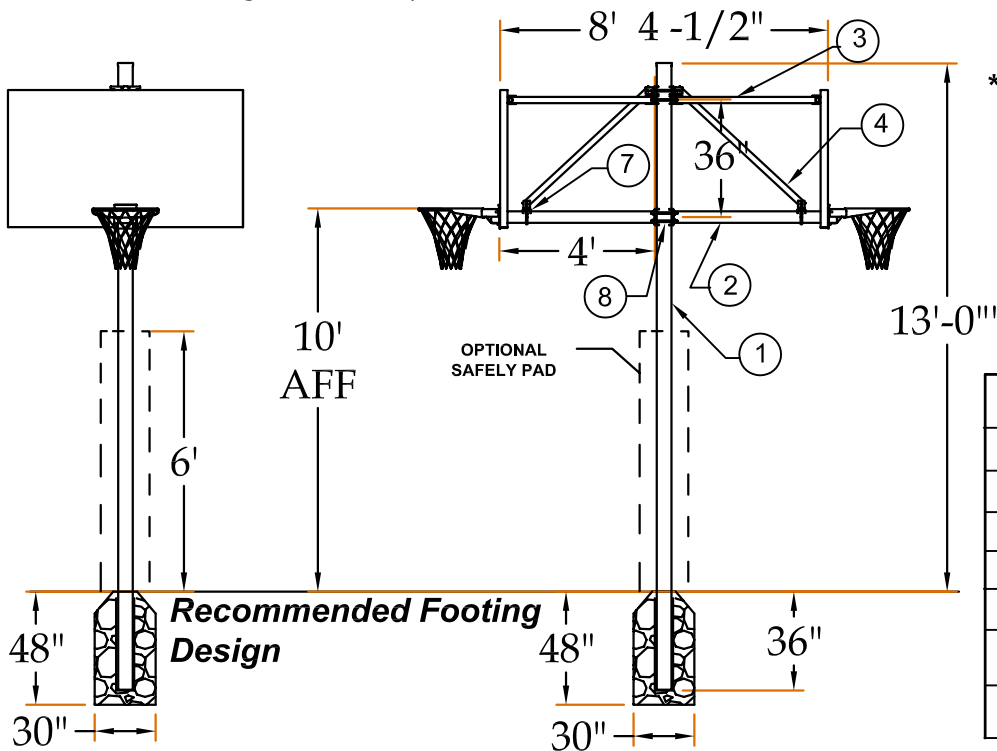
Shown: Model No. SPA-D-4
(4-1/2" diameter pole, 4' extension, rectangular board)

Boards:

- ALBT-24BT - Fan Aluminum
- 850-RB-BB - Rect Steel
- SR-PERF - Steel Perf
- PERB-2 - 42" Rect Polyethylene

Goals:

- GBSG-50 - Super Goal
- UBG-500 - Ultimate Playground
- GB-55FL - Competitor Side Court Flex



**Powder Coating Available*

1	4 1/2" O.D. Hvy wall 16'
2	3 1/2" O.D. Schedule 40
3	1.900" O.D.x.065"x48.5"
4	1.900" O.D.x.065"x45.5"
5	4 1/2" O.D. Pipe clamp
6	4 1/2" Saddle Bracket
7	3 1/2" Saddle Bracket
8	3/8"-16 Threaded rod

REV.	DESCRIPTION	DATE	BY

COPYRIGHT 2003
JAYPRO SPORTS, LLC.
ALL RIGHTS RESERVED

**DOUBLE / VERTICAL POST
4' EXTENSION
Outdoor Basketball System**

THIS PRINT IS THE PROPERTY OF JAYPRO SPORTS, LLC.
AND MAY NOT BE REPRODUCED WITHOUT WRITTEN PERMISSION

www.jaypro.com
976 HARTFORD TURNPIKE
WATERFORD, CT 06385 USA

DRAWING NAME / PART NO.: SPA-D-4	
DRAWN BY: MT	CHK'D BY: BS
ISSUE DATE: 9-27-04	
SHEET: 1 OF 1	REV. A