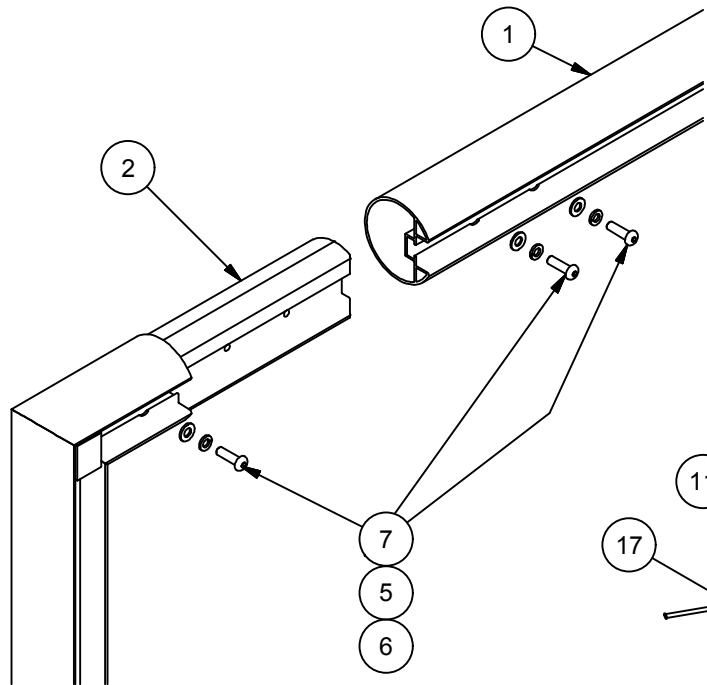
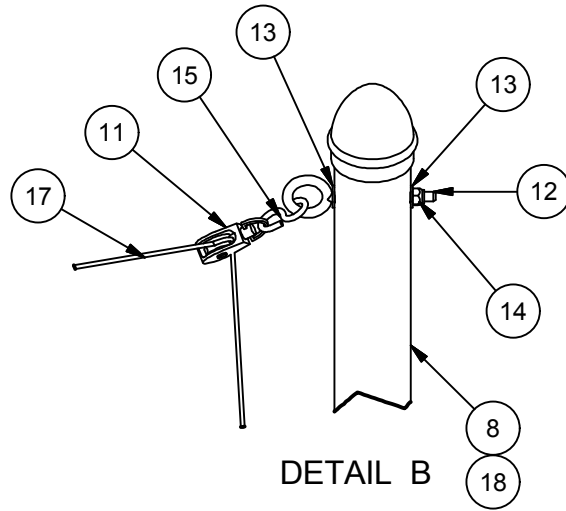


REV	DESCRIPTION	DATE	BY
-	INITIAL RELEASE	3/29/2010	Moune T.
A	NEW EXTRUSION	2/4/2011	Moune T.

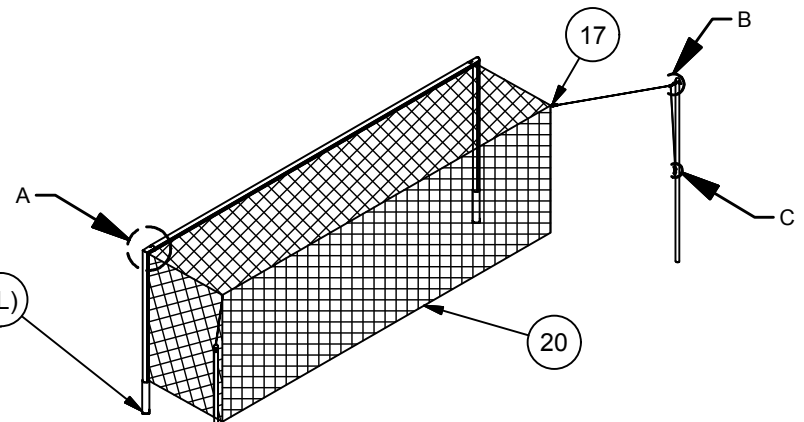


DETAIL A

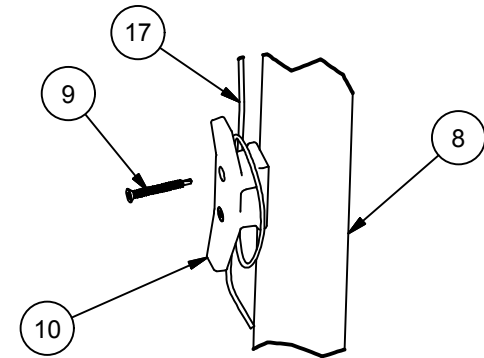


DETAIL B

4 (SEE FOOTING DETAIL)

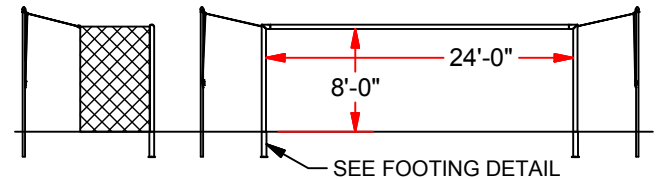


NOTE:  
SNAP HOOK (ITEM # 17) IS ATTACHED TO UPPER REAR CORNERS OF SOCCER NET AND THE CORD IS PULLED TAUT TO DRAW THE NET BACK. SECURE CORD TO CLEAT (ITEM # 10).



DETAIL C

ITEM	QTY	PART #	REV	DESCRIPTION	ITEM	QTY	PART #	REV	DESCRIPTION
10	2	RP5022	N/A	ROPE CLEAT 5" BLACK NYLON #043050	1	1	SG-001X	-	4" SOCCER CROSSBAR, x 280" L W/ WHITE POWDER COAT FINISH
11	2	HM4111	N/A	PULLEY SWIVEL 1" #0173	2	1	SGP-550USR	-	RIGHT UPRIGHT FOLDING GOAL
12	2	HB201	N/A	5/16"-18 x 4" EYEBOLT	3	1	SGP-550USL	-	LEFT CORNER FOLDING GOAL
13	4	HW2049	N/A	5/16" FLAT WASHER SAE, ZP	4	2	SGP-445G	B	GROUND SLEEVE WELDMENT (OPTIONAL)
14	2	HN261	N/A	5/16"-18 HEX HD LOCKNUT, ZP					
15	2	HM6005	N/A	S-HOOK UNEQUAL #SH-51 PGLV	5	6	HW334	N/A	3/8" MEDIUM SPLIT LOCK WASHER, ZP
16	1	CR0016	N/A	1/8" DIAMOND BRAID BLACK NYLON ROPE x 100 FT	6	6	HW2047	N/A	3/8" SAE FLAT WASHER, ZP
					7	6	HS5225	N/A	3/8"-16 x 1 1/4" BUTTON HEAD, SS
17	2	HM5013	N/A	SNAP HOOK EG 1/4x2 3/8 #156060	8	2	SGP-550BP	-	BACK POSTS SGP-550 W/ END CAP
18	2	FBSC-300G	N/A	GROUND SLEEVE FTBL/SOC GL FBSC-300	9	4	HS5241	N/A	FLAT HEAD PHILL SELF-DRILLING #10-16 THREAD, 1-3/4" LENGTH, DRILL POINT #3
19	25	HM4104	N/A	NET STAKE 1/4" x 9" L					



MODEL NUMBER: SGP-550	CHECKED BY: WVB	
PRODUCT NAME: OFFICIAL ALUMINUM PERMANENT / SEMI-PERMANENT SOCCER GOAL		
DATE: 2/4/2011	REV: A	DRAWN BY: Moune T.

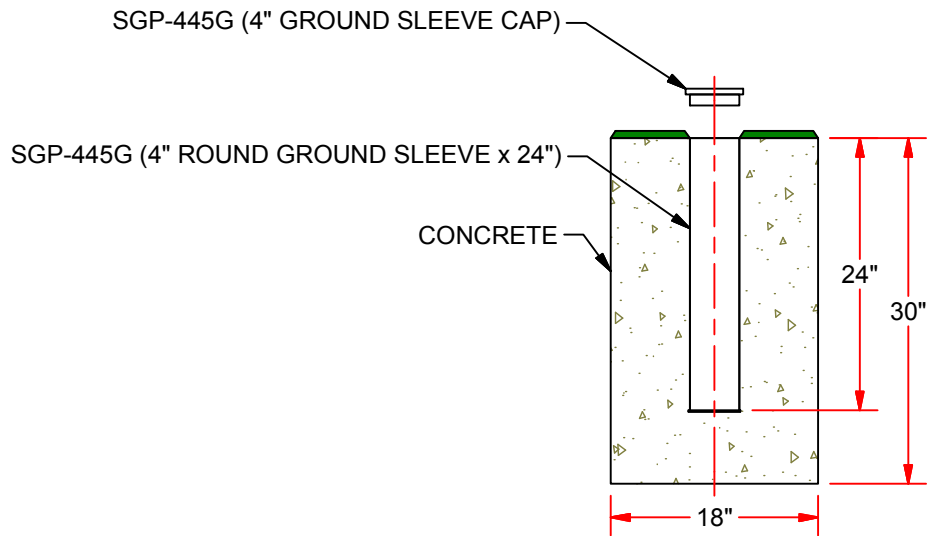
# JAYPRO SPORTS

SEMI-PERMANENT / PERMANENT WORLD COMPETITION GOAL, SGP-550

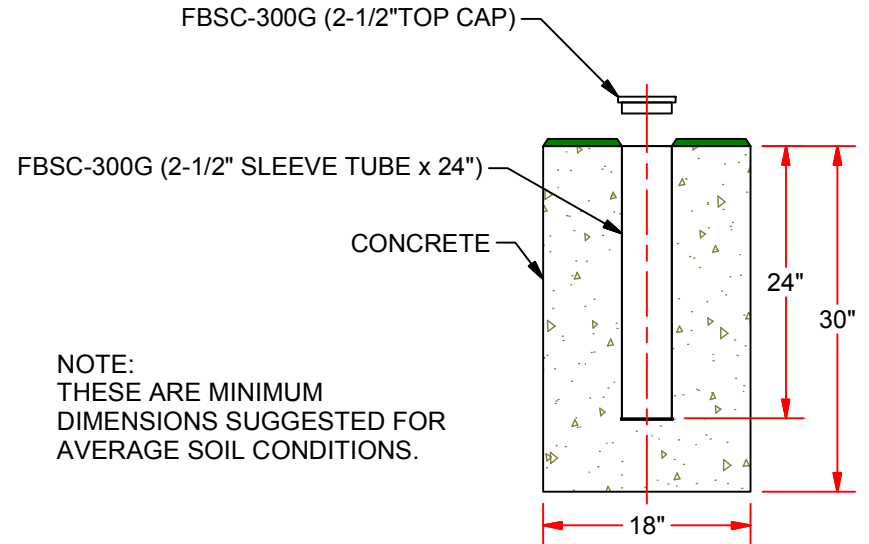
## ASSEMBLY INSTRUCTIONS

TOOLS REQUIRED: BOX WRENCHES OR MED. ADJUSTABLE WRENCH  
PHILLIPS HEAD SCREW DRIVER  
7/32" ALLEN WENCH  
PLIERS  
STEP LADDER

- 1) Lay-out footing locations as shown and dig footings to the minimum dimensions indicated. This may require the services of a qualified contractor familiar with local building codes. To assure a proper alignment of the goal facing within the footing, it is necessary to assemble the uprights (2 & 3) to the crossbar (1) before cementing the structure into place. Lay the crossbar (1) onto the ground and position the uprights. Push the uprights firmly into each end of the crossbar (1) and make sure each insert is fully seated, then assemble with machine screw (7) and washers (5 & 6) as shown in the illustration.
- 2) Semi-permanent installation:  
Slip the ground sleeves onto the bottom of each upright and lower the assembled goal facing into the footings. Block beneath and around the sleeves, plumb the structure and pour the footing. Check that the ground sleeves do not stick above the playing surface and that there is 8' from the playing surface to the underside of the crossbar. Brace the structure to assure that it doesn't shift during the curing process. Follow the same general procedure for back post sleeves. Allow footings to fully cure before final assembly and use of the goal.
- 3) Permanent installation :  
Lower the assembled goal facing into the footings. Block beneath and around the sleeves, plumb the structure and pour the footing. Check that the ground sleeves do not stick above the playing surface and that there is 8' from the playing surface to the underside of the crossbar. Brace the structure to assure that it doesn't shift during the curing process. Follow the same general procedure for back post sleeves. Allow footings to fully cure before final assembly and use of the goal.
- 4) See separate "net clip installation diagram" provided with model number EC-824 easy net clips for process and proper location of net clips.

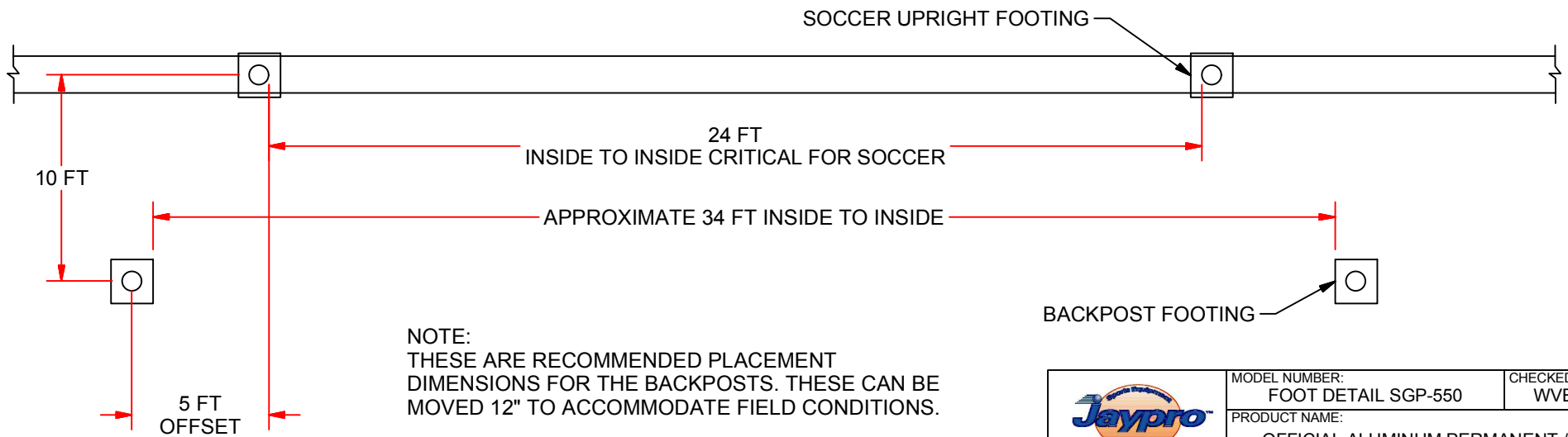


**SOCCER UPRIGHT FOOTING**  
(GROUND SLEEVE OPTIONAL)




**BACKPOST FOOTING**  
(GROUND SLEEVES INCLUDED)

NOTE:  
THESE ARE MINIMUM  
DIMENSIONS SUGGESTED FOR  
AVERAGE SOIL CONDITIONS.



NOTE:  
THESE ARE RECOMMENDED PLACEMENT  
DIMENSIONS FOR THE BACKPOSTS. THESE CAN BE  
MOVED 12" TO ACCOMMODATE FIELD CONDITIONS.

 976 Hartford Turnpike Waterford, CT 06385 USA (800)243-0533 Fax: (800)988-3363 www.jaypro.com	MODEL NUMBER: FOOT DETAIL SGP-550	CHECKED BY: WVB
	PRODUCT NAME: OFFICIAL ALUMINUM PERMANENT / SEMI-PERMANENT SOCCER GOAL	
DATE: 12/13/2010	REV: A	DRAWN BY: Moune T.