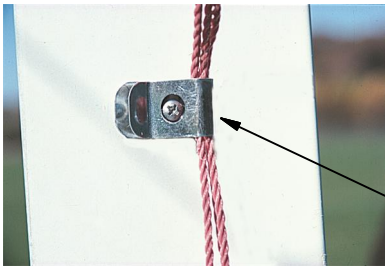


Parts List For A Single Goal

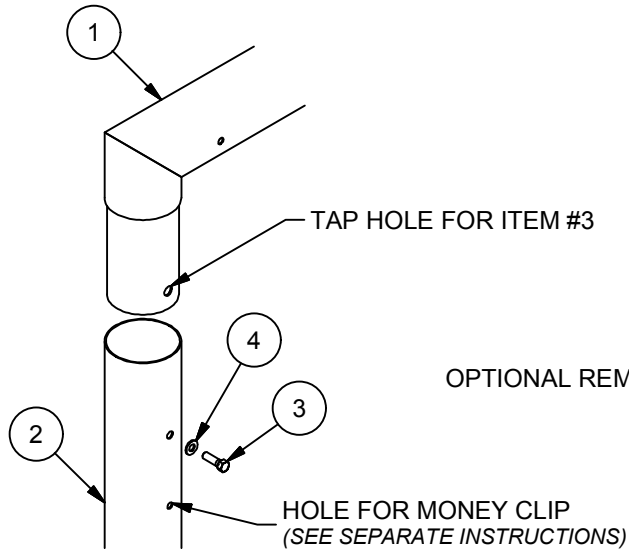
ITEM	QTY	DESCRIPTION
1	1	CROSSBAR
2	2	UPRIGHT
3	2	M10 x 20 mm LONG HEX BOLT
4	2	M11 x 23 mm OD WASHER



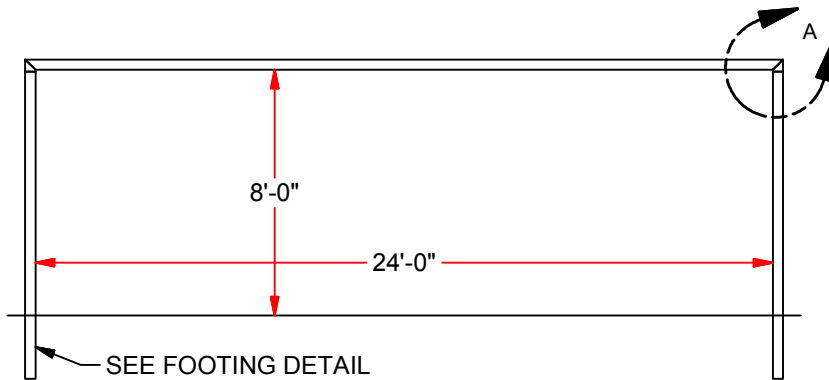
ATTACH NET PEGS  
EVENLY AROUND GOAL



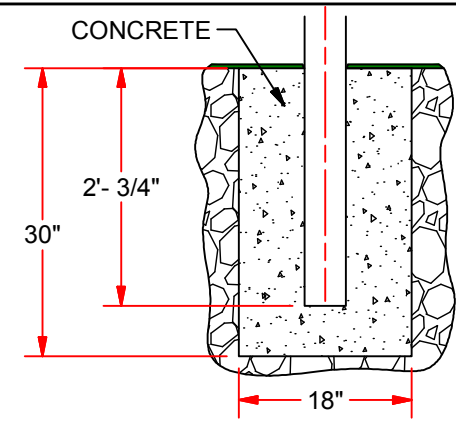
MONEY CLIP  
(SEE SEPARATE INSTRUCTIONS)



**DETAIL A**  
(TYPICAL REAR VIEW CORNER)

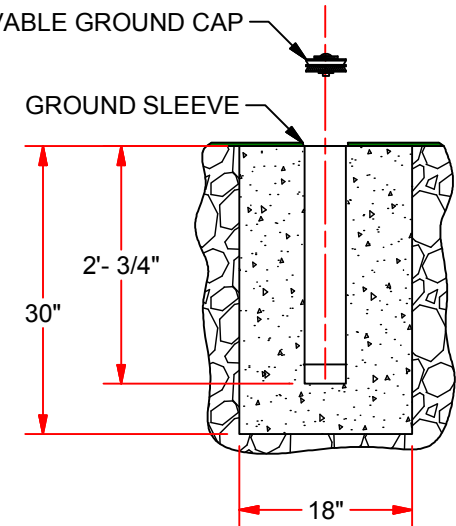


**SGP-200 FRONT VIEW ELEVATION**




**FOOTING DETAIL**  
PERMANENT

OPTIONAL REMOVABLE GROUND CAP



**FOOTING DETAIL**  
(OPTIONAL GROUND SLEEVE  
FOR SEMI-PERMANENT INSTALLATION)

NOTE:  
1) THESE ARE MINIMUM DIMENSIONS FOR AVERAGE SOIL CONDITIONS.

 976 Hartford Turnpike Waterford, CT 06385 USA (800)243-0533 Fax: (800)988-3363 www.jaypro.com	MODEL NUMBER: SGP-200	CHECKED BY: WVB
	PRODUCT NAME: NOVA TEAM ROUND SEMI-PERMANENT INSTALLATION	
DATE: 5/30/2013	REV: -	DRAWN BY: Moune T.
		SHEET: 1 OF 1