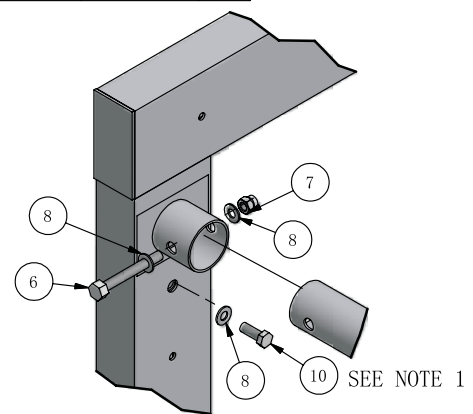
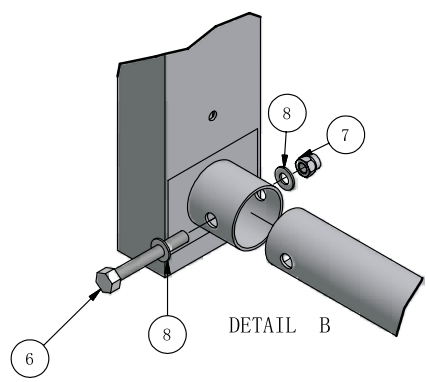


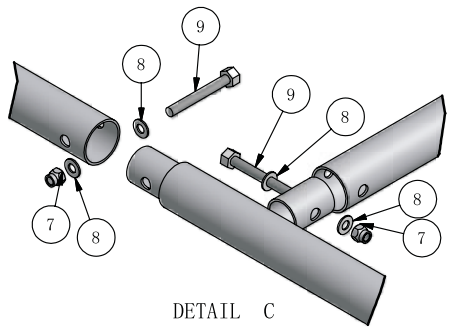
REV	DESCRIPTION	DATE	BY
A	CHANGED HARDWARE TO METRIC	4/28/2010	DRL



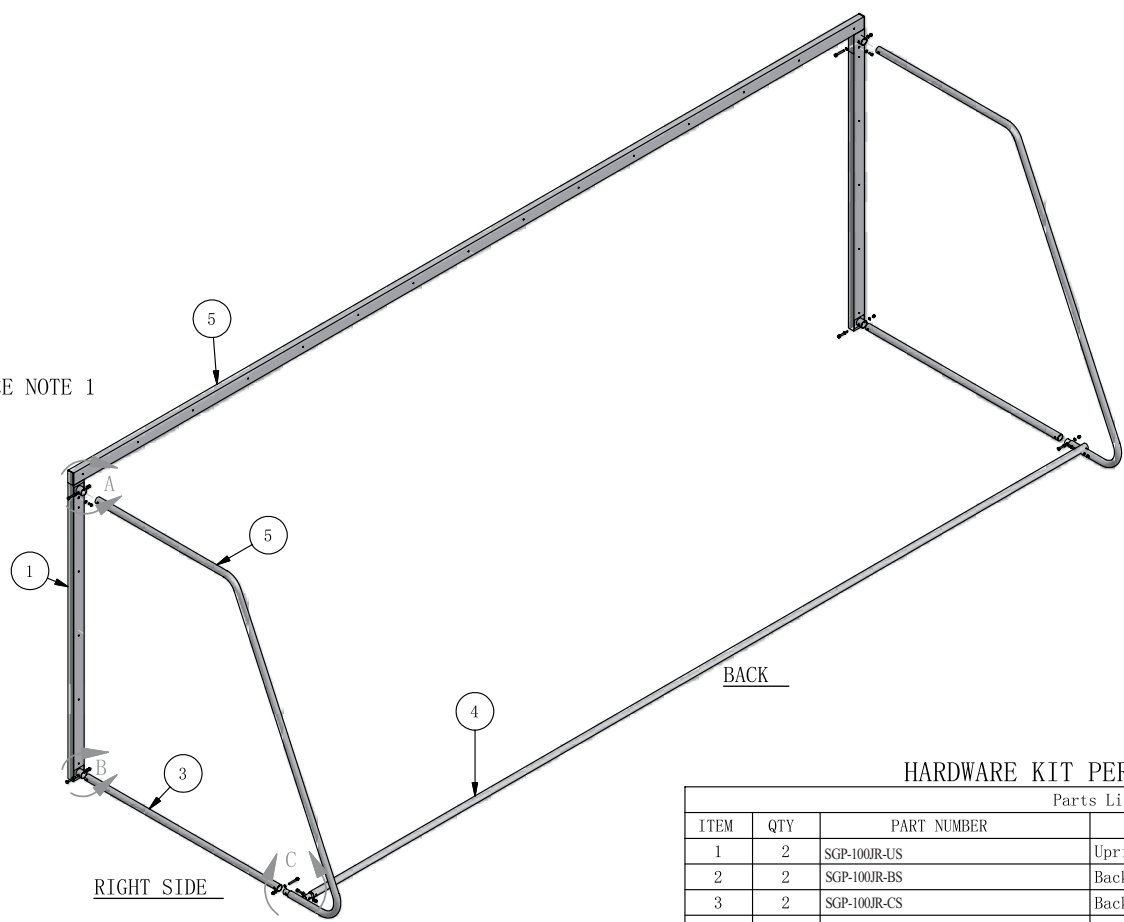
DETAIL A



DETAIL B



DETAIL C



NOTES:
 1. USE OF THREADLOCKER COMPOUND RECOMMENDED
 2. TWO 17 mm WRENCHES NEEDED FOR ASSEMBLY

HARDWARE KIT PER GOAL

Parts List			
ITEM	QTY	PART NUMBER	DESCRIPTION
1	2	SGP-100JR-US	Uprights
2	2	SGP-100JR-BS	Backstay
3	2	SGP-100JR-CS	Backstay Connector
4	1	SGP-100JR-RX	Rear Crossbar
5	1	SGP-100JR-XS	Crossbar
6	4	M10 x 70 mm	Hex Head Bolt
7	8	M10	Lock Nut
8	18	M10	Flat Washer
9	4	M10 x 65 mm	Hex Head Bolt
10	2	M10 x 25 mm	Hex Head Bolt

THIS DRAWING IS THE SOLE PROPERTY OF JAYPRO SPORTS, INC. AND MAY NOT BE REPRODUCED WITHOUT WRITTEN PERMISSION OF JAYPRO.		
PROJECTION METHOD:	TOLERANCES:	
	0. = .13	
	0.0 = .06	
	0.00 = .03	
UNLESS OTHERWISE SPECIFIED		
TITLE:	INITIALS:	DATE:
DESIGNER: DC		7/24/2006
CHECKER: BTS		3/6/2006

JAYPRO SPORTS, LLC, 976 HARTFORD TURNPIKE, WATERFORD, CT 06385 USA



PHONE: 800.243.0533 (TOLL FREE) 860.447.3001 (LOCAL)
 FAX: 800.444.1779 (SALES) 860.440.0628 (ENG.)

SIZE:	SCALE:	REV.:	DRAWING NAME:	PART NUMBER:	SHEET:
			SGP-100JR part list	SGP-100JR	1 OF 1