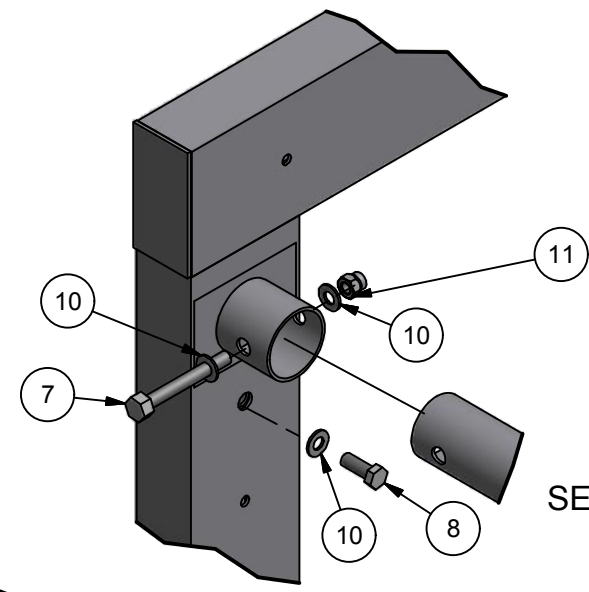
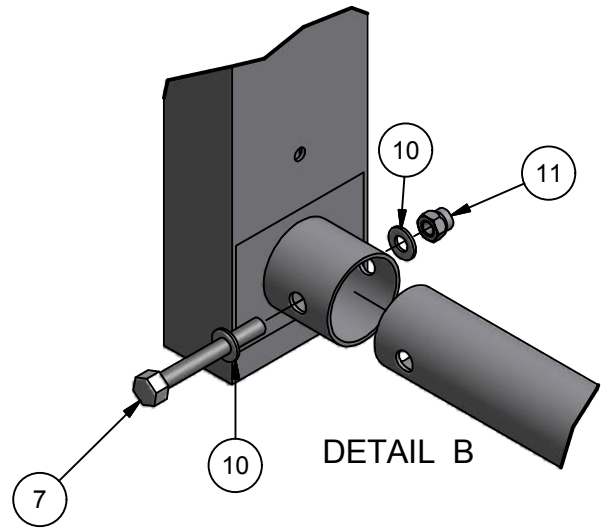


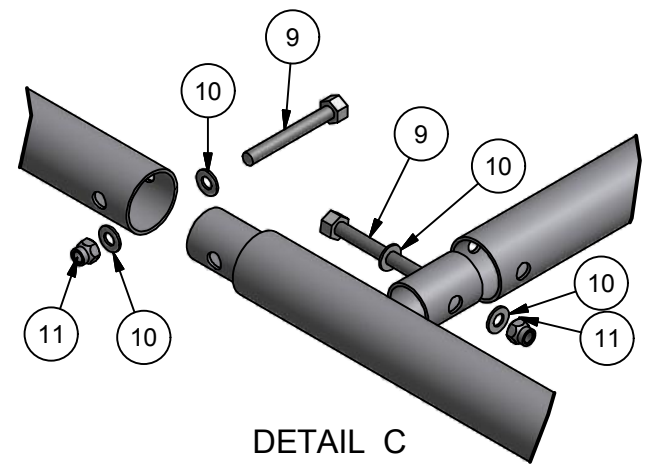
| REV | DESCRIPTION | DATE | BY |
|-----|----------------------------|-----------|-----|
| A | CHANGED HARDWARE TO METRIC | 4/28/2010 | DRL |
| B | UPDATED PART NUMBERS | 5/8/2013 | MT |



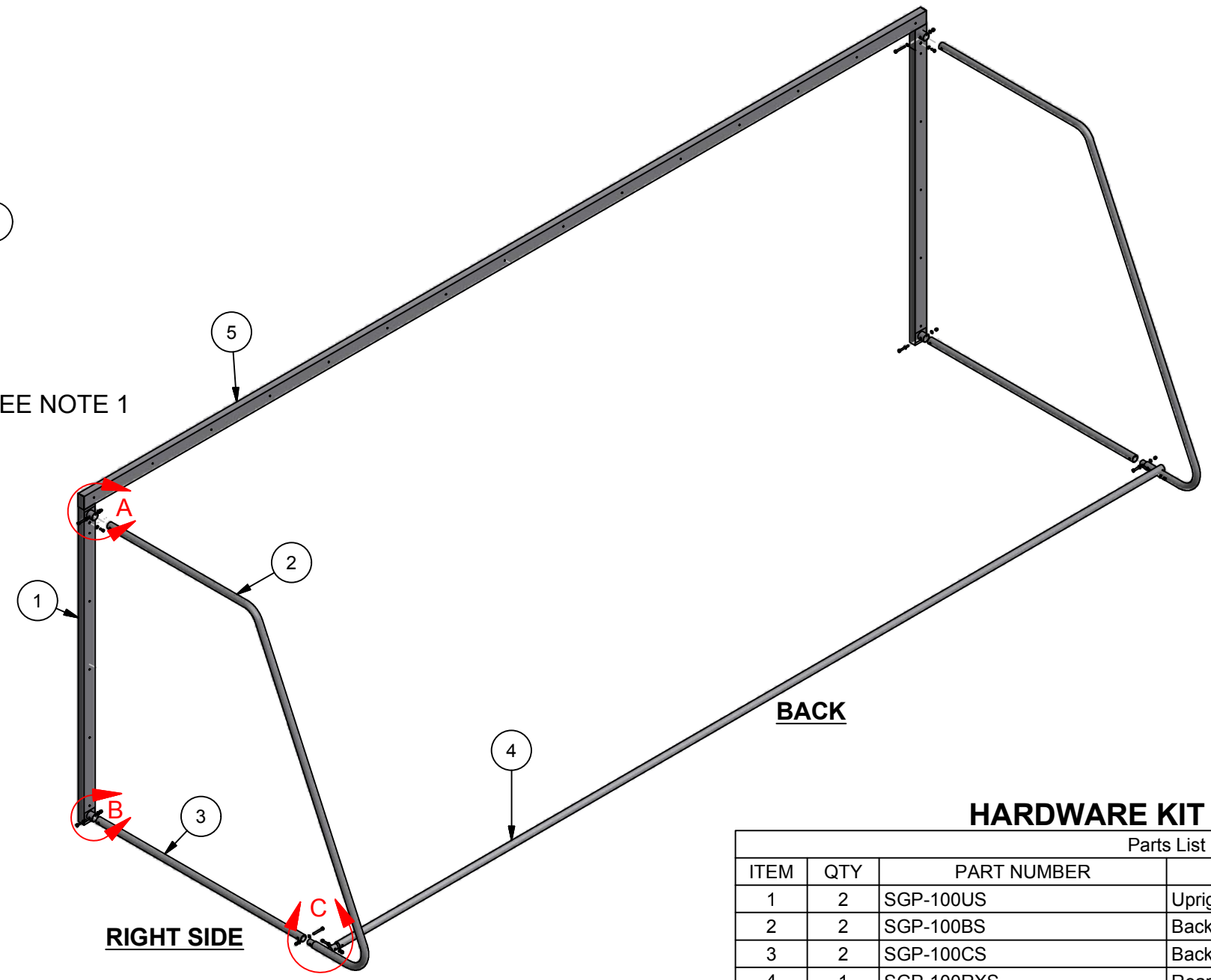
DETAIL A



DETAIL B



DETAIL C



SEE NOTE 1

BACK

RIGHT SIDE

HARDWARE KIT PER GOAL

| Parts List | | | |
|------------|-----|-------------|--------------------|
| ITEM | QTY | PART NUMBER | DESCRIPTION |
| 1 | 2 | SGP-100US | Uprights |
| 2 | 2 | SGP-100BS | Backstay |
| 3 | 2 | SGP-100CS | Backstay Connector |
| 4 | 1 | SGP-100RXS | Rear Crossbar |
| 5 | 1 | SGP-100XS | Crossbar |
| 7 | 4 | M10 x 70 mm | Hex Head Bolt |
| 8 | 2 | M10 x 20 mm | Hex Head Bolt |
| 9 | 4 | M10 x 65 mm | Hex Head Bolt |
| 10 | 18 | M10 | Flat Washer |
| 11 | 8 | M10 | Lock Nut |

NOTES:
 1. USE OF THREADLOCKER COMPOUND RECOMMENDED
 2. TWO 17 mm WRENCHES NEEDED FOR ASSEMBLY

| | | | | | |
|----------------------------|--------|-----------|--------------------|--|--|
| PROJECTION METHOD: | | | TOLERANCES: | | |
| UNLESS OTHERWISE SPECIFIED | | | 0. = .13 | | |
| | | | 0.0 = .06 | | |
| | | | 0.00 = .03 | | |
| TITLE: | | INITIALS: | DATE: | | |
| DESIGNER: | | DC | 7/24/2006 | | |
| CHECKER: | | BTS | 5/8/2013 | | |
| SIZE: | SCALE: | REV.: | DRAWING NAME: | | |
| B | N/A | B | SGP-100 PARTS LIST | | |

JAYPRO SPORTS, LLC, 976 HARTFORD TURNPIKE, WATERFORD, CT 06385 USA



PHONE: 800.243.0533 (TOLL FREE)
860.447.3001 (LOCAL)

FAX: 800.444.1779 (SALES)
860.440.0628 (ENG.)

| | |
|--------------|--------|
| PART NUMBER: | SHEET: |
| SGP-100 | 1 OF 1 |