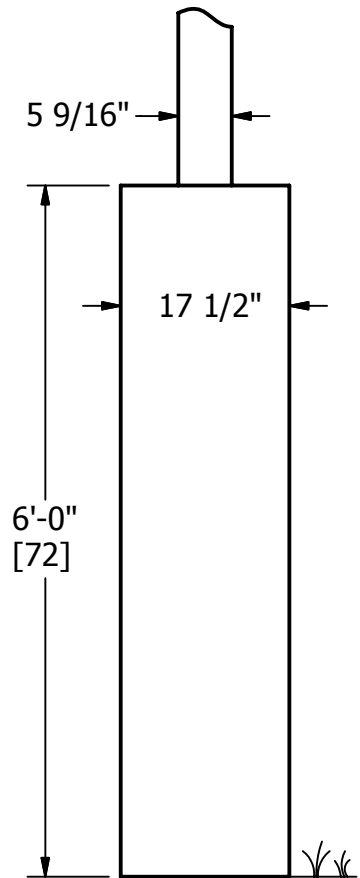
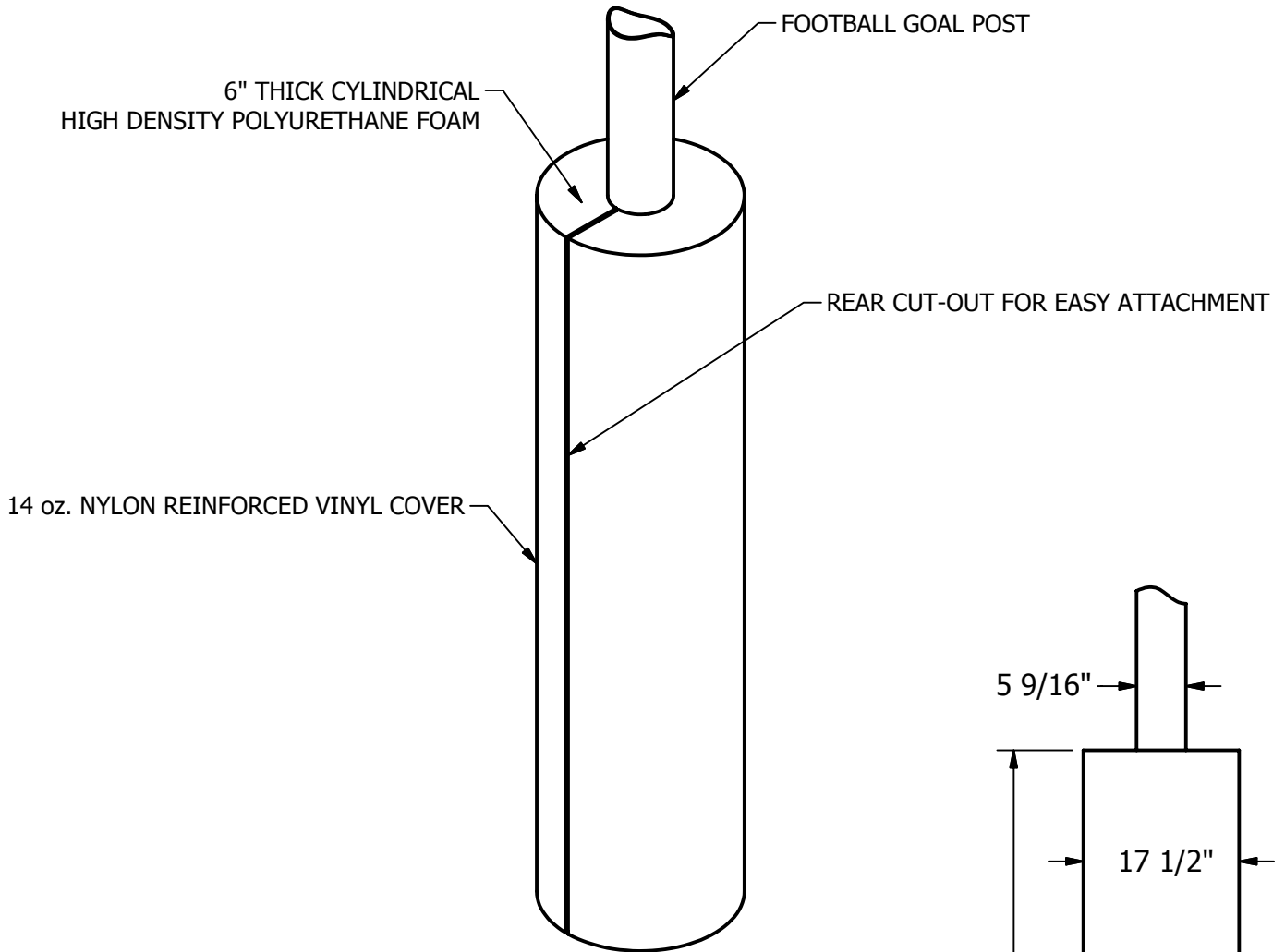


PPP-700

PRO-STYLE ROUND PROTECTOR PAD



FEATURES:

- * FITS A 5 9/16" OD FOOTBALL GOAL POST
- * 6" THICK CYLINDRICAL HIGH DENSITY POLYURETHANE FOAM
- * REAR CUT-OUT FOR EASY ATTACHMENT
- * 14 oz. NYLON REINFORCED VINYL COVER, COMPLETELY ENCLOSES THE FOAM FILLER
- * VINYL COVER HAS FULL LENGTH HOOK & LOOP CLOSURE FLAP

OPTIONS:

* PAD COLORS (PLEASE SPECIFY)

- | | | | | |
|--------------------------------------|--|---------------------------------|--------------------------------|---------------------------------|
| <input type="checkbox"/> BLACK | <input type="checkbox"/> FORESET GREEN | <input type="checkbox"/> RED | <input type="checkbox"/> GREY | <input type="checkbox"/> PURPLE |
| <input type="checkbox"/> KELLY GREEN | <input type="checkbox"/> ROYAL BLUE | <input type="checkbox"/> YELLOW | <input type="checkbox"/> BEIGE | <input type="checkbox"/> MAROON |
| | | | | <input type="checkbox"/> ORANGE |

* CUSTOM PAD LETTERING

- LETTERS ARE SCREENED IN PLACE WITH WHITE ACRYLIC ENAMEL FOR LONG-LASTING USE
- LETTER SIZE DETERMINED BY LENGTH OF NAME
- SIX LETTER MAXIMUM

REV.	DESCRIPTION	DATE	BY
-	INITIAL RELEASE	7/20	MT

PPP-700
PRO-STYLE ROUND
PROTECTOR PAD

www.jaypro.com



FAX: 860.444.1779 (SALES)
860.440.0628 (ENG.)

PHONE: 800.243.0533 (TOLL FREE)
860.447.3001 (LOCAL)

DRAWING NAME / PART NUMBER:

PPP-700

DRAWN BY: Moune T. ISSUE DATE: 7/20/2010

CHK'D BY: WVB

SHEET: 1 OF 1 REV: -

COPYRIGHT 2006
JAYPRO SPORTS, LLC.
ALL RIGHTS RESERVED

THIS PRINT IS THE PROPERTY OF JAYPRO SPORTS, LLC.
AND MAY NOT BE REPRODUCED WITHOUT WRITTEN PERMISSION

JAYPRO SPORTS, LLC, 976 HARTFORD TURNPIKE, WATERFORD, CT 06385 USA