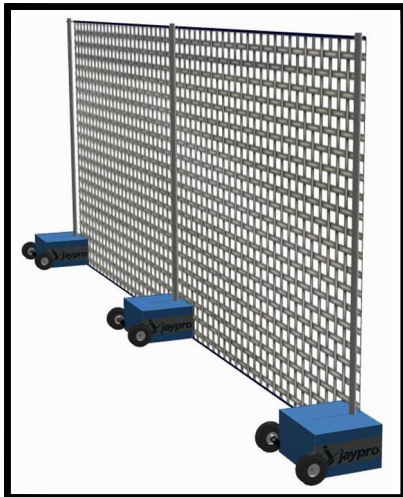
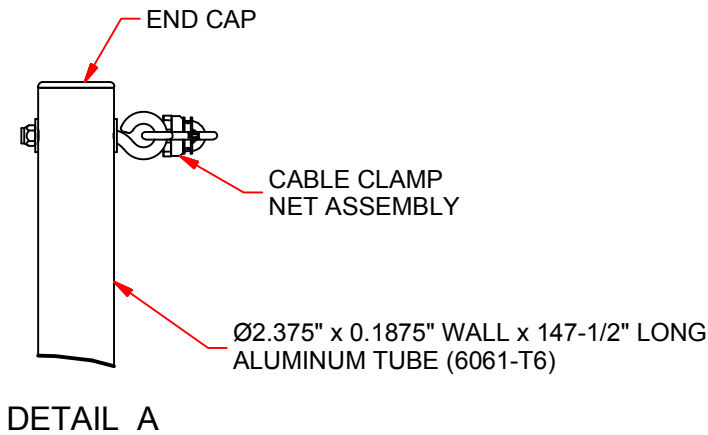


PFN-12

12 FT PORTABLE FIELDPRO NETTING



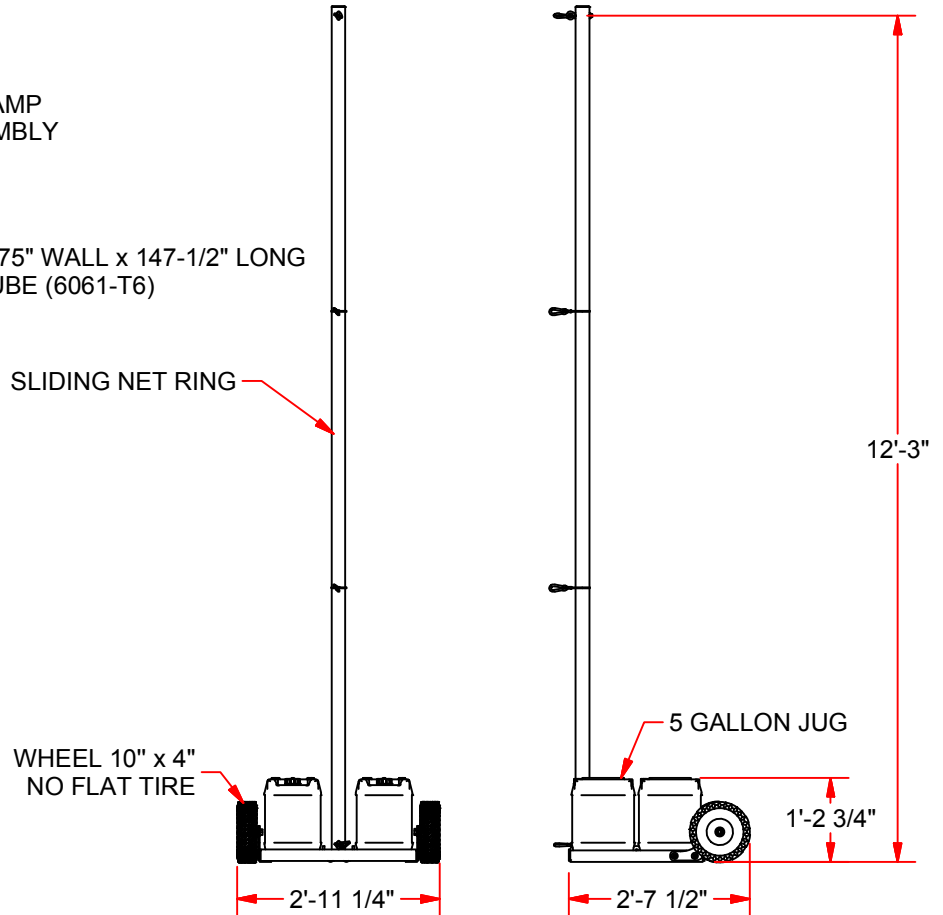
OPTIONAL COVER W/ LOGO
(SOLD SEPARATELY P/N: PFN-BCVR)

FEATURES:

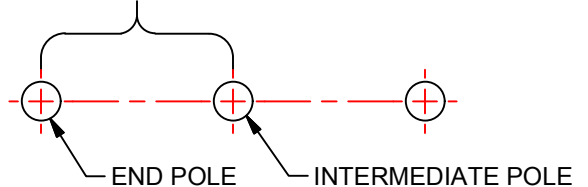
- * Ø2.375" x 0.1875" WALL x 147-1/2" LONG ALUMINUM TUBE (6061-T6)
- * MILL FINISH OR POWDER COAT BLACK
- * OPTIONAL COVER (SOLD SEPARATELY)
- * CORROSION RESISTANT HARDWARE
- * WHEEL 10" x 4" NO FLAT TIRE
- * (4) 5 GALLON JUGS
- * MAX POLE TO POLE SPACING OF 20 FT

NETTING OPTIONS:

- * MULTI-SPORTS 1-3/4" x #36 KNOTTED NYLON SQ. MESH, UV TREATED WITH 1/4" ROPE BORDER
- * SOCCER / FOOTBALL 3-1/2" x #36 KNOTTED NYLON SQ. MESH, UV TREATED WITH 1/4" ROPE BORDER
- * 1-3/4" KNOT-LESS HTPP SQ. MESH, UV TREATED WITH 1/4" ROPE BORDER
- * 4" KNOT-LESS HTPP SQ. MESH, UV TREATED WITH 1/4" ROPE BORDER



$$\text{POLE SPACES} = \text{NUMBER OF POLES} - 1$$



Example 1: A net system that is 72 ft long will require 5 poles.
The spacing between poles will be 18 ft. $(72 / (5-1) = 18)$

**12 FT PORTABLE
FIELDPRO NETTING**



www.jaypro.com

INNOVATION, PERFORMANCE
AND COMMITMENT SINCE 1953

PHONE:
800.243.0533 (TOLL FREE)
860.447.3001 (LOCAL)

FAX:
860.444.1779 (SALES)
860.440.0628 (ENG.)

DRAWING NAME / PART NUMBER:

PFN-12

DRAWN BY:

Moune T.

ISSUE DATE:

10/1/2013

CHKD BY:

WVB

CHK DATE:

3/5/2014

SHEET:

1 OF 1

THIS PRINT IS THE PROPERTY OF JAYPRO SPORTS, LLC.
AND MAY NOT BE REPRODUCED WITHOUT WRITTEN PERMISSION