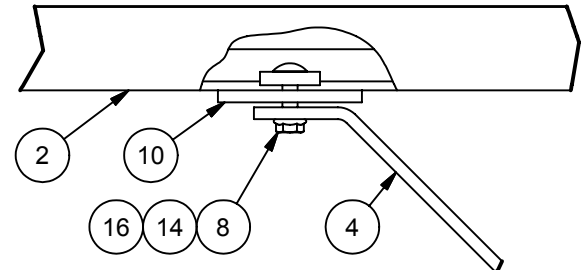
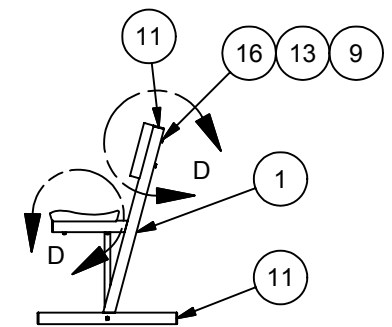
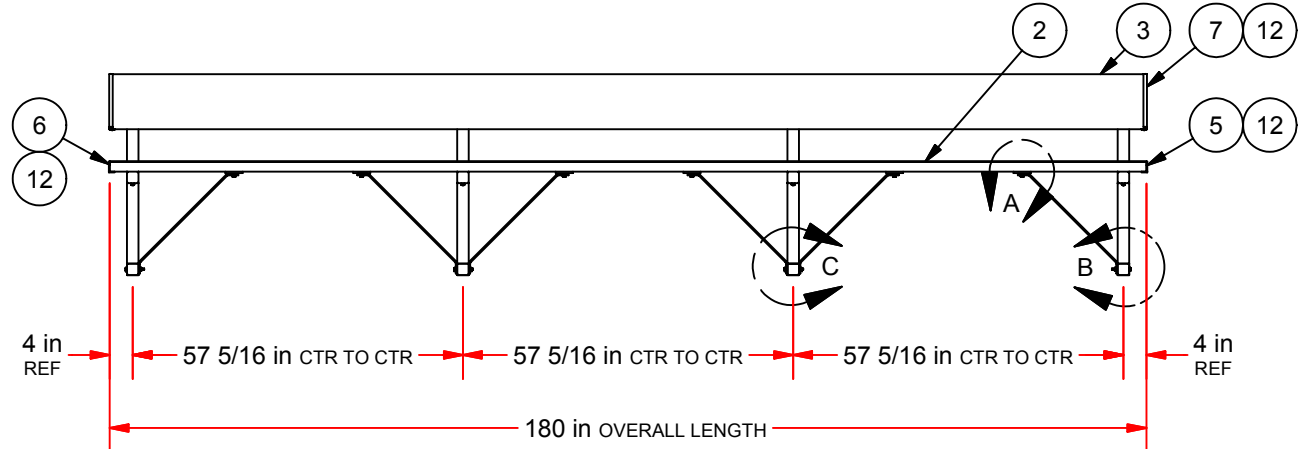


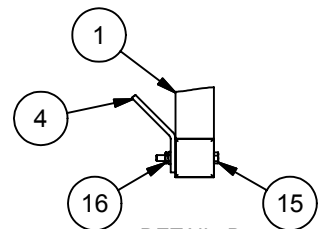
DETAIL D



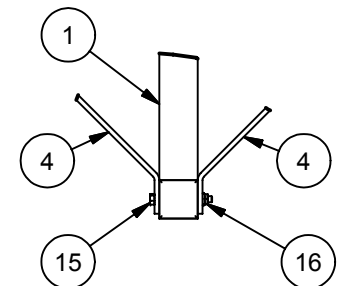
DETAIL A
(TYP BRACE ASSEMBLY)



DETAIL C
(TYP AT MID SPAN BENCH)



DETAIL B
(NUT TO BE PLACE ON THE INSIDE
TYP AT BOTH END OF BENCH)



| ITEM | QTY | DESCRIPTION | ITEM | QTY | DESCRIPTION |
|------|-----|--|------|-----|-------------------------------------|
| 9 | 8 | 5/16 BOLT CLIP | 1 | 4 | BENCH LEG W/ BACKREST |
| 10 | 6 | 3" x 3" SQUARE WASHER | 2 | 1 | 12" x 15' CONTOUR PLANK |
| 11 | 16 | 2" x 2" BLACK END CAP | 3 | 1 | 9 1/2" x 1 1/2" x 15' STADIUM PLANK |
| 12 | 12 | #8 x 1/2 PAN HD PHILIP SCREW SELF DRILL ZP | 4 | 6 | BENCH LEG BRACE |
| 13 | 16 | 5/16-18 x 2 3/4 CARRIAGE BOLT ZP | 5 | 1 | LEFT CONTOUR END CAP |
| 14 | 6 | 5/16-18 x 1 1/4 CARRIAGE BOLT ZP | 6 | 1 | RIGHT CONTOUR END CAP |
| 15 | 4 | 5/16- 18 x 3 HEX HEAD CAP SCREW ZP | 7 | 2 | 9 1/2" ALUMINUM SEAT PLANK END CAP |
| 16 | 26 | 5/16-18 FLANGE NUT ZP | 8 | 14 | 5/16 CONTOUR BOLT CLIP |

PHONE: 800.243.0533 (TOLL FREE)
860.447.3001 (LOCAL)

FAX: 860.444.1779 (SALES)
860.440.0628 (ENG.)

Jaypro
Sports Equipment
Since 1979

JAYPRO SPORTS, LLC, 976 HARTFORD TURNPIKE, WATERFORD, CT 06385 USA
www.jaypro.com

DESCRIPTION
15' PRO SERIES BENCH

| | | |
|-------------------------|--------------------|-------------------|
| PART NUMBER PB20-PRO | DWN BY Moune T. | CHKD BY WVB |
| SIZE A | SCALE N/A | DATE 5/13/2009 |
| REV - | SHEET 1 OF 1 | |

THIS PROPERTY IS THE SOLE PROPERTY OF JAYPRO SPORTS INC. AND MAY NOT BE REPRODUCED WITHOUT WRITTEN PERMISSION OR CONSENT

JAYPRO SPORTS
PB20-PRO, 15' PRO SERIES PLAYER BENCH

PLEASE NOTE:

- 1) BEFORE EACH USE CHECK EQUIPMENT FOR PROPER CONNECTING HARDWARE AND STRUCTURAL INTEGRITY. REPLACE DAMAGED OR MISSING HARDWARE IMMEDIATELY.
- 2) USE OF THIS EQUIPMENT OTHER THAN INTENDED, MAY BE HAZARDOUS.
- 3) ALTERATION OR MODIFICATION OF THIS EQUIPMENT MAY BE HAZARDOUS AND RESULT IN INJURY. FOR REPAIR OR REPLACEMENT, CONTACT YOUR DEALER OR JAYPRO SPORTS.

ASSEMBLY INSTRUCTIONS

TOOLS REQUIRED:

- Electric Drill with Phillips Screwdriver Bit
- (1) ½" Socket Wrench and Box Wrench
- (1) Rubber mallet

Note: The contoured seat plank (2) requires a different bolt clip (Item 8, measuring 2" long) than that used for the backrest plank (3), (Item 9, measuring 2-1/2" long).

IMPORTANT NOTICE: TO AVOID RISK OF INJURY ENSURE THAT THE SAFETY END CAPS ARE INSTALLED ON BOTH THE SEATING PLANK AND BACK PLANK.

- 1) ATTACH END CAPS TO BACKREST PLANK. Lay backrest plank (3) face down on a protective surface. Tap end caps (7) onto each end of backrest plank (3). Secure each end cap in place using two self-drilling screws (12).
- 2) ATTACH END CAPS TO SEAT PLANK. Lay seat plank (2) face down on a protective surface. Attach both left and right end caps (5,6) using four self-drilling screws (12).
- 3) MOUNT SEAT PLANK TO LEGS. For easiest assembly, position legs on backside, with seat support arm facing up. Space legs at approximate distance shown. Insert carriage bolt (13) into bolt clip (8) - attach to each leg in two places using flange nut (16) – see Detail D. (Note: the bolt clip (8) used to attach the seat plank measures 2" long). Attach seat plank (2) by positioning slot over bolt clip (8) and rotating clip into position. Slide seat plank forward (up) so that edge of plank is flush with edge of leg support arm. Hand tighten seat plank hardware until braces are installed.

- 4) **INSTALL BRACING.** Install bracing (4) following details A, B and C. (Note: the bolt clip (8) used to attach bracing to the seat plank measures 2" long). Adjust leg spacing to achieve dimensions shown. Securely tighten all hardware attaching seat plank and bracing.
- 5) **INSTALL BACKREST PLANK.** Stand unit upright and assemble backrest plank (3) following the same procedure used to attach the seat plank – see step #3. (Note: the bolt clip (9) used to attach the backrest plank measures 2-1/2" long).
- 6) **INSTALL LEG END CAPS.** Carefully insert the plastic end caps (11) into the three exposed ends of each leg.
- 7) Check assembly to make sure legs square and properly aligned with each other. Adjust if necessary.