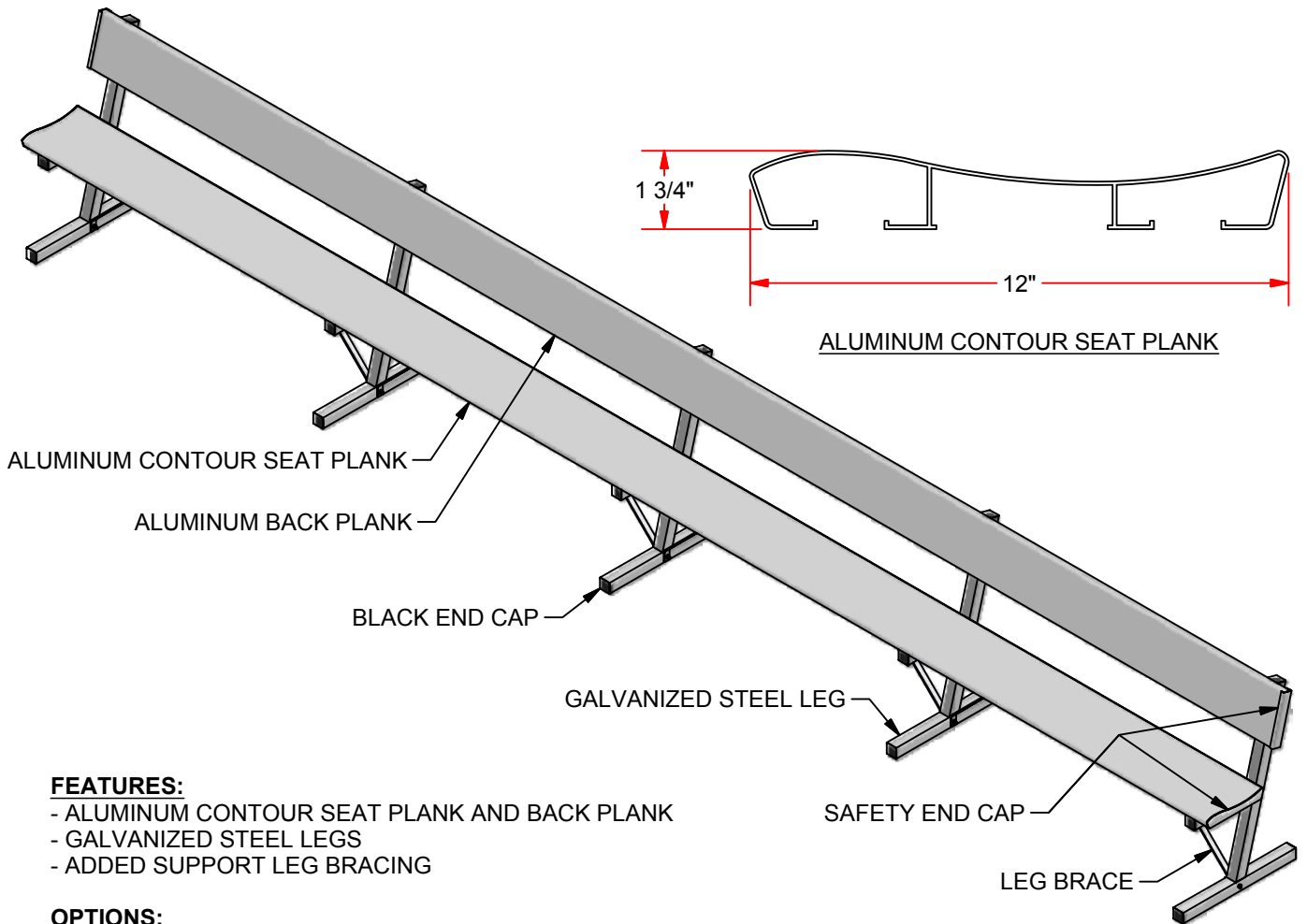


PB10-PRO

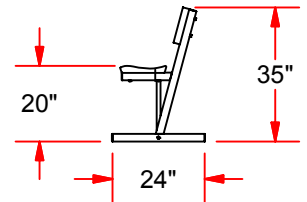
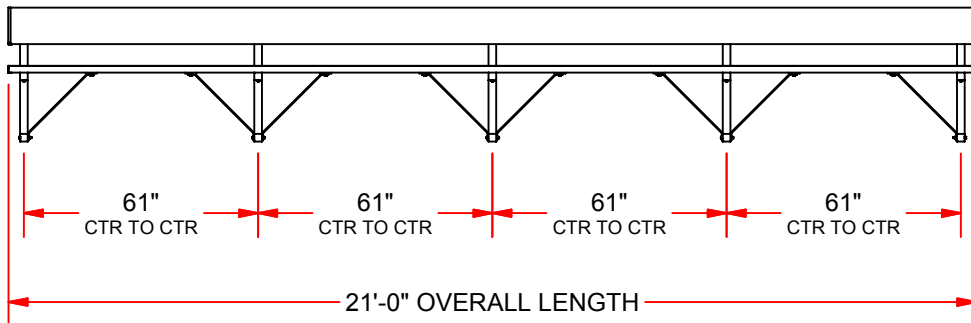


FEATURES:

- ALUMINUM CONTOUR SEAT PLANK AND BACK PLANK
- GALVANIZED STEEL LEGS
- ADDED SUPPORT LEG BRACING

OPTIONS:

- CUSTOM POWDER COATED COLORS



REV.	DESCRIPTION	DATE	BY
-	INITIAL	5/13	MT

PB10-PRO
21' PRO SERIES BENCH

www.jaypro.com

FAX: 860.444.1779 (SALES)
860.440.0628 (ENG.)

PHONE: 800.243.0533 (TOLL FREE)
860.447.3001 (LOCAL)

JAYPRO SPORTS, LLC, 976 HARTFORD TURNPIKE, WATERFORD, CT 06385 USA

DRAWING NAME / PART NUMBER: PB10-PRO	
DRAWN BY: Moune T.	ISSUE DATE: 5/13/2009
CHK'D BY: WVB	
SHEET: 1 OF 1	REV. -

COPYRIGHT 2006
 JAYPRO SPORTS, LLC.
 ALL RIGHTS RESERVED

THIS PRINT IS THE PROPERTY OF JAYPRO SPORTS, LLC.
 AND MAY NOT BE REPRODUCED WITHOUT WRITTEN PERMISSION