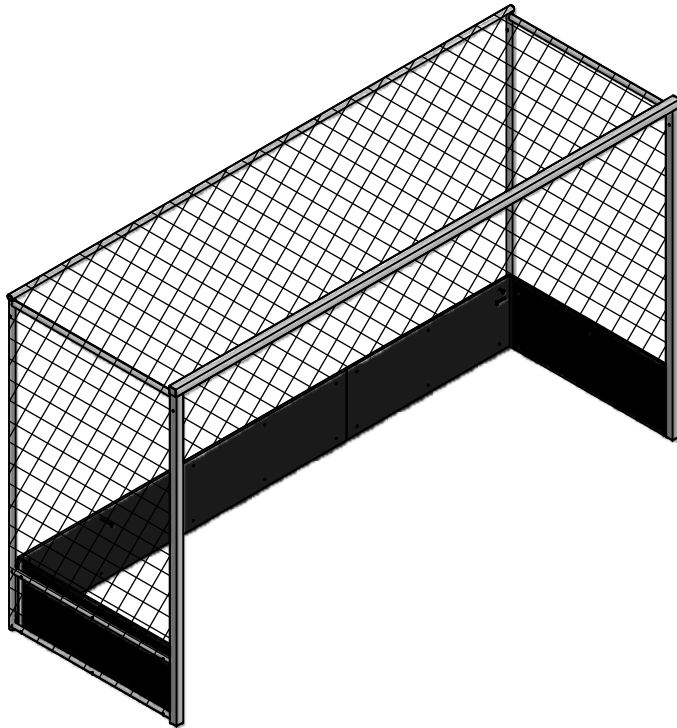


OFFICIAL FIELD HOCKEY GOAL

OFHG-7124

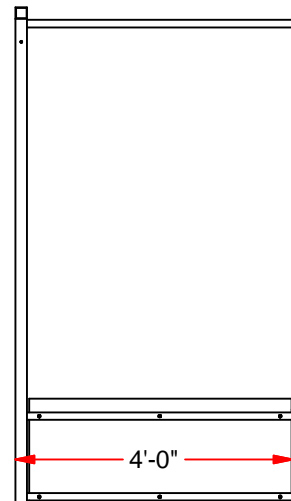
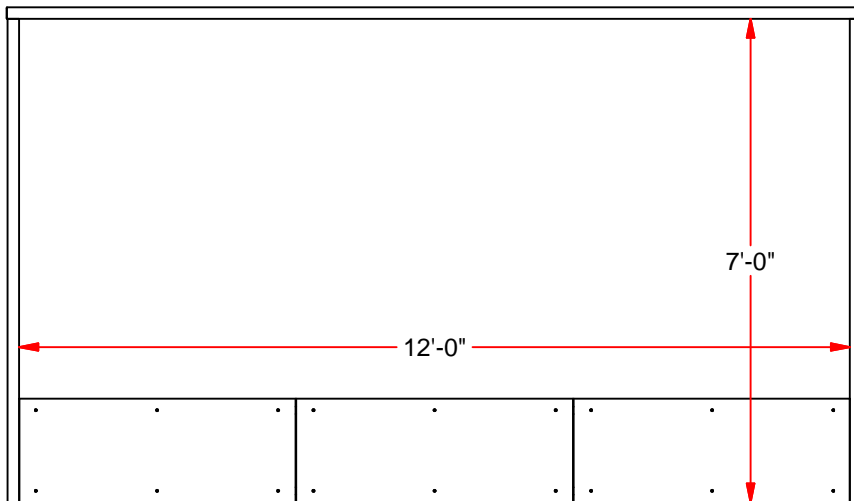



IMPORTANT NOTICE:

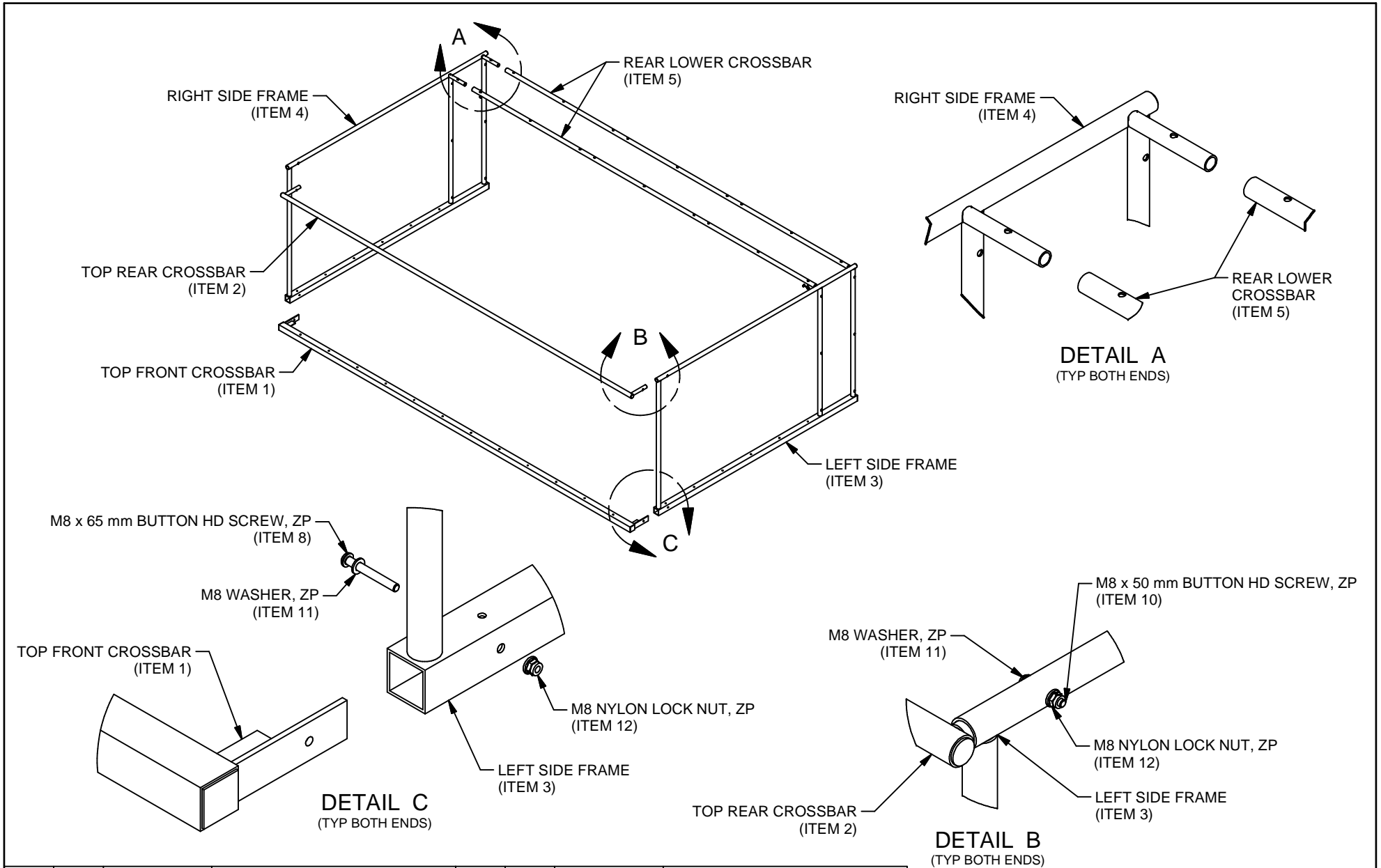
- 1) BEFORE EACH USE CHECK EQUIPMENT FOR PROPER CONNECTING HARDWARE AND STRUCTURAL INTEGRITY. REPLACE DAMAGED OR MISSING HARDWARE IMMEDIATELY.
- 2) USE OF THIS EQUIPMENT OTHER THAN INTENDED, MAY BE HAZARDOUS.
- 3) ALTERATION OR MODIFICATION OF THIS EQUIPMENT MAY BE HAZARDOUS AND RESULT IN INJURY. FOR REPAIR OR REPLACEMENT, CONTACT YOUR DEALER OR JAYPRO SPORTS.

TOOLS REQUIRED:


- (1) 5 mm Allen Wrench
- (1) 13 mm Closed End Wrench or Socket
- (1) Rubber mallet



| | | |
|---|---|-----------------------|
|  976 Hartford Turnpike Waterford, CT 06385 USA (800)243-0533 Fax: (800)988-3363 www.jaypro.com | MODEL NUMBER: OFHG-7124 | CHECKED BY: WVB |
| | PRODUCT NAME: OFFICIAL FIELD HOCKEY GOAL ASSEMBLY INSTRUCTION PACKAGE | |
| | EFFECTIVE DATE: 3/22/2010 | DRAWN BY: Moune T. |



| | | | | | | | |
|------|-----|-------------|--------------------------------|------|-----|-------------|--------------------------------|
| 8 | 2 | BOLT-A | M8 x 65 mm BUTTON HD SCREW, ZP | 1 | 1 | FHG-60-J1 | TOP FRONT CROSSBAR |
| 9 | 30 | BOLT-E | M8 x 60 mm BUTTON HD SCREW, ZP | 2 | 1 | FHG-60-2 | TOP REAR CROSSBAR |
| 10 | 2 | BOLT-C | M8 x 50 mm BUTTON HD SCREW, ZP | 3 | 1 | FHG-60-3 | LEFT SIDE FRAME |
| 11 | 4 | WASHER-A | M8 WASHER, ZP | 4 | 1 | FHG-60-4 | RIGHT SIDE FRAME |
| 12 | 34 | NUT-A | M8 NYLON LOCK NUT, ZP | 5 | 2 | FHG-60-5 | REAR LOWER CROSSBAR |
| 13 | 1 | SNT-180 | NET CLIP KIT | 6 | 3 | FHG-16-1 | REAR FOOT BOARD x 48" LONG |
| 14 | 1 | FHND-8 | 7' x 12' x 4' WEATHERPROOF NET | 7 | 2 | FHG-16-2 | SIDE FOOT BOARD x 45 1/2" LONG |
| ITEM | QTY | PART NUMBER | DESCRIPTION | ITEM | QTY | PART NUMBER | DESCRIPTION |



976 Hartford Turnpike
Waterford, CT 06385 USA
(800)243-0533 Fax: (800)988-3363
www.jaypro.com

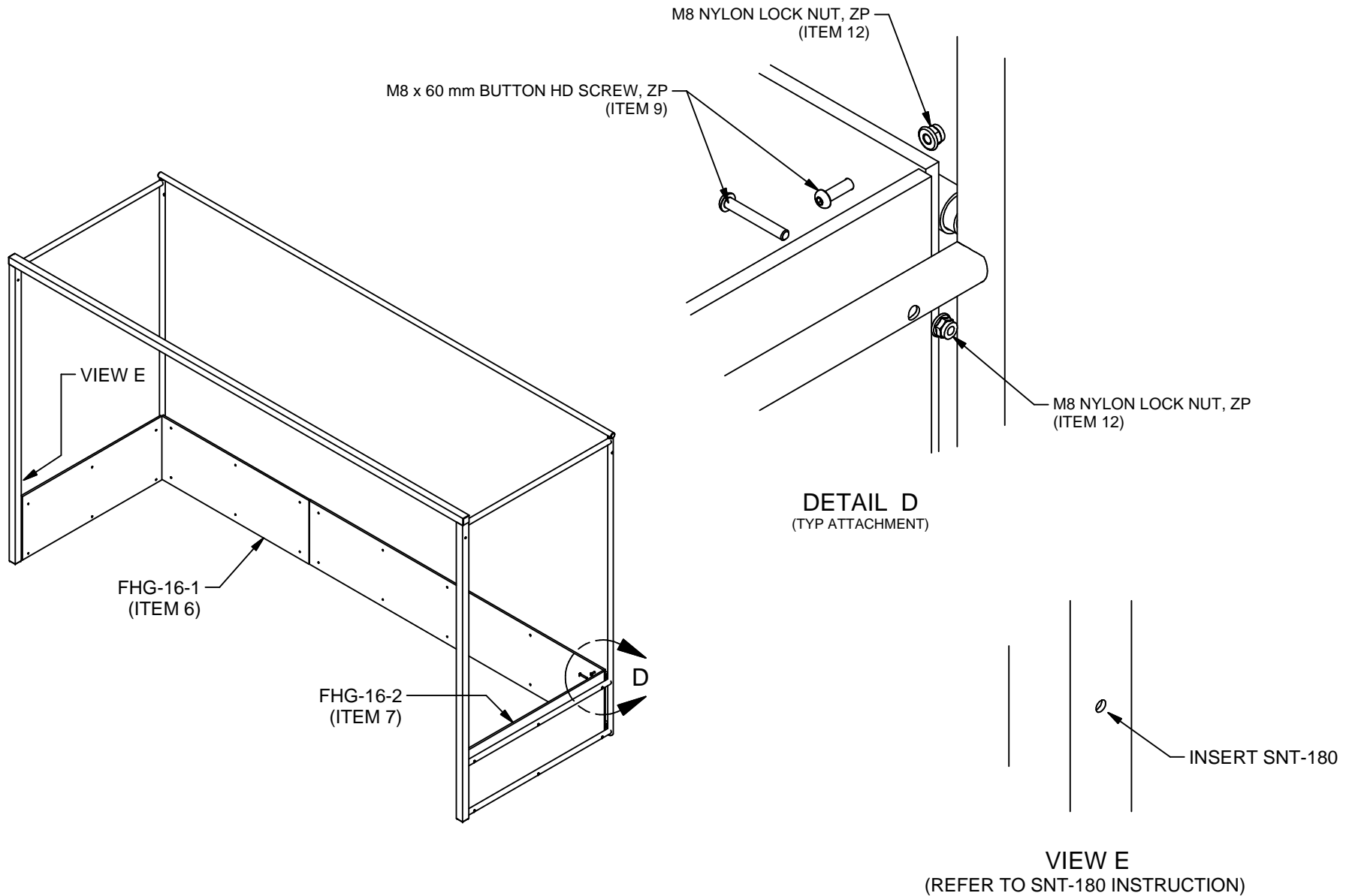
MODEL NUMBER:
OFHG-7124

PRODUCT NAME:
OFFICIAL FIELD HOCKEY GOAL ASSEMBLY INSTRUCTION PACKAGE


EFFECTIVE DATE:
3/22/2010

CHECKED BY:
WVB

DRAWN BY:
Moune T.



| | | | | | | | |
|------|-----|-------------|--------------------------------|------|-----|-------------|--------------------------------|
| 8 | 2 | BOLT-A | M8 x 65 mm BUTTON HD SCREW, ZP | 1 | 1 | FHG-60-J1 | TOP FRONT CROSSBAR |
| 9 | 30 | BOLT-E | M8 x 60 mm BUTTON HD SCREW, ZP | 2 | 1 | FHG-60-2 | TOP REAR CROSSBAR |
| 10 | 2 | BOLT-C | M8 x 50 mm BUTTON HD SCREW, ZP | 3 | 1 | FHG-60-3 | LEFT SIDE FRAME |
| 11 | 4 | WASHER-A | M8 WASHER, ZP | 4 | 1 | FHG-60-4 | RIGHT SIDE FRAME |
| 12 | 34 | NUT-A | M8 NYLON LOCK NUT, ZP | 5 | 2 | FHG-60-5 | REAR LOWER CROSSBAR |
| 13 | 1 | SNT-180 | NET CLIP KIT | 6 | 3 | FHG-16-1 | REAR FOOT BOARD x 48" LONG |
| 14 | 1 | FHND-8 | 7' x 12' x 4' WEATHERPROOF NET | 7 | 2 | FHG-16-2 | SIDE FOOT BOARD x 45 1/2" LONG |
| ITEM | QTY | PART NUMBER | DESCRIPTION | ITEM | QTY | PART NUMBER | DESCRIPTION |

| | | |
|---|--|--------------------|
|  976 Hartford Turnpike Waterford, CT 06385 USA (800)243-0533 Fax: (800)988-3363 www.jaypro.com | MODEL NUMBER: OFHG-7124 | CHECKED BY: WVB |
| | PRODUCT NAME: OFFICIAL FIELD HOCKEY GOAL ASSEMBLY INSTRUCTION PACKAGE | |
| EFFECTIVE DATE: 3/22/2010 | DRAWN BY: Moune T. | |