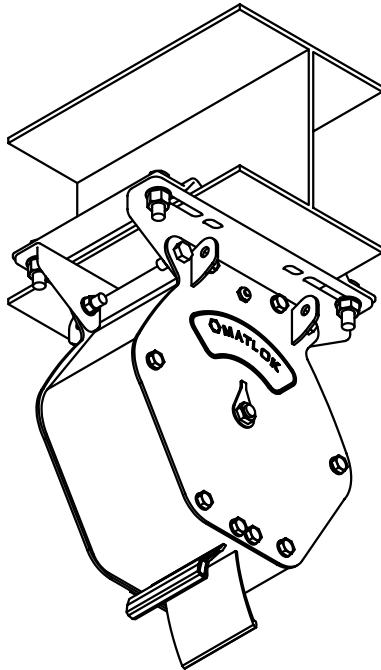
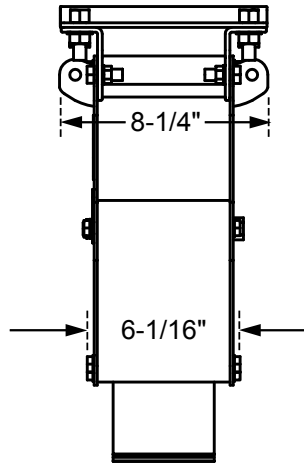




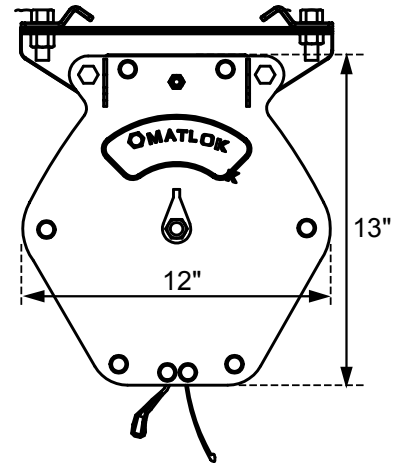
ML-2000 - MATLOK™ MAT HOIST SAFETY STRAP



SIDE VIEW



FRONT VIEW



STRONGER CLAMPING SYSTEM
WHICH MOUNTS DIRECTLY TO
4" WIDE TO 8" WIDE BEAM FLANGES

SELF-CHECKING
DRUM SPEED CHECKED 7X
PER REVOLUTION

ROBUST STEEL FRAME
INTERLOCKING ALL-STEEL FRAME FAR
EXCEEDS THE STRENGTH OF CAST STEEL

FAIL-SAFE
ARRESTING MECHANISM
DEFAULTS TO LOCKED POSITION

FASTER CHECKING
STRAP SPEED OF 1.5 FEET
PER SECOND

POSITIVE RECOIL
REEL SPRING IS 75%
STRONGER THAN OTHER UNITS

4" WIDE
HEAVY DUTY STRAP
12,000 LBS BREAKING STRENGTH

TELLTALE INDICATOR
VISUALLY SIGNALS UNIT HAS
BEEN CALLED INTO ACTION

PROJECT NAME _____

PROJECT NUMBER _____

ARCHITECT _____

CONTRACTOR _____

NOTES _____



ML-2000

MATLOK™ MAT HOIST SAFETY STRAP

© COPYRIGHT 2014 JAYPRO SPORTS, LLC. ALL RIGHTS RESERVED
THIS PRINT IS THE PROPERTY OF JAYPRO SPORTS, LLC. AND MAY
NOT BE REPRODUCED WITHOUT WRITTEN PERMISSION

www.jaypro.com
(800) 243-0533
976 Hartford Turnpike
Waterford, CT 06385 USA

Sheet 1 of 2



SPECIFICATION SHEET

The ML-2000 shall be directly speed sensitive to automatically lock a mat hoist in position at any time in storage or during the raising or lowering cycle in the event of an over-speed created malfunction of the hoisting apparatus, such as a winch, cable, pulleys, support fittings, etc. Any increase in cycle speed or tension, whether sudden or gradual, immediately activates the locking device. The mechanism shall be made of high strength metal components and shall apply on both sides of the reel for balanced loading and greater sensitivity. The reel shall be supported on both sides by bearings to assure that there is no deflection under heavy load, which would cause the strap to misalign and suffer damage. The strap shall be automatically retracted and stored on a reel equipped with a special negator-type constant force spring. The mechanism shall incorporate a fully automatic reset requiring no poles, ropes, levers or buttons. The entire mechanism shall have an interlocking all-steel frame and be powder coated for corrosion resistance and a modern aesthetically-pleasing appearance.

The ML-2000 is provided with a universal mounting system to allow mounting orientations either parallel or perpendicular to the strap. Standard bracketry provides mounting to wide beam flange, sized 4" to 8" wide.

The ML-2000 shall incorporate a 4" wide, 50' long belt rated at 12,000 lbs. Strap shall make visible a safety alert patch stitched to the strap to indicate the maximum safe extension. The entire unit shall be capable of supporting a falling weight of 2000 lbs without strap failure or structural damage. The strap anchoring system shall bear on the full width of the strap and be capable of taking the full breaking strength of the strap. Two ML-2000 units are required per mat hoist system.

The lower end of the strap shall have a "Telltale Indicator" to notify the customer when the safety belt has been called into action. The Telltale Indicator is a breakaway loop sewn into the lower strap containing a brightly colored warning label that shall be exposed should the stitching be torn out due to the proper catch of a falling load.

The locking mechanism must be fail safe, meaning that any sticking, jamming or breakage of any of the components of the arresting mechanism will result in immediate, positive locking of the reel. The locking mechanism shall react to the actual speed of the reel and prevent it from exceeding a strap speed of 1.5 feet per second regardless of whether the load suddenly drops by breakage of a component in the hoisting apparatus or whether it accelerates more slowly, caused by a back driving winch or the yielding of a structural component. The locking mechanism must be self-checking, meaning that during normal use the mechanism is in constant motion to prevent long-term binding or seizing caused by dirt or corrosion. The mechanism shall actively and positively confirm, seven times per revolution that the reel is traveling at safe speed, below 1.5 feet per second. The action of the mechanism shall be audible to facilitate pre-installation checking and to prove positive operation of the mechanism.

WARRANTY

The ML-2000 shall be warranted to be free of manufacturing defects for a period of 1 year.