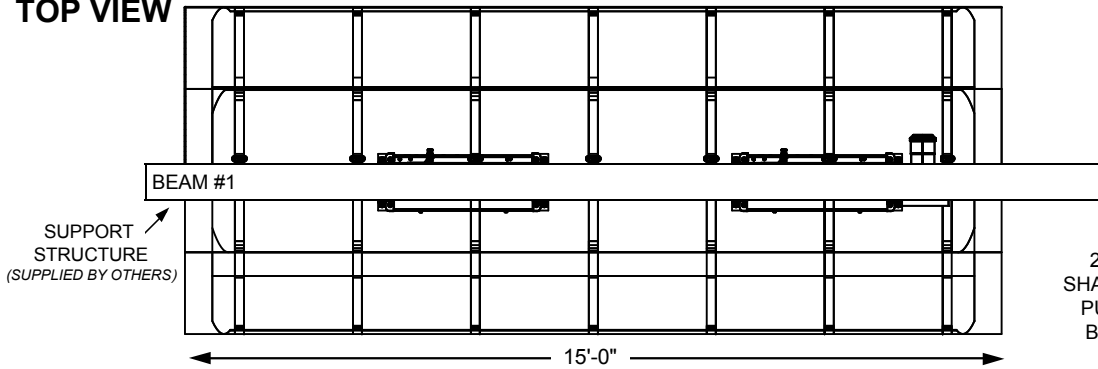


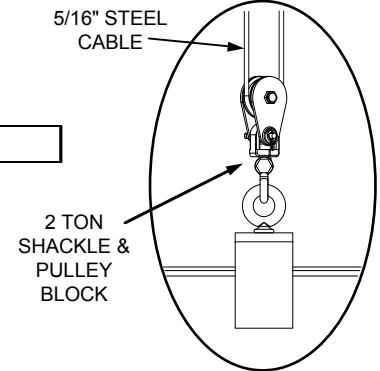


MH-M-A CEILING SUSPENDED MINI MAT HOIST

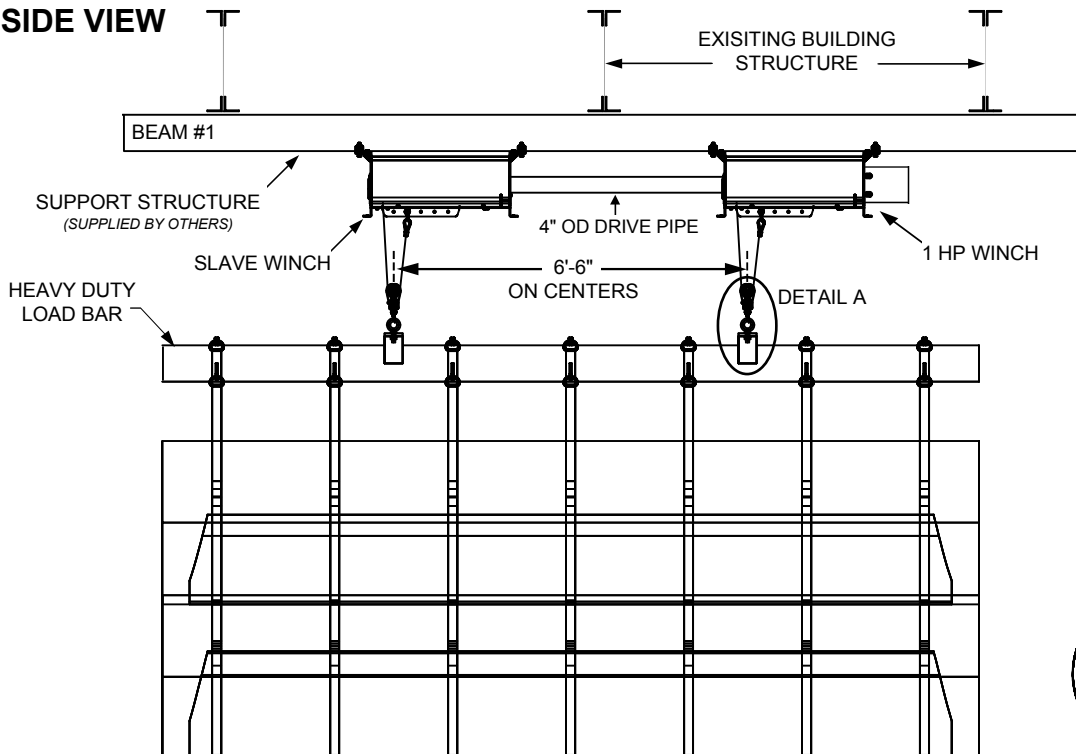
TOP VIEW



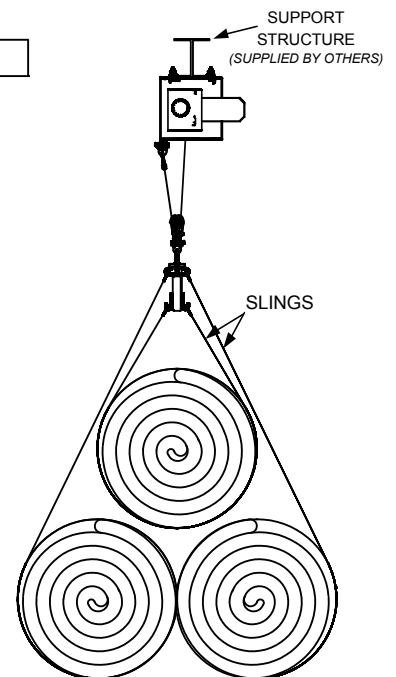
DETAIL A



SIDE VIEW



END VIEW



REQUIRED INFORMATION:

- 1. POWER REQUIREMENTS:**
- 208-240VAC - 3 Phase (STANDARD)
 - 120VAC - 1 Phase*
 - 208-240VAC - 1 Phase*
 - 400-480VAC - 3 Phase*
 - 600VAC - 3 Phase*
- * May incur additional cost and lead time*

- 2. ELEVATION OF STRUCTURE:**
(From finished floor)
- Beam #1: _____
Flange Size: _____
Unit must be mounted on one continuous and level beam

3. SLING COLOR:

- | | |
|----------------------------------|-------------------------------------|
| <input type="checkbox"/> Red | <input type="checkbox"/> Light Blue |
| <input type="checkbox"/> Yellow | <input type="checkbox"/> Blue |
| <input type="checkbox"/> Orange* | <input type="checkbox"/> Green |
| <input type="checkbox"/> Black | <input type="checkbox"/> Brown* |
| <input type="checkbox"/> Gray | |

**Some colors may incur additional cost*

4. OPTIONAL EQUIPMENT:

- ML-2000 MatLoK Safety Strap
2 MatLoks required per system

NOTE: STRUCTURAL SUPPORTS MUST BE DESIGNED BY ARCHITECT OR STRUCTURAL ENGINEER. STRUCTURE IS SUPPLIED BY OTHERS (NOT JAYPRO) AND MUST BE CAPABLE OF SUPPORTING SPECIFIED LOADS (SEE SYSTEM WEIGHT TABLE).

PROJECT NAME _____

PROJECT NUMBER _____

ARCHITECT _____

CONTRACTOR _____

NOTES _____



MH-M-A

MINI MAT HOIST, CEILING SUSPENDED

© COPYRIGHT 2014 JAYPRO SPORTS, LLC. ALL RIGHTS RESERVED
THIS PRINT IS THE PROPERTY OF JAYPRO SPORTS, LLC. AND MAY NOT BE REPRODUCED WITHOUT WRITTEN PERMISSION

www.jaypro.com
(800) 243-0533
976 Hartford Turnpike
Waterford, CT 06385 USA



Jaypro SecureLift™ Mat Storage System Ceiling Suspended Mini Wrestling Mat Hoist

Stationary system, overhead structure supported. Synchronized mat lifting system for storage, raising and lowering of three (3) 14' x 42' or 15' x 45' sections.

MAT STORAGE SYSTEM WEIGHT	
WINCHES & ATTACHMENTS	600 LBS
LOAD BAR	220 LBS
DOUBLE SLING & STRAPS	100 LBS
1x MAT (45' x 45' @ 1 LB / FT ²)	2025 LBS
15% LOAD SAFETY FACTOR	445 LBS
TOTAL SYSTEM WEIGHT	3390 LBS

GENERAL The dual hoist design consists of two (2) independent custom designed winches in a 'master/slave' configuration mounted directly on one (1) continuous beam (supplied by others) located 6'-6" on centers. Structural support members, to be designed by the architect and/or structural engineer, and supplied by and installed by others (Jaypro is not responsible), to meet building requirements and all applicable codes. Structure must be capable of supporting total weight of mat hoist system as specified in above table. All hoisting / lifting hardware and components are designed with a minimum of 5:1 factor of safety.

LOAD BAR The load bar is constructed of 2" x 8" heavy walled rectangular steel tube, 15' long. Bar has steel 'J' hooks welded at evenly spaced intervals. Bar is provided in one (1) complete section. All load bar welds are by certified welders.

SLING Sling fabric to be 18 oz. solid vinyl coated polyester base material with sewn in straps. Strap material to be 2" wide, 3000 lb. breaking strength, located 3 feet on centers. Heavy duty 'D'-rings shall be sewn in at each strap end for attachment to load bar. Vinyl shall have fire retardant ratings to meet all requirements of NFPA 701 (Test Method 2), ASTM-E-84-Class A, and State of California test requirements. Color shall be as specified by owner.

WINCH Unit is powered by one (1) master winch, which drives the slave winch by means of a 4" OD by 0.188" W drive pipe. Each winch is mounted to existing support structure by way of four (4) 1/2" diameter high strength bolt and beam clamp assemblies (1300 lb min tensile strength per bolt). Winches raise and lower the load bar by means of two (2) 5/16", 7x19, steel cables (9800 lb. breaking load each). Mats are raised and lowered at a rate of no less than 5.5 feet per minute.

The master winch shall be driven by a 1 HP, instantly reversing, 208-240 volt* (3.7FLA), three phase electric brake motor. Each winch shall have a 1,900lb vertical lift capacity and be rated for continuous duty. Drum shall be grooved for a 5/16", 7x19 cable, and shall be supplied with a pressure cable roller, with torsion spring tensioning, to ensure that the cable 'tracks' in the drum grooves even under slack cable conditions. The winch shall be direct drive, with a fully enclosed single-stage worm gear reducer, and contain no 'V' belts or chains. It shall have a uni-directional worm brake, as well as a dynamic safety brake to provide positive dynamic braking and reliable holding of the cable drum. Master winch has an integral adjustable upper and lower travel limit switch. Slave winch has built in POSILOK™ mechanism in case of failure of drive shaft coupling.

* 208-240VAC standard. Other voltages available and may incur additional cost and lead time. See "Power Requirements" on Sheet 1.

WIRING Hoist system shall be supplied with a 3 position key switch which shall be located in clear view of the mat hoist to ensure unobstructed view during operation. Additional operators are available and must be specified at time of order or specification. Wiring of all electrical components shall be in accordance with national and local electrical codes, as well as specific wiring instructions provided by Jaypro. All wiring, conduit and miscellaneous electrical components (e.g. disconnects) shall be provided and installed by the electrical contractor. Control wiring to consist of Ethernet cable (one run from key switch to master winch).

CONTROL SYSTEM The master winch motor is controlled by a Vector speed controller. The controller features a safety monitoring system that constantly verifies proper operation of the hoist, and shuts the entire system down in the event of failure. This safety feature protects against electrical, mechanical, and ambient environmental issues such as overvoltage, elevated temperatures, and a loss of mechanical load (i.e. cable failure) among many other modes of failure.

WARRANTY Jaypro SecureLift™ Mat Storage System comes with a 1 Year Limited Warranty. Other components may be covered under their own extended warranty.

OPTIONAL COMPONENTS

- MEC Pad Master Equipment Controller (Refer to MEC-99 Specification Sheet)
- ETEC Easy Touch Equipment Controller (Refer to ETEC Specification Sheet)
- MatLok™ Safety Strap (Refer to ML-2000 Specification Sheet)
- SecureLift™ Audible Alarm