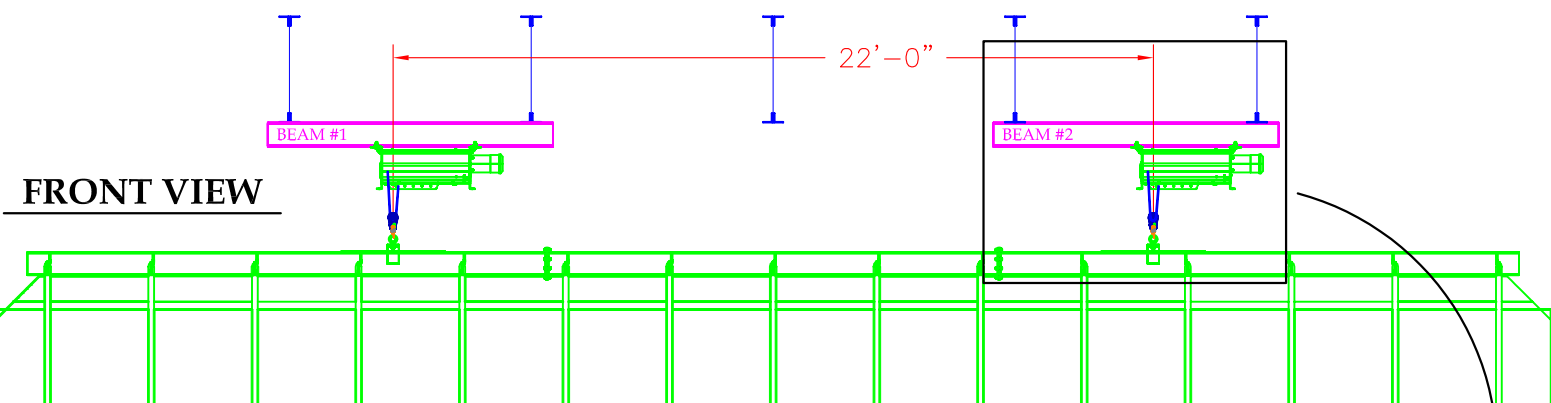


TOP VIEW

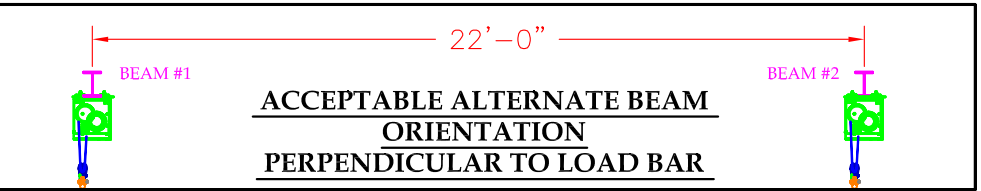
42'-0" TO 45'-0"
(DEPENDING ON MAT SIZE)



FRONT VIEW

22'-0"

ACCEPTABLE ALTERNATE BEAM ORIENTATION PERPENDICULAR TO LOAD BAR



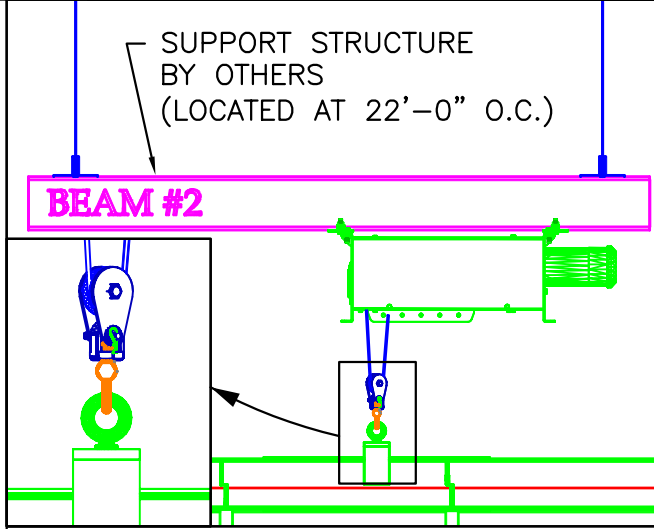
REQUIRED INFORMATION:

- Power Supply:
 - 208v - 3 phase
 - 230v - 3 phase
 - 480v - 3 phase
- Elevation of Structure: (From finished floor)
 - Beam #1: _____
 - Flange Size: _____
 - Beam #2: _____
 - Flange Size: _____
- Mat Sizes / Quantities:
 - 14' x 42' Qty: _____
 - 42' x 42' Qty: _____
 - 45' x 45' Qty: _____
 - Other: _____

* Note maximum is 4050 sq. ft (At assumed one (1) lb. per sq. ft.)
Rolled mat diameter: _____
(36" Assumed if not otherwise noted)
- Mat Orientation:
 - Vertical
 - Side by Side
- Sling color:
 - Red
 - Yellow
 - Orange*
 - Black
 - Light Blue
 - Blue
 - Green
 - Brown*
 - Gray

* Some colors will incur additional Cost
- Optional Equipment:
 - PL-2000 MatLok Safety Strap (Two (2) MatLoks required per system)

***NOTE: STRUCTURAL SUPPORTS MUST BE DESIGNED BY ARCHITECT OR STRUCTURAL ENGINEER. STRUCTURE IS SUPPLIED BY OTHERS (NOT JAYPRO) AND MUST BE CAPABLE OF SUPPORTING SPECIFIED LOADS (SEE SYSTEM WEIGHT TABLE).**

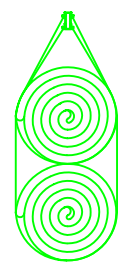
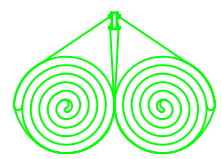


BEAM #2

END VIEW

SIDE-BY-SIDE ORIENTATION

VERTICAL ORIENTATION



REV.	DESCRIPTION	DATE	BY
A	PRELIMINARY REVIEW	3/9/05	KMT
A1	ADDED SECURELIFT NAME	4/15/05	KMT
A2	ADDED BEAM SIZE, ALT. ORIENTATION VIEW	4/3/06	KMT

DOUBLE MAT HOIST CEILING SUSPENDED



www.jaypro.com
976 HARTFORD TURNPIKE
WATERFORD, CT 06385 USA

DRAWING NAME / PART NO.: MH-D-A	
DRAWN BY: KMT	CHK'D BY: WVB
ISSUE DATE: 9/12/03	REV DATE: 4/3/06
SHEET: 1 OF 2	REV. A

COPYRIGHT 2003
JAYPRO SPORTS, LLC.
ALL RIGHTS RESERVED

THIS PRINT IS THE PROPERTY OF JAYPRO SPORTS, LLC. AND MAY NOT BE REPRODUCED WITHOUT WRITTEN PERMISSION

Jaypro SecureLift™ Mat Storage System

Model MH-D-A for Double Wrestling Mats

Stationary system, overhead structure supported. Synchronized mat lifting system for storage, raising and lowering of two (2) 42' x 42' or 45' x 45' wrestling mats

MAT STORAGE SYSTEM WEIGHT	
WINCHES & ATTACHMENTS	500 LBS
LOAD BAR	550 LBS
DOUBLE SLING & STRAPS	160 LBS
2x MAT (45' x 45' @ 1 LB / FT ²)	4050 LBS
15% LOAD SAFETY FACTOR	790 LBS
TOTAL SYSTEM WEIGHT	6050 LBS

General Specifications:

The dual hoist design consists of two (2) independent custom designed winches that mount directly to structure (supplied by others) located on 22'-0" centers. The dual hoist design has the benefit of eliminating the need for leveling structure or cradles, and can be easily installed in any type of building. Structural support members, to be designed by the architect and/or structural engineer, and supplied by and installed by others (Jaypro is not responsible), to meet building requirements and all applicable codes. Structure must be capable of supporting total weight of mat hoist system as specified in above table. All hoisting / lifting hardware and components are designed with a minimum of 5:1 factor of safety.

Unit is powered by two (2) 1.5 HP winches with synchronized motor controller. Winches are mounted to existing support structure (provided by others) by way of four (4) ½" diameter high strength bolt and beam clamp assemblies (1300 lb min tensile strength per bolt). Winches raise and lower the load bar by means of two (2) 5/16", 6x37, steel cables (8520 lb. breaking load). Mats are raised and lowered at a rate of no less than 5.5 feet per minute. Unit to be controlled by a single 3-position momentary key switch (2 key switches not required), which shall be located in an area with full visibility of the mat hoist system during its entire lifting cycle. Includes an audible motion alarm which sounds when unit is operated.

Load Bar Specifications:

The load bar is constructed of 2" x 8" heavy walled rectangular steel tube, 43' long. Bar has steel 'J' hooks welded at evenly spaced intervals. Bar is provided in three (3) sections that are spliced (bolted) together. All welds are by certified welders.

Sling Specifications:

Sling fabric to be vinyl-coated polyester base material with sewn in straps. Strap material to be 2" wide, 3000 lb. breaking strength. Straps are to be sewn into vinyl 3 ft. on center, and contain a sewn-in heavy duty 'D'-ring at each end for attachment to load bar. Vinyl fabric is fire retardant, meeting California State Fire Code (F31.5, F-140).

Winch Specifications:

1.5 HP, instantly reversing, 208/230/480 volt, three phase electric motor utilizing a 3-wire control system. Drum shall be grooved for a 5/16" 6x37 cable. Drum shall be supplied with a pressure cable roller, with torsion spring tensioning, to ensure that the cable 'tracks' in the drum grooves even under slack cable conditions. The winch shall be direct drive, require no oil bath, and contain no 'V' belts or chains. It shall have a uni-directional worm brake, as well as a dynamic safety brake, which together with the inherently locking worm drive assures positive dynamic braking and reliable holding of the cable drum. Each winch has an integral adjustable upper and lower travel limit switch.

Controller Specifications:

Jaypro's SafeWay™ controller monitors and synchronizes the operation of the dual hoists. The payout and take-up of each hoist is monitored by a state of the art PLC control system, which synchronizes the speed of each winch. The travel speed of each cable is monitored no less than 60 times per minute, to ensure level operation. A redundant stop, at the upper and lower limits, is provided for added safety. The SafeWay™ controller features a safety monitoring backup system that verifies the proper operation of each hoist, and shuts the entire system down in the event of a single motor failure. Thermal overload switches in the control panel prevent overloading of the winches. An audible alarm, activated when the hoist is in motion, provides added awareness when the system is in operation.

Wiring Specifications:

The 3 position key switch shall be located in clear view of the mat hoist to ensure unobstructed view during operation. Wiring of all electrical components shall be in accordance with national and local electrical codes, as well as specific wiring instructions provided by Jaypro. All wiring, conduit and miscellaneous electrical components shall be provided and installed by the electrical contractor.

Optional Equipment – MatLok™ Safety Strap:

The PL2000 MatLok™ safety strap is a fail-safe and self-checking fall arrester for the load bar and suspended mats. This is an optional but highly recommended piece of equipment that will catch the suspended load from falling should the cable break or other supporting component fail. MatLok™ is supplied with all necessary hardware and fittings to attach unit to a flanged beam. Unit features a heavy duty strap with a breaking strength of 10,000 lbs, with sewn on maximum travel and visual safety indicators. The MatLok™ unit has a 10 year warranty and has been tested and validated by an international testing laboratory.

Note: Jaypro will not fabricate without written approval. Signature required for confirmation that building structure has been sufficiently tested or analyzed to ensure adequate support is present for the SecureLift™ system, not for endorsement of any or all of Jaypro's specific design features listed above.

Job Name: _____ Date: _____

Architect: _____ Contractor: _____

