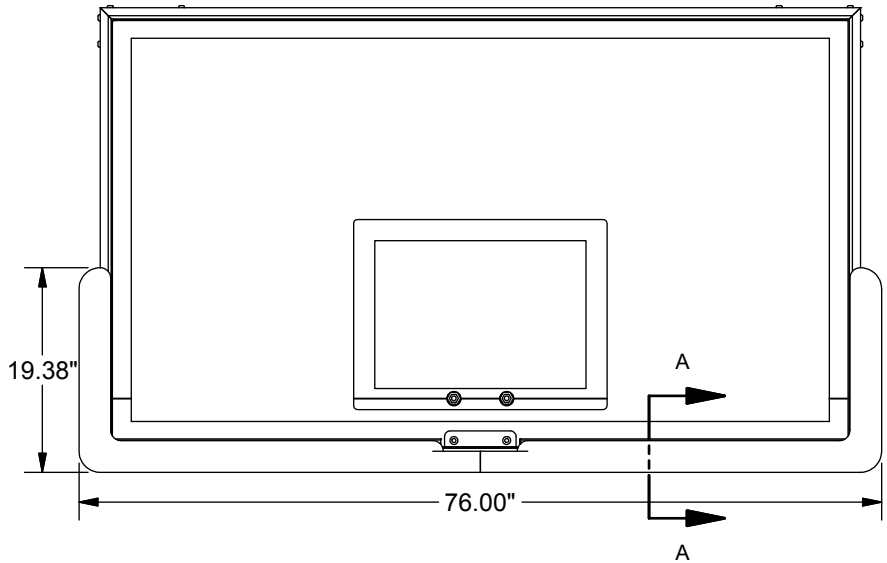
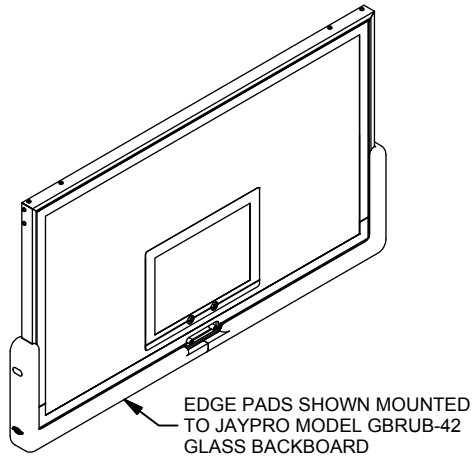
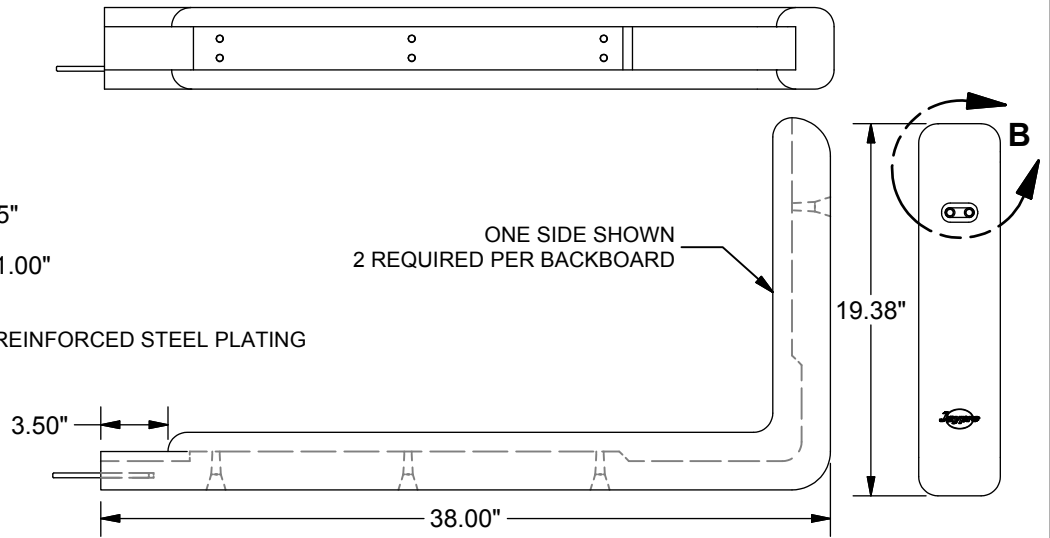
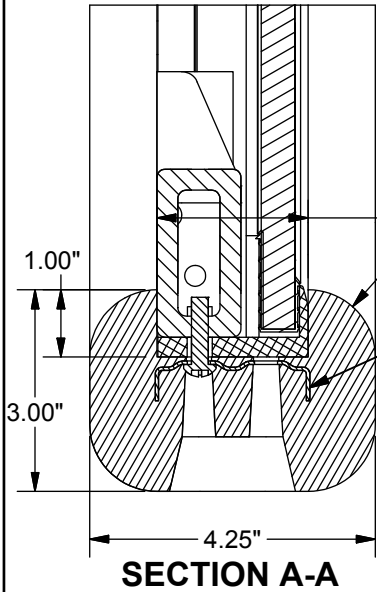




MBBP-6 Safe-Pro™ EDGE PADDING



16 AVAILABLE COLORS:

- | | | | |
|----------------------------------------|---------------------------------------|---------------------------------------|---------------------------------------|
| <input type="checkbox"/> Royal Blue | <input type="checkbox"/> Black | <input type="checkbox"/> Scarlet | <input type="checkbox"/> Old Gold |
| <input type="checkbox"/> Navy Blue | <input type="checkbox"/> Purple | <input type="checkbox"/> Cardinal | <input type="checkbox"/> Yellow |
| <input type="checkbox"/> Columbia Blue | <input type="checkbox"/> Light Purple | <input type="checkbox"/> Burnt Orange | <input type="checkbox"/> Kelly Green |
| <input type="checkbox"/> Gray | <input type="checkbox"/> Maroon | <input type="checkbox"/> Orange | <input type="checkbox"/> Forest Green |

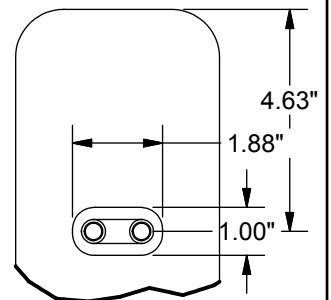
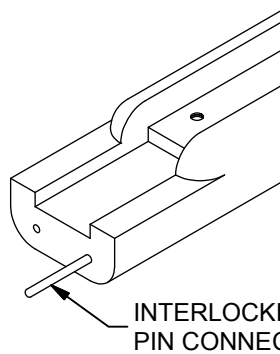
PROJECT NAME _____

PROJECT NUMBER _____

ARCHITECT _____

CONTRACTOR _____

NOTES _____



MBBP-6
Safe-Pro™ Edge Padding

© COPYRIGHT 2014 JAYPRO SPORTS, LLC. ALL RIGHTS RESERVED
THIS PRINT IS THE PROPERTY OF JAYPRO SPORTS, LLC. AND MAY NOT BE REPRODUCED WITHOUT WRITTEN PERMISSION

www.jaypro.com
(800) 243-0533
976 Hartford Turnpike
Waterford, CT 06385 USA

Sheet 1 of 2



SPECIFICATION SHEET

The Safe-Pro™ MBBP-6 edge padding shall meet all requirements / recommendations of the NCAA, NFSHSA, WNBA, and NBA. The padding shall cover the bottom surface of the board and the side surface to a distance of 17-3/8" and be not less than 2" thick. The front and back surface shall be covered to a minimum distance of 3/4" up from the bottom and be not less than 1" in thickness. The padding shall be 1" thick from the front and back surface of the backboard.

Competition series bolt-on backboard edge padding are for 72" glass backboards. Molded from color matched self-skinning urethane foam in a two-piece design. The exterior of the MBBP-6 edge pads are of a tough molded urethane skin to provide the exterior with a uniform colored appearance. Steel plates shall be molded in the padding to facilitate the attachment of the padding to the backboard with bolts. All attachment hardware shall be within the inherent molded recesses of the pads at the required attachment locations. Interlocking steel pin connectors shall be provided at the match point between the two halves to provide adequate alignment and eliminate sagging of the edge pads underneath the goal.

Packaged in pairs, one pair will complete on backboard. All 3/8" attachment hardware is included.

WARRANTY

MBBP-6 Safe-Pro™ Edge Padding shall be warranted free from manufacturing defects for a period of (8) eight years.

Color Options (Specify): Royal Blue, Navy Blue, Columbia Blue, Gray, Black, Purple, Light Purple, Maroon, Scarlet, Cardinal, Burnt Orange, Orange, Old Gold, Yellow, Kelly Green, Forest Green