

ILLUSTRATION #1

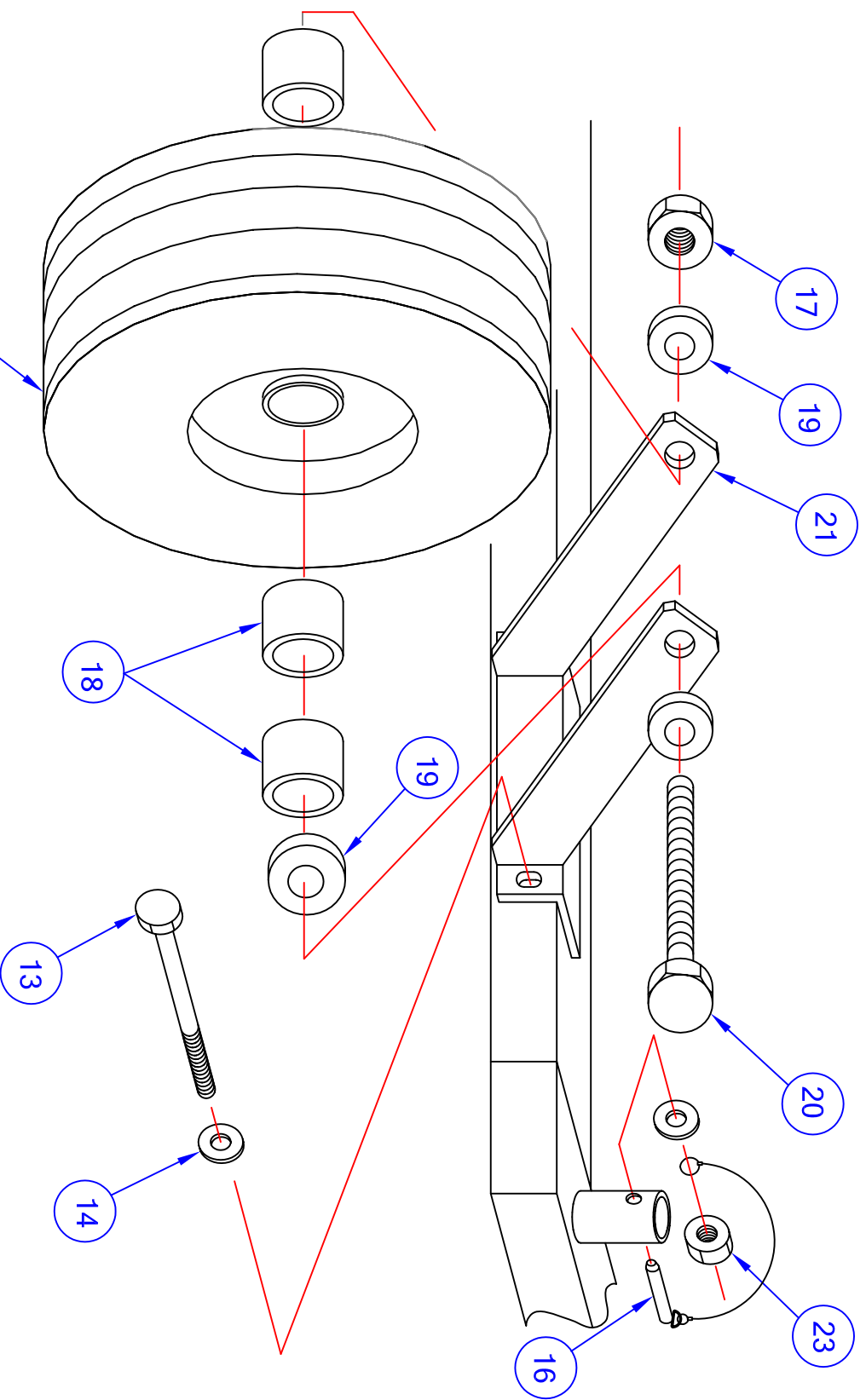
PLEASE NOTE:

- 1) FOR SAFE OPERATION AND CONTINUED HIGH PERFORMANCE FROM THIS EQUIPMENT, INSPECTION AND MAINTENANCE MUST BE PERFORMED BEFORE EACH USE
- 2) USE OF THIS EQUIPMENT OTHER THAN INTENDED, MAY BE HAZARDOUS.
- 3) ALTERATION OR MODIFICATION OF EQUIPMENT MAY BE HAZARDOUS. FOR REPAIR OR REPLACEMENT, PLEASE CALL YOUR DEALER

SEE SNT-200 ASSEMBLY
INSTRUCTIONS FOR NET CLIPS.

<p>Jaypro Sports 976 Hartford Turnpike Waterford, CT 06385 USA (800)243-0533 (800)988-3363 Fax www.jaypro.com</p>		MODEL NO.:	ISG-2010
		PRODUCT NAME:	INTERNATIONAL SOCCER GOAL
DRAWN BY: JAC	EFFECTIVE DATE:	4-24-03	

ILLUSTRATION #2



Jaypro Sports

976 Hartford Turnpike
Waterford, CT 06385 USA

(800)243-0533

(800)988-3363 Fax

www.jaypro.com

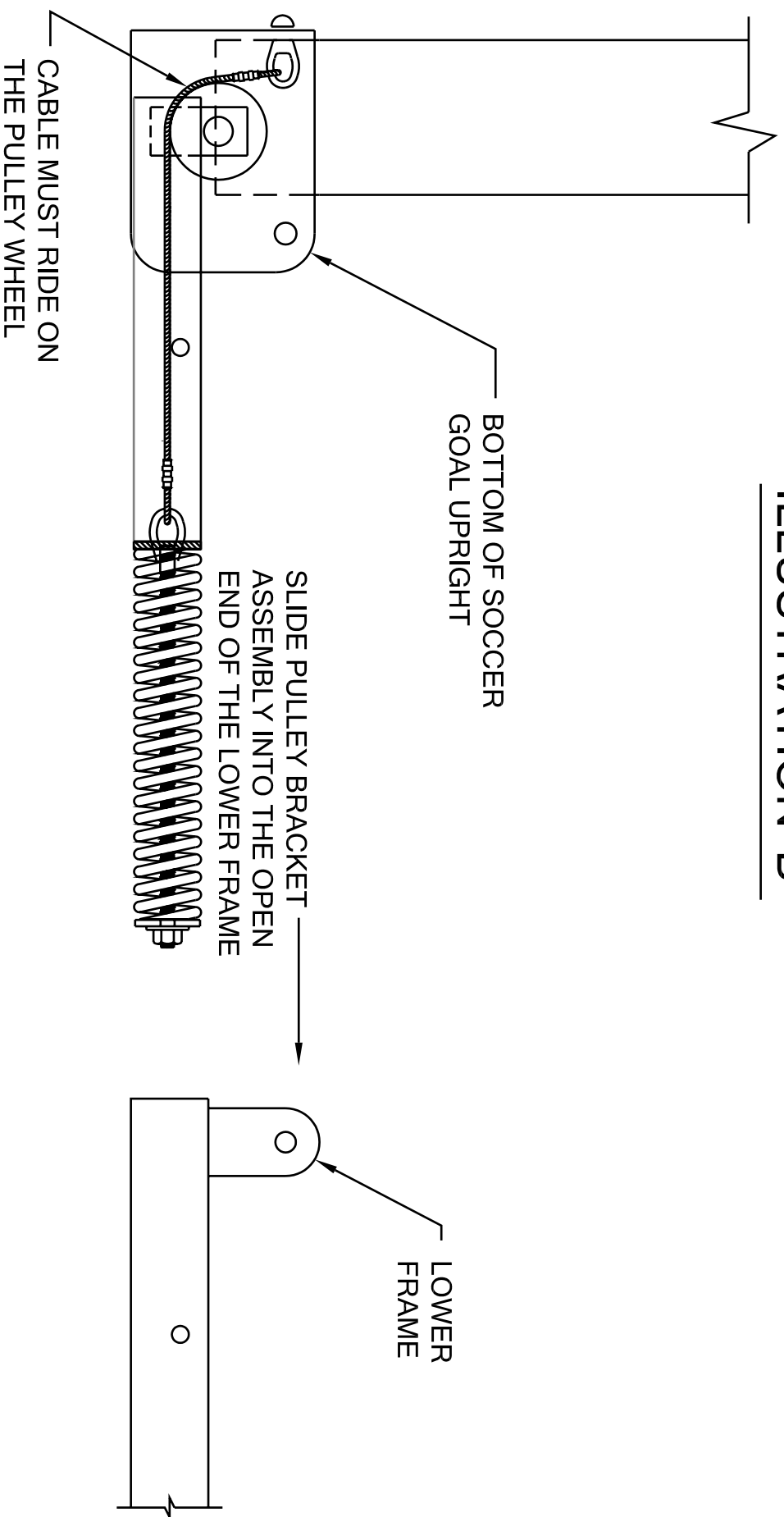
MODEL NO.:
USG-2000

PRODUCT NAME:
WHEEL KIT

DRAWN BY: JAC

EFFECTIVE DATE:
6-5-03

ILLUSTRATION 'B'



MODEL NO.:
USG-2000

PRODUCT NAME:
PULLEY BRACKET ASSEM.

1, CT 06385 USA
(800)243-0533
(800)988-3363 Fax
www.jaypro.com

DRAWN BY: JAC

EFFECTIVE DATE:
6-3-03

JAYPRO SPORTS
 ULTIMATE SOCCER GOAL, ISG-2010
LIST OF MATERIALS

<u>PIECE NO.</u>	<u>PART NO.</u>	<u>DESCRIPTION</u>	<u>QTY.</u>
1	USG201	CROSSBAR	2
2	ISG202	UPRIGHT (RIGHT SIDE)	2
3	ISG203	UPRIGHT (LEFT SIDE)	2
4	SGP722XBS	BASE CROSSBAR	2
5	USG205	LOWER FRAME (RIGHT SIDE)	2
6	USG206	LOWER FRAME (LEFT SIDE)	2
7	USG207	BACKSTAY	4
8	HS5063	HEX HEAD BOLT ½"-13 x 5 ½"	2
9	HW2044	FLATWASHER ½"	12
10	HB5026	EYE BOLT ½"-13 x 8"	2
11	HN2951	NYLON LOCK NUT ½"-13	12
12	HB5010	HEX HEAD BOLT 3/8"-16 x 4 ½"	4
13	HS5078	HEX HEAD BOLT 3/8"-16 x 5"	8
14	HW2047	FLATWASHER 3/8"	20
15	HN265	LOCK NUT 3/8"-16	4
16	USG208	BACKSTAY PIN	4
17	HN2803	THIN LOCK NUT 5/8"-11	4
18	HM6039	BRONZE BUSHING 5/8" x 5/8"	12
19	HW2043	FLATWASHER 5/8"	16
20	HS5064	HEX HEAD BOLT 5/8"-11 x 6"	4
21	USG962	WHEEL ASSEMBLY KIT	4
22	RW5002	WHEEL	4
23	HN1230	THIN LOCK NUT 3/8"-16	8
24	HS5105	ROUND HEAD BOLT ½"-13 x 1"	4
25	HW1245	LOCK WASHER ½"	4
26	HS5062	HEX HEAD BOLT ½"-13 x 5"	4
27	HS5048	HEX HEAD BOLT ½"-13 x 4 ½"	4
28	USG961	PULLEY BRACKET	4
29	HW5008	SPACER WASHER ½"	8

ASSEMBLY INSTRUCTIONS

TOOLS REQUIRED: 9/16" Box End Wrench Or Ratchet (2)
 ¾" Box End Wrench Or Ratchet (3)
 5/8" Box End Wrench Or Ratchet (4)

- 1) Identify all parts according to the above list.
- 2) First, assemble base crossbar (4) with lower frames (5 & 6). This step is vital for the proper alignment of the goal facing. Assembly of the wheels will be covered later.

- 3) Next, attach the free end of the pulley bracket cable (28) to the inside of the upright (1 or 2), as shown in illustration 'a', using $\frac{1}{2}$ "-13 x 1" round head bolt (24) and $\frac{1}{2}$ " lock washer (25). Tighten firmly.
- 4) Next, with the upright lying face down in front of the lower frame, slide the pulley bracket into the lower frame (5 or 6), spring end first as shown in illustration 'b'.
- 5) With the pulley bracket fully inserted, bring the upright to a standing position and line up the pivot tabs. Fasten using $\frac{1}{2}$ "-13 x 5" hex head bolt (26), $\frac{1}{2}$ " flatwashers, $\frac{1}{2}$ " x $\frac{1}{4}$ " spacers (29) and $\frac{1}{2}$ "-13 nylon lock nut (11) as shown in illustration 'c'. Tighten firmly but do not to bend aluminum bracket.
- 6) Now, making sure that the cable is tracking properly in the pulley bracket with the hole in the lower frame and assemble using $\frac{1}{2}$ "-13 x 4 $\frac{1}{2}$ " hex head bolt (27), and $\frac{1}{2}$ "-13 nylon lock nut. Tighten firmly.
- 7) Assemble crossbar (1) with the uprights (2 & 3) using $\frac{3}{8}$ "-16 x 4 $\frac{1}{2}$ " hex head bolts (12), $\frac{3}{8}$ " flatwashers (14), and $\frac{3}{8}$ "-16 lock nuts (15).
- 8) Assemble backstays (7) to uprights using $\frac{1}{2}$ " flatwashers and $\frac{1}{2}$ "-13 nylon lock nuts (11). Use $\frac{1}{2}$ "-13 x 6" eye bolt (10) for upright on the right side, and $\frac{1}{2}$ "-13 x 5 $\frac{1}{2}$ " hex head bolt (8) for the upright on the left side. Once assembled, the unit can be folded up for safety reasons. To do this, rotate the backstays inward and latch them onto the hooks mounted to the crossbar. The unit can now be folded down and locked into place as shown in illustration #1.
- 9) Assemble the wheel kit (21) to the base crossbar (4) with the backstay pin (16) using $\frac{5}{8}$ "-11 x 6" hex head bolt, $\frac{5}{8}$ " flatwashers (19), and $\frac{5}{8}$ "-11 nylon lock nuts (17) as shown in illustration #2. Tighten firmly.

NOTE: The "right" and "left" references refer to the goal as you look at it.