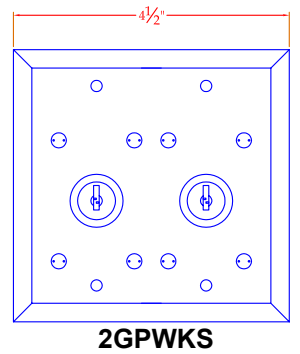
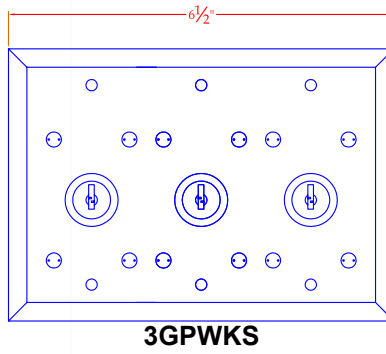
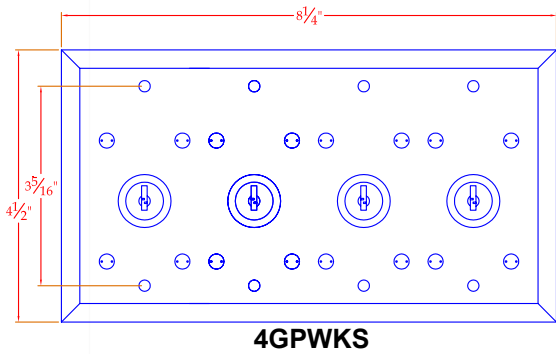
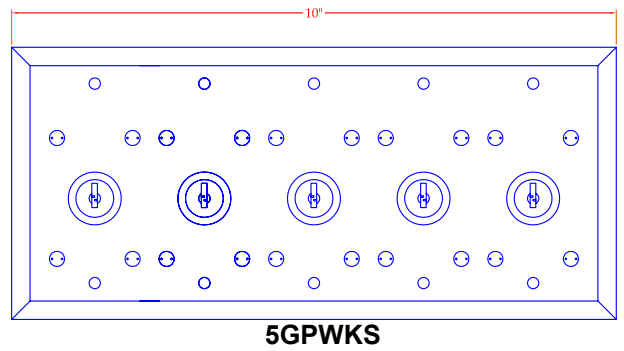
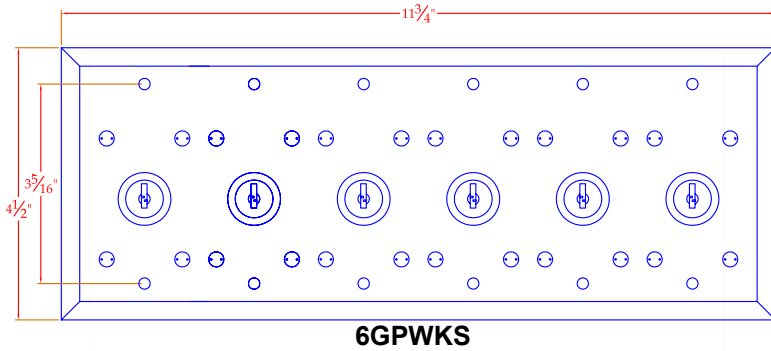
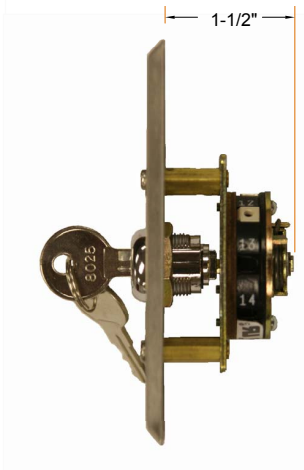




# #GPWKS GANGED MOMENTARY CONTACT KEY SWITCHES

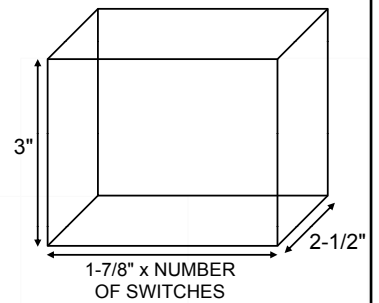


### SIDE VIEW



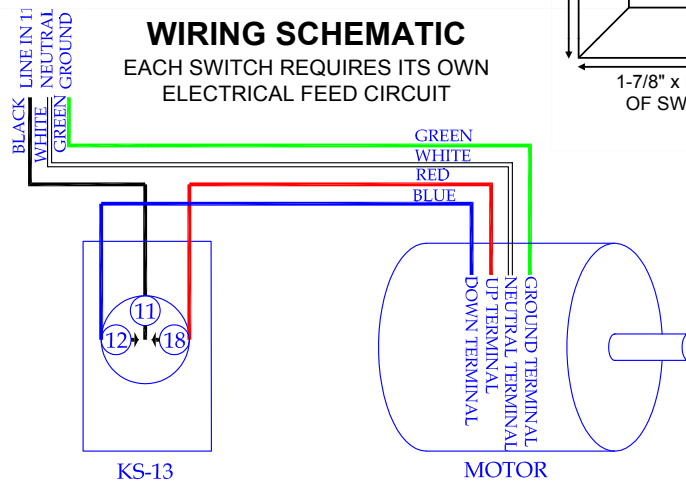
2 KEYS PROVIDED PER SWITCH

ELECTRICAL DEVICE BOX (SUPPLIED BY OTHERS)



### WIRING SCHEMATIC

EACH SWITCH REQUIRES ITS OWN ELECTRICAL FEED CIRCUIT



PROJECT NAME \_\_\_\_\_

PROJECT NUMBER \_\_\_\_\_

ARCHITECT \_\_\_\_\_

CONTRACTOR \_\_\_\_\_

NOTES \_\_\_\_\_



## #GPWKS

GANGED MOMENTARY CONTACT KEY SWITCHES

© COPYRIGHT 2014 JAYPRO SPORTS, LLC. ALL RIGHTS RESERVED  
THIS PRINT IS THE PROPERTY OF JAYPRO SPORTS, LLC. AND MAY NOT BE REPRODUCED WITHOUT WRITTEN PERMISSION

www.jaypro.com  
(800) 243-0533  
976 Hartford Turnpike  
Waterford, CT 06385 USA



## SPECIFICATION SHEET

Momentary Contact Two Position Key Switch #GPWKS gang mounted on a stainless steel cover comes standard with two keys per switch. Key switch is designed to control a 110V/15A Backstop winch (TW-2000 / SBBW-4), Curtain winch (CW-1800 / TR-2500CV / SBCW-3), Mat hoist (MW4600 / MWS4600), or Electric Height Adjuster (EHA-XX). Each key switch is spring loaded with automatic return to OFF. Two momentary positions, UP and DOWN are provided utilizing the same key. This allows the operator to instantly reverse the direction of the device during operation. The key switch should only be used with winches offering this advantage.

Gang key switches should be mounted into a device box, supplied by others, that is at least 3" x {1-7/8" x #} x 2-1/2" (H x W x D), where "#" equals the number of switches (2 - 6 key switches). Each switch requires a unique electrical feed circuit. Gang key switch should be mounted in clear view of all operated equipment to ensure of unobstructed view during operation. All wires, device boxes and wiring shall be done to local codes by the electrical contractor.

The UL recognized KS-13 is rated at 15A at 125VAC. Three solder less connectors are provided for attaching wires to the terminals.

### Part Numbering:

- 2GPWKS - Two Key Switches
- 3GPWKS - Three Key Switches
- 4GPWKS - Four Key Switches
- 5GPWKS - Five Key Switches
- 6GPWKS - Six Key Switches