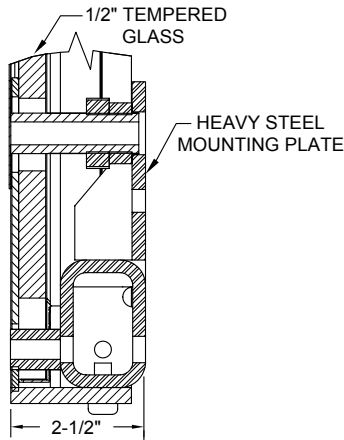
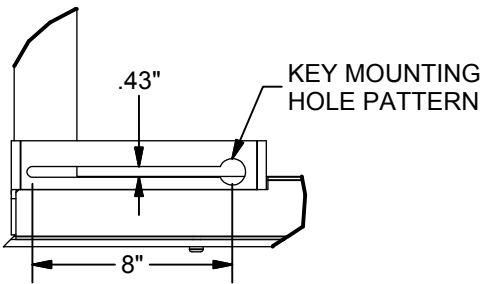




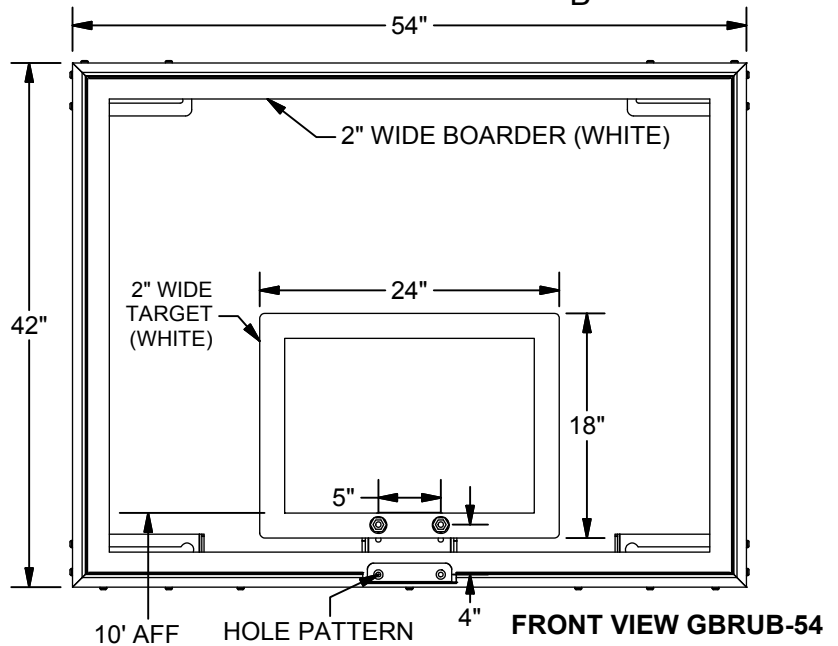
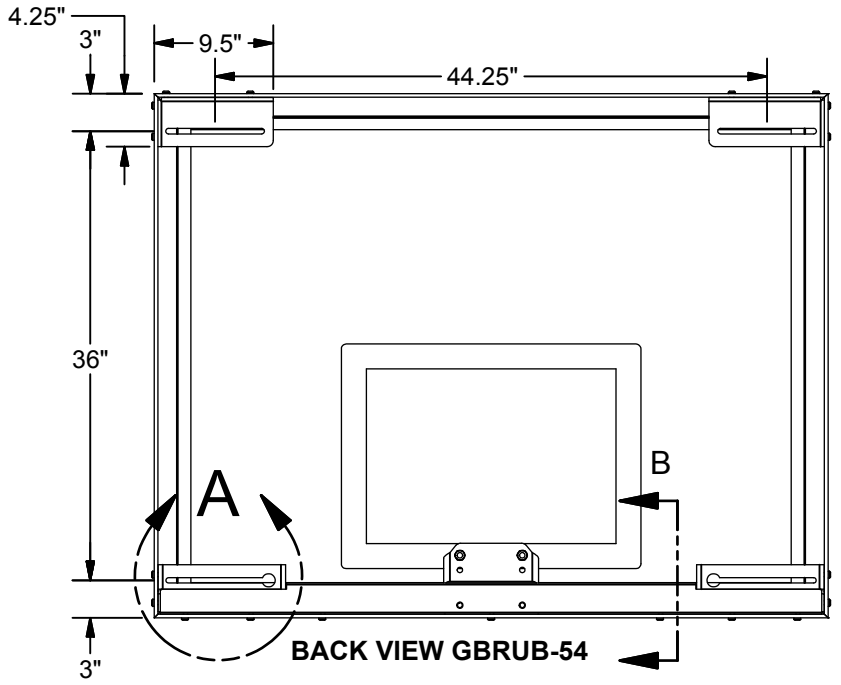
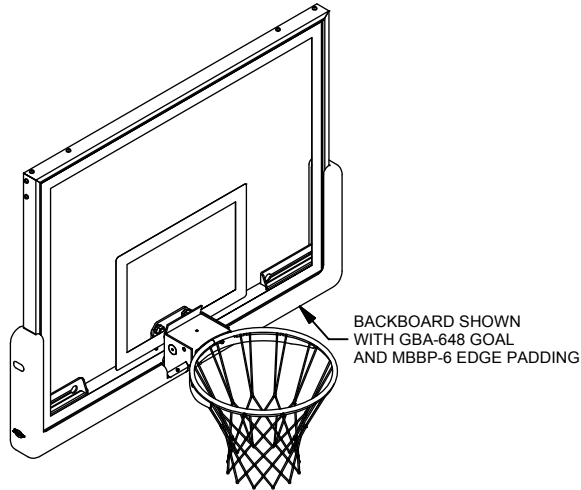
# GBRUB-54 42" x 54" TEMPERED GLASS RECTANGULAR BACKBOARD



**SECTION B-B**



**DETAIL A**



PROJECT NAME \_\_\_\_\_

PROJECT NUMBER \_\_\_\_\_

ARCHITECT \_\_\_\_\_

CONTRACTOR \_\_\_\_\_

NOTES \_\_\_\_\_

## OPTIONAL EQUIPMENT:

**GOAL:** BREAKAWAY OR FIXED (SPECIFY) WITH FRONT MOUNT 4" x 5" HOLE PATTERN

**EDGE PADDING:** BOLT-ON SafePro™ MBBP-54 ADHESIVE (GGB-2)



INNOVATION, PERFORMANCE AND COMMITMENT SINCE 1953

## GBRUB-54

42" x 54" TEMPERED GLASS RECTANGULAR BACKBOARD WITH REINFORCED ALUMINUM FRAME

© COPYRIGHT 2014 JAYPRO SPORTS, LLC. ALL RIGHTS RESERVED THIS PRINT IS THE PROPERTY OF JAYPRO SPORTS, LLC. AND MAY NOT BE REPRODUCED WITHOUT WRITTEN PERMISSION

www.jaypro.com  
(800) 243-0533  
976 Hartford Turnpike  
Waterford, CT 06385 USA

Sheet 1 of 2



## SPECIFICATION SHEET

### **BACKBOARD**

Backboard shall be 42" x 54" to meet all NCAA, NFHSA, WNBA and NBA requirements. ½" tempered glass cushioned within a shock absorbing vinyl gasket. Constructed of high strength clear anodized aluminum channel outer frame with engineered lower reinforced steel member. Designed to transfer impact load on goal directly to support structure, without imparting any stress on the glass. May be used with either direct mount or four-corner-mounting applications. Pre-drilled for Safe-Pro™ bolt-on edge padding. Official "white" border and target to be permanently fused into the face of the glass.

### **GOAL MOUNTING**

Goal mounting pattern is 4" x 5". Goal mounting plate is offset from glass to eliminate direct contact and eliminate stress. Added feature provides independent leveling of the goal.

### **WEIGHT**

200 lbs.

### **WARRANTY**

The GBRUB-54 Glass Backboard has a limited lifetime warranty. This warranty warrants the end user against breaks and/or cracks in the Glass Backboard for the lifetime of the product, when subjected to normal use and conditions.

### **OPTIONS**

Goals with a 4" x 5" mounting pattern, Edge Padding (MBBP-54, Safe-Pro™ Bolt-On Edge Padding or GBB-2, Glue-On Edge Padding)