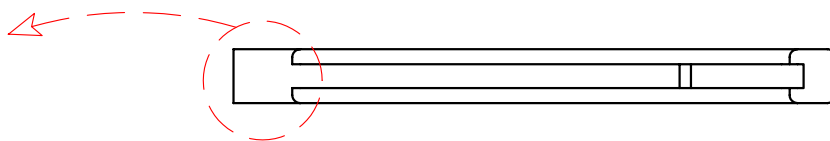
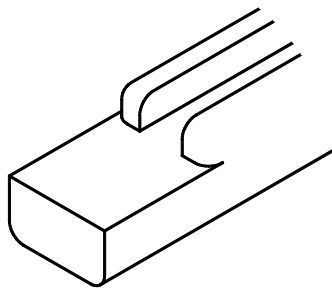
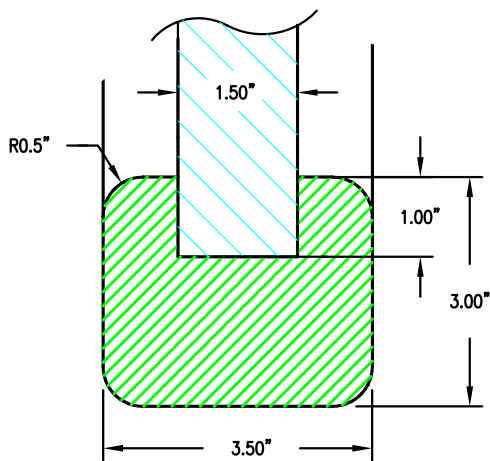
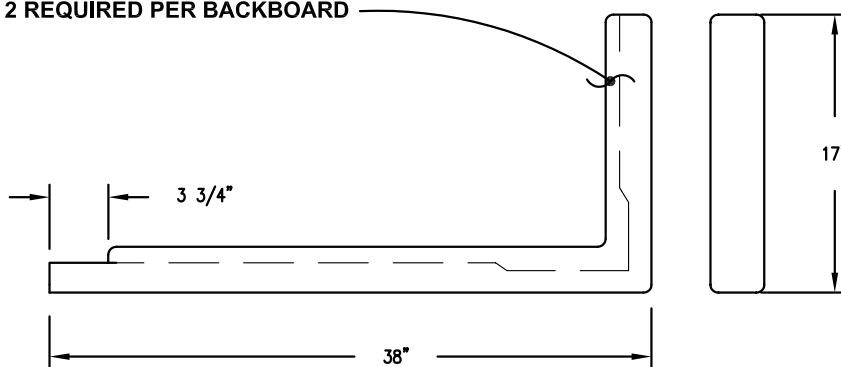


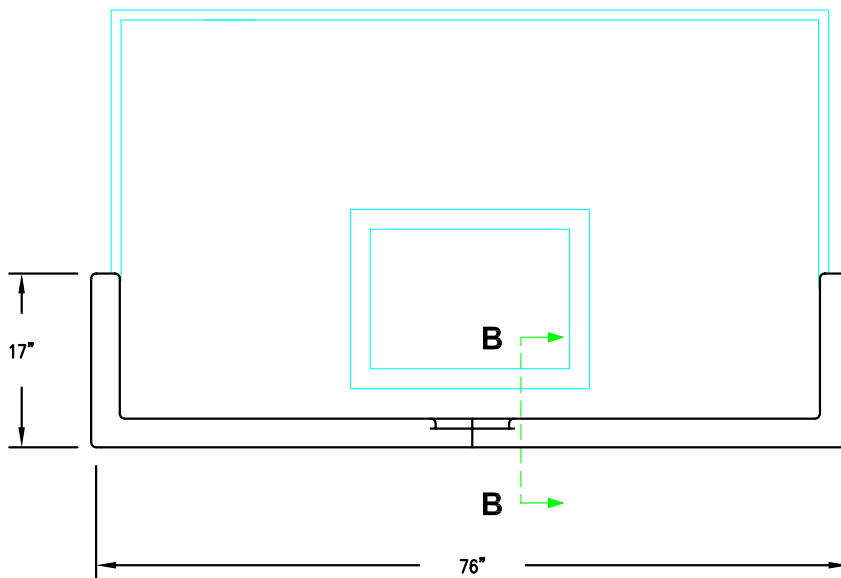
GBB-15 GLUE-ON EDGE PADDING



2 REQUIRED PER BACKBOARD

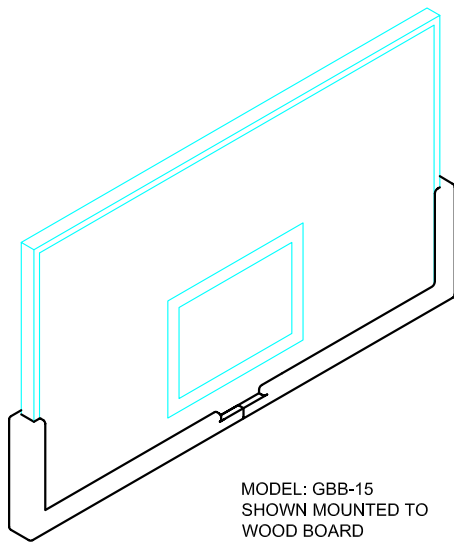


SECTION B-B



FRONT VIEW

AVAILABLE IN GREY COLOR



MODEL: GBB-15
SHOWN MOUNTED TO
WOOD BOARD

REV.	DESCRIPTION	DATE	BY
A	UPDATED MODEL	2/3/06	MT

**GBB-15
GLUE-ON EDGE PADDING
FOR 42" & 48" WOOD OR
FIBERGLASS BACKBOARDS**

THIS PRINT IS THE PROPERTY OF JAYPRO SPORTS, LLC.
AND MAY NOT BE REPRODUCED WITHOUT WRITTEN PERMISSION



www.jaypro.com
976 HARTFORD TURNPIKE
WATERFORD, CT 06385 USA

DRAWING NAME / PART NO.:	
GBB-15	
DRAWN BY:	CHK'D BY:
MT	DM
ISSUE DATE:	
2/3/06	
SHEET:	REV.
1 OF 1	A

GBB-15

GLUE ON BACKBOARD PADDING FOR RECTANGULAR WOOD OR FIBERGLASS BOARDS

The GBB-15 edge padding shall meet all the requirements/recommendations of the NCAA, NFSHSA, WNBA, and NBA. The padding shall cover the bottom surface of the board and the side surface to a distance of 15" and be not less than 2" thick. The front and back surface shall be covered to a minimum distance of ¾" up from the bottom and be not less than 1" in thickness. The padding shall be 1" thick from the front and back surfaces of the backboard.

Competition series glue on backboard edge guards are for 72" wide wood or fiberglass backboards. Molded from color matched self-skinning urethane foam in two-piece design. The exterior of the GBB-15 pads are of a tough molded urethane skin to provide the exterior with a uniform colored appearance. Packaged in pairs, one pair will complete one backboard. Contact Cement is provided for attachment of the padding to the board.

GBB-15 shall be warranted free from manufacturing defects for a period of 3 years.