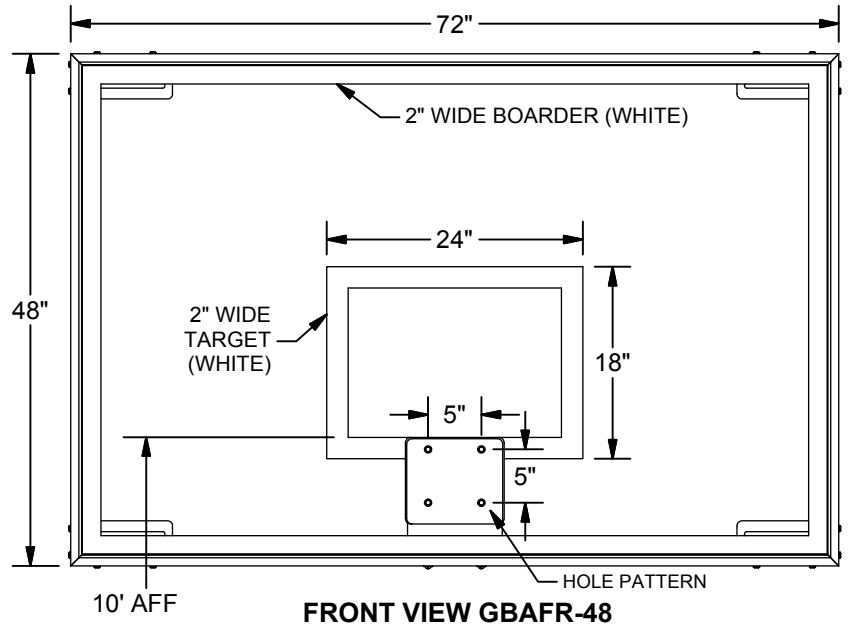
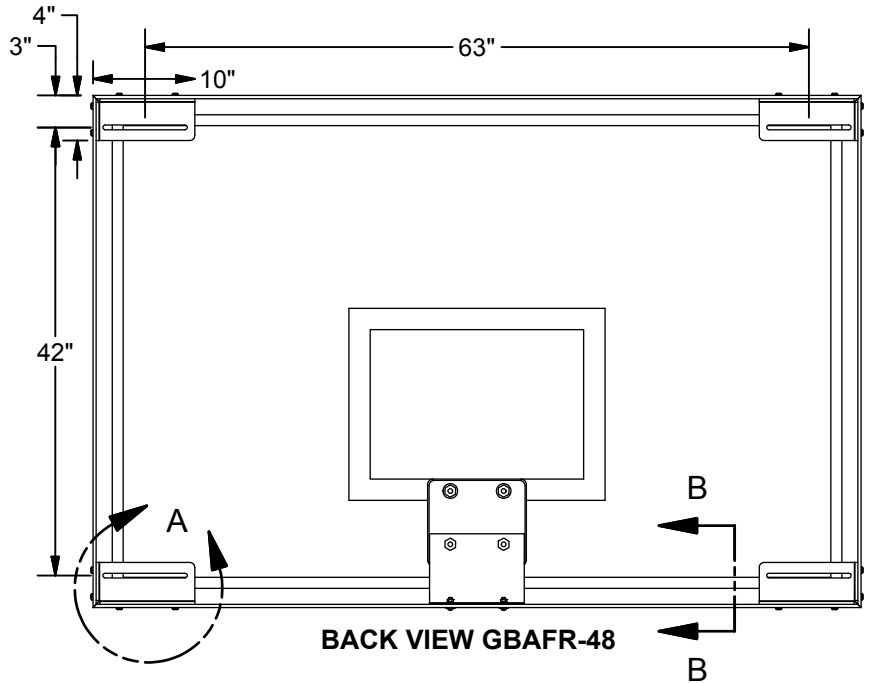
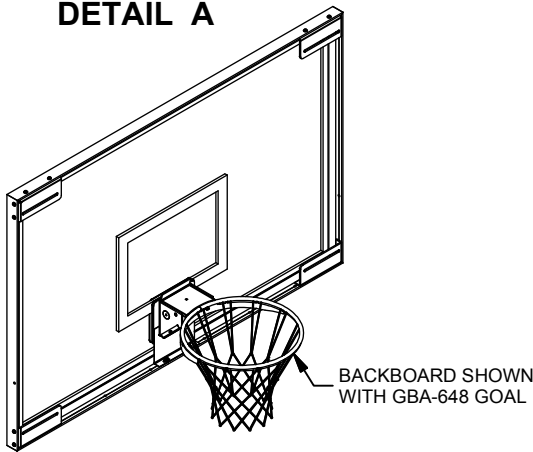
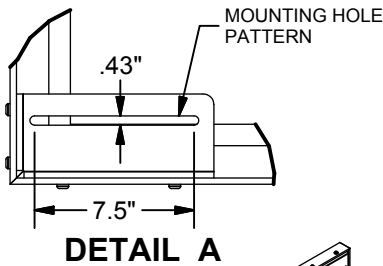
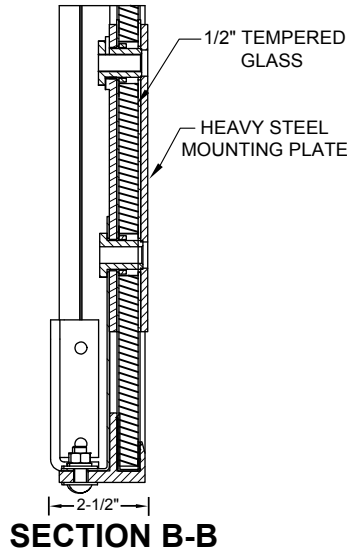




# GBAFR-48 48" x 72" TEMPERED GLASS RECTANGULAR BACKBOARD



PROJECT NAME \_\_\_\_\_

PROJECT NUMBER \_\_\_\_\_

ARCHITECT \_\_\_\_\_

CONTRACTOR \_\_\_\_\_

NOTES \_\_\_\_\_

### OPTIONAL EQUIPMENT:

**GOAL:** BREAKAWAY OR FIXED (SPECIFY) WITH FRONT MOUNT 5" x 5" HOLE PATTERN

**EDGE PADDING:** BOLT-ON (Safe-Pro™ MBBP-6) ADHESIVE (GBB-2)



**GBAFR-48**  
48" x 72" TEMPERED GLASS RECTANGULAR BACKBOARD WITH REINFORCED ALUMINUM FRAME  
© COPYRIGHT 2014 JAYPRO SPORTS, LLC. ALL RIGHTS RESERVED  
THIS PRINT IS THE PROPERTY OF JAYPRO SPORTS, LLC. AND MAY NOT BE REPRODUCED WITHOUT WRITTEN PERMISSION

www.jaypro.com  
(800) 243-0533  
976 Hartford Turnpike  
Waterford, CT 06385 USA  
Sheet 1 of 2



## SPECIFICATION SHEET

### **BACKBOARD**

Backboard shall be 48" x 72" to meet all NCAA, NFHSA, WNBA and NBA requirements. ½" tempered glass cushioned within a shock absorbing vinyl gasket. Constructed of high strength clear anodized aluminum channel outer frame. Designed to transfer impact load on goal directly to support structure, without imparting any stress on the glass when used with direct goal mount. May be used with either direct mount or four-corner-mounting applications. Standard mounting slots provided at 42" x 62"/66" on the rear corners of the board. Pre-drilled for Safe-Pro™ bolt-on edge padding. Official "white" border and target to be permanently fused into the face of the glass.

### **GOAL MOUNTING**

Goal mounting pattern is 5" x 5". Goal mounting plate is offset from glass to eliminate direct contact and eliminate stress. Added feature provides independent leveling of the goal.

### **WEIGHT**

200 lbs.

### **WARRANTY**

The GBAFR-48 Glass Backboard has a limited lifetime warranty when used with direct goal mount applications. This warranty warrants the end user against breaks and/or cracks in the Glass Backboard for the lifetime of the product, when subjected to normal use and conditions.

### **OPTIONS**

Goals with a 5" x 5" mounting pattern, Edge Padding (MBBP-6, Safe-Pro™ Bolt-On Edge Padding or GBB-2, Glue-On Edge Padding)