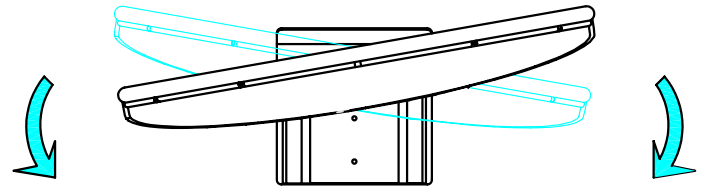
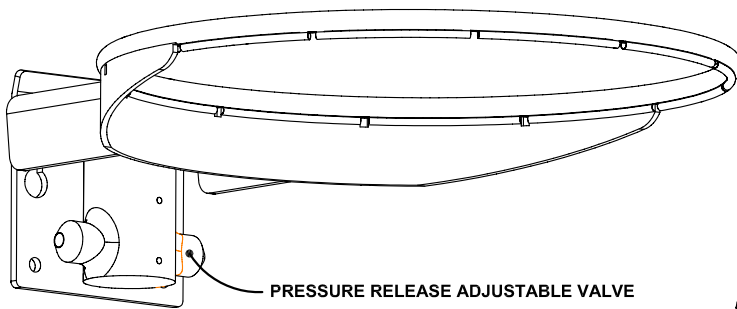


GBA-180

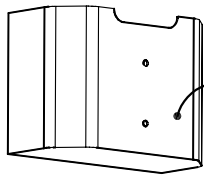
180° Breakaway Goal



BREAKAWAY VIEW

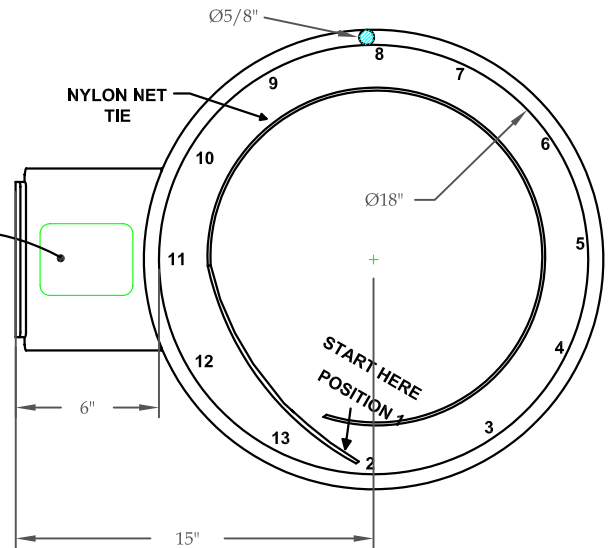


PRESSURE RELEASE ADJUSTABLE VALVE

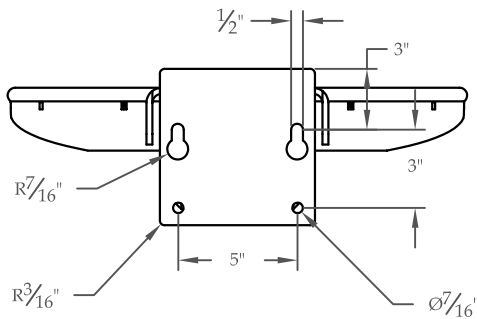


VALVE COVER STICKER

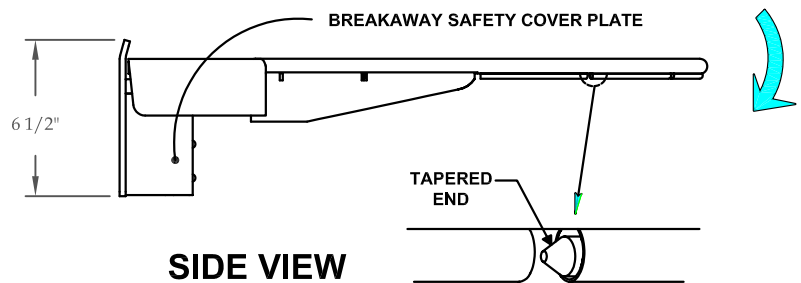
BREAKAWAY SAFETY COVER PLATE



TOP VIEW



BACK VIEW



SIDE VIEW

HIDE AWAY NET ATTACHMENT SYSTEM (12 places)

REV.	DESCRIPTION	DATE	BY
A	ADDED NEW FEATURES	9/16/04	MT

GBA-180 180° Breakaway Goal

COPYRIGHT 2006
JAYPRO SPORTS, LLC.
ALL RIGHTS RESERVED

THIS PRINT IS THE PROPERTY OF JAYPRO SPORTS, LLC.
AND MAY NOT BE REPRODUCED WITHOUT WRITTEN PERMISSION



www.jaypro.com

976 HARTFORD TURNPIKE
WATERFORD, CT 06385 USA

DRAWING NAME / PART NO.:
GBA-180

DRAWN BY:
MT

CHK'D BY:
DM

ISSUE DATE:
02/09/2006

SHEET:
1 OF 1

REV.
A

GBA-180

ADJUSTABLE 180° BREAKAWAY BASKETBALL GOAL

Official Basketball Goal is manufactured to meet all NCAA, FIBA and NFSHSA regulations. 18" inside diameter ring is manufactured out of 5/8" diameter steel rod. Bracing of the ring is by 3/16" die cut steel brace welded to the underside of the ring. Hideaway net attachment system located on the underside of the ring to secure the anti-whip net (included). The ring shall be attached to a positive lock pressure release mechanism that allows the ring to release in any direction when someone "slam dunks" the ball or hangs on the ring. This mechanism also absorbs the energy associated with those actions. The goal is pre-set to 180lbs-230lbs. The mechanism is completely field adjustable and can be set to provide rebound characteristics that are the identical characteristics of non-movable rings per the latest NCAA recommendations.

The attachment mechanism shall position the inside of the ring 6" from the face of the backboard. The complete goal shall be finished in a durable orange finish. Complete with mounting hardware, the GBA-600 incorporates a mounting plate that adapts to the majority of backboards sold.

This is the official product of the NFSHA.

The goal shall be warranted for a period of three years.