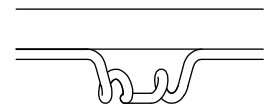
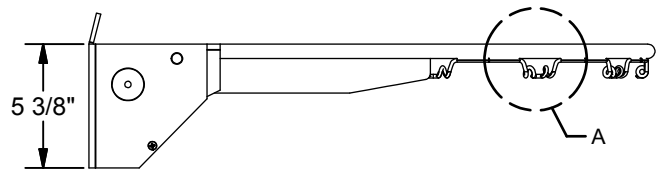
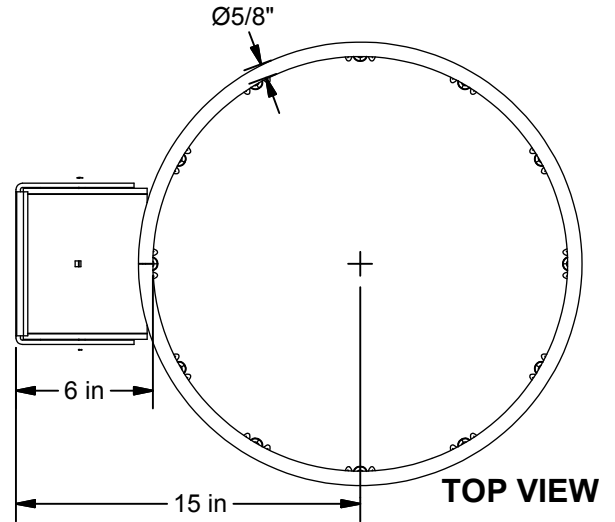
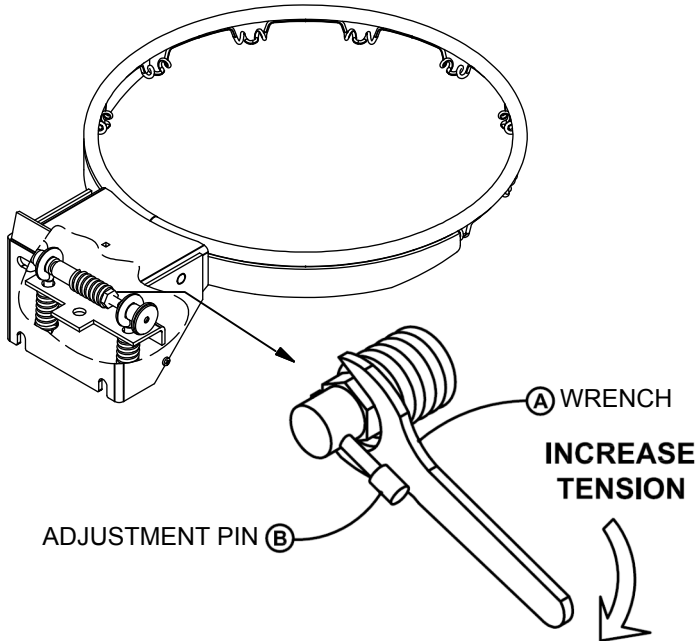
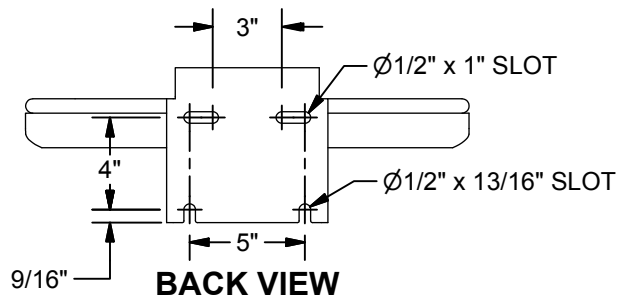




# GBA-542 COLLEGIATE "SHOT" GOAL



**DETAIL A**  
**PIG TAIL NET ATTACHMENT SYSTEM**  
(12 PLACES)



PROJECT NAME \_\_\_\_\_

PROJECT NUMBER \_\_\_\_\_

ARCHITECT \_\_\_\_\_

CONTRACTOR \_\_\_\_\_

NOTES \_\_\_\_\_



## GBA-542

### COLLEGIATE "SHOT" GOAL

© COPYRIGHT 2014 JAYPRO SPORTS, LLC. ALL RIGHTS RESERVED  
THIS PRINT IS THE PROPERTY OF JAYPRO SPORTS, LLC. AND MAY  
NOT BE REPRODUCED WITHOUT WRITTEN PERMISSION

www.jaypro.com  
(800) 243-0533  
976 Hartford Turnpike  
Waterford, CT 06385 USA



## **SPECIFICATION SHEET**

Official Basketball Goal is manufactured to meet all NBA, WNBA, NCAA and NFHS regulations. 18" inside diameter ring is manufactured out of 5/8" diameter steel rod. Bracing of the ring is by 3/16" die cut steel brace welded to the underside of the ring. Net attachment shall be done with 12 "pigtail" loops welded to the underside of the 5/8" ring to secure the anti-whip net (included).

The ring shall be attached to a positive lock pressure release mechanism that allows the ring to release when someone "slam dunks" the ball or hangs on the ring. The mechanism also absorbs the energy associated with those actions. The goal is pre-set to 180 lbs - 230 lbs. The mechanism is completely field adjustable and can be easily set to provide rebound characteristics that are identical characteristics of non-movable rings per NCAA recommendations. Adjustment pin and wrench included.

The attachment flange shall position the inside of the ring 6" from the face of the backboard. The complete goal shall be finished in a durable orange finish. Complete with mounting hardware, the GBA-542 incorporates a universal mounting plate that adapts to the majority of backboards sold.

### **WARRANTY**

The GBA-542 Collegiate "Shot" Goal shall have a limited warranty for a period of (7) seven years.