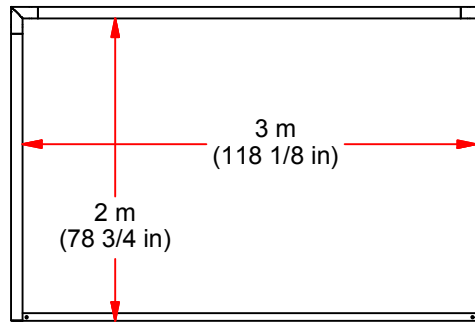
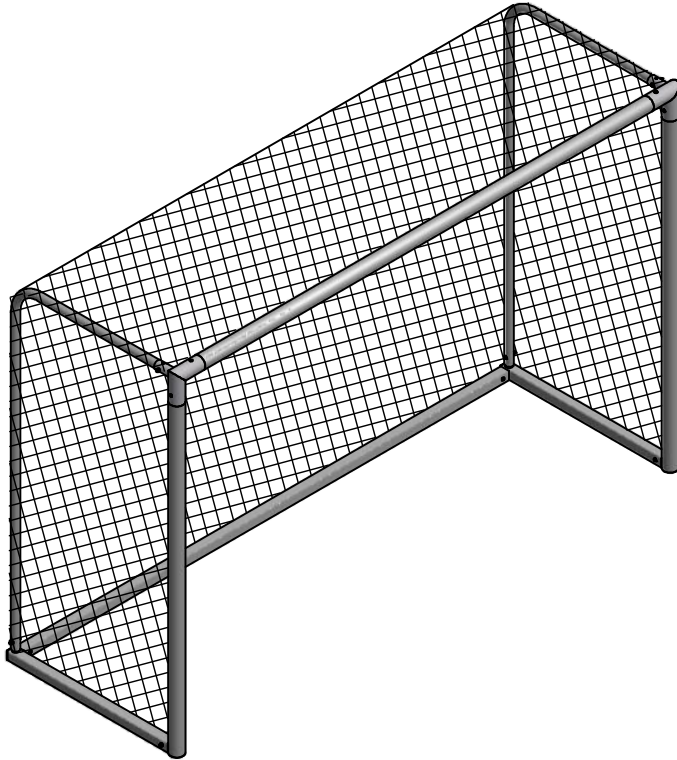
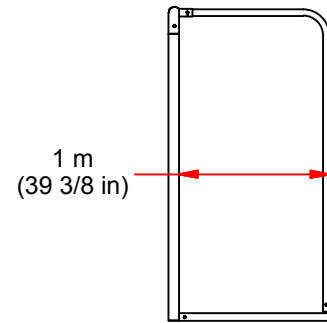


# FSG67910 FUTSAL GOAL ASSEMBLY INSTRUCTIONS



FRONT  
VIEW




SIDE  
VIEW

**TOOLS REQUIRED:**

- 7/32 in Allen Wrench
- 9/16 in Socket Wrench or Comination Wrench
- Rubber Mallet

**IMPORTANT NOTICE:**

- 1) BEFORE EACH USE CHECK EQUIPMENT FOR PROPER CONNECTING HARDWARE AND STRUCTURAL INTEGRITY. REPLACE DAMAGED OR MISSING HARDWARE IMMEDIATELY.
- 2) USE OF THIS EQUIPMENT OTHER THAN INTENDED, MAY BE HAZARDOUS.
- 3) ALTERATION OR MODIFICATION OF THIS EQUIPMENT MAY BE HAZARDOUS AND RESULT IN INJURY. FOR REPAIR OR REPLACEMENT, CONTACT YOUR DEALER OR JAYPRO SPORTS.

PHONE: 800.243.0533 (TOLL FREE) 860.447.3001 (LOCAL)				FAX: 860.444.1779 (SALES) 860.440.0628 (ENG.)	
<small>JAYPRO SPORTS, LLC, 976 HARTFORD TURNPIKE, WATERFORD, CT 06385 USA <a href="http://www.jaypro.com">www.jaypro.com</a></small>					
DESCRIPTION <b>FUTSAL GOAL CUSTOMER ASSEMBLY INSTRUCTIONS</b>					
PART NUMBER <b>FSG67910</b>			DWN BY DONL		CHKD BY WVB
SIZE A	SCALE NONE	DATE 3/25/2011	REV A	SHEET 1 OF 5	
<small>THIS DRAWING IS THE SOLE PROPERTY OF JAYPRO SPORTS INC. AND MAY NOT BE REPRODUCED WITHOUT WRITTEN PERMISSION OR CONSENT</small>					



# FSG67910 FUTSAL GOAL ASSEMBLY INSTRUCTIONS

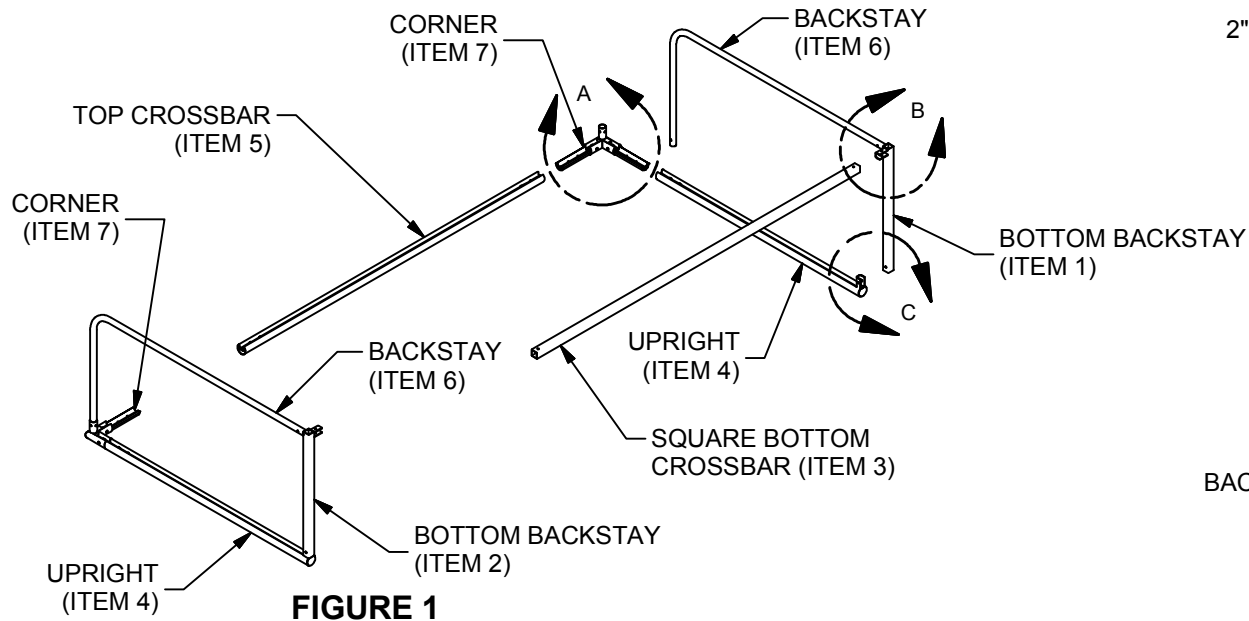
- 1) UNPACK ALL PARTS AND CHECK AGAINST PARTS LIST TO ENSURE THAT ALL PARTS HAVE BEEN INCLUDED
- 2) INSPECT FOR DAMAGE. REPORT ALL DAMAGES TO TRUCKING COMPANY.
- 3) LAY PARTS OUT ON CLEAN DRY FLOOR AS SHOWN IN FIGURE 1
- 4) ASSEMBLE CORNER (ITEM 7) WITH UPRIGHT (ITEM 4) DO NOT ADD HARDWARE AT THIS TIME. SEE DETAIL **A**
- 5) INSTALL END CAP USING RUBBER Mallet TO BOTTOM BACKSTAY (ITEM 1 & 2) SEE DETAIL **B**
- 6) ASSEMBLE THE BACKSTAY (ITEM 6) INTO THE HUB OF THE CORNER FITTING (ITEM 7) USING 2-1/2" LONG SCREW
- 7) ASSEMBLE BOTTOM BACKSTAY (ITEM 1) TO ASSEMBLED CORNER AND UPRIGHT. SEE DETAIL **C**, DO NOT ADD HARDWARE
- 8) WITH THE HELP OF A SECOND PERSON ASSEMBLE THE BACKSTAY (ITEM 6) YOU MAY NEED TO LIFT UP ON THE BOTTOM BACKSTAY TO FIT TOGETHER. NOW ADD THE BOLTS, WAHRSERS OR NUTS AS SHOWN IN DETAILS **A**, **C**, AND **D**; DO NOT TIGHTEN HARDWARE COMPLETELY YET
- 9) REPEAT STEPS 4, 5, 6 AND 7 TO ASSEMBLE UPRIGHT ON OPPOSITE SIDE
- 10) SLIDE TOP CROSSBAR (ITEM 5) INTO CORNER AND INSTALL HARDWARE SHOWN IN DETAIL **E**, DO NOT TIGHTEN BOLTS COMPLETELY.
- 11) ASSEMBLE OPPOSITE UPRIGHT TO CROSSBAR WITH HARDWARE SHOWN IN DETAIL **E** AND AGAIN DO NOT TIGHTEN BOLTS COMPLETELY
- 12) WITH THE HELP OF A SECOND PERSON ASSEMBLE THE SQUARE BOTTOM CROSSBAR (ITEM 3) TO THE BOTTOM BACKSTAYS USING HARDWARE SHOWN. SEE DETAIL **F** AGAIN DO NOT TIGHTEN THE HARDWARE COMPLETELY.
- 13) CUT AND APPLY ANTI-SKID PAD TO BOTTOM SURFACES OF UPRIGHT, BOTTOM BACKSTAYS AND SQUARE BOTTOM CROSSBAR.
- 14) WITH THE HELP OF A SECOND PERSON STAND THE GOAL UP-RIGHT
- 15) SQUARE THE FRAME AND TIGHTEN ALL HARDWARE. START BY ALIGNING THE CORNER PIECE WITH THE UPRIGHT EXTRUSION AND CLOSING ANY GAP BETWEEN THE CORNER AND THE UPRIGHT. NOW TIGHTEN THE TWO SCREWS FURTHEST FROM THE CORNER HUB. ONCE THEY ARE SECURE YOU CAN TIGHTEN THE BOLT CLOSEST TO THE CORNER HUB. FOLLOW THIS SAME PROCEDURE FOR SECURING THE CROSSBAR TO THE CORNER PIECE. ONCE THE CORNERS ARE SECURED THE REST OF THE GOAL HARDWARE CAN BE TIGHTENED DOWN.
- 16) LAYOUT NET AND IDENTIFY CORNERS. DRAPE NET OVER OR UNDER FRAME AND ATTACH USING VELCRO STRIPS CUT AT 12 INCHES LONG EACH AND SPACED APPROXIMATLEY 12 INCHES APART

## **AS AN OPTION**

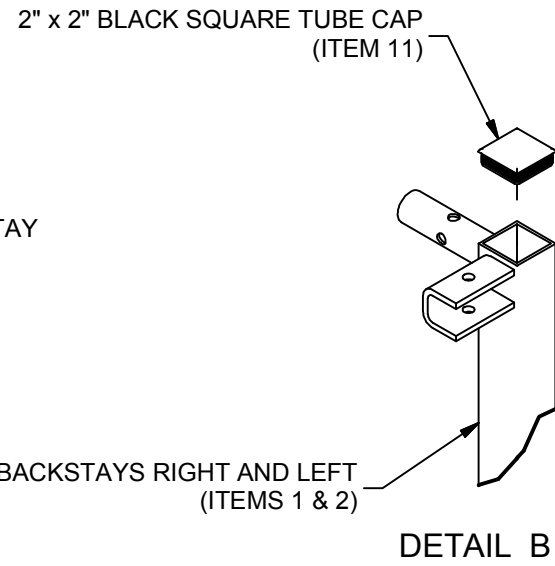
- 17) TO MINIMIZE THE AMOUNT OF SAG ACROSS THE BACK OF THE NET, WEAVE THE CORD (SUPPLIED WITH THE ASSEMBLY KIT) THROUGH THE MESH AND SECURELY TIE IT OFF ALONG THE CORNER ELBOW OF EACH BACKSTAY.

PHONE: 800.243.0533 (TOLL FREE) 860.447.3001 (LOCAL)				FAX: 860.444.1779 (SALES) 860.440.0628 (ENG.)	
<small>JAYPRO SPORTS, LLC, 976 HARTFORD TURNPIKE, WATERFORD, CT 06385 USA www.jaypro.com</small>					
DESCRIPTION FUTSAL GOAL CUSTOMER ASSEMBLY INSTRUCTIONS					
PART NUMBER FSG67910			DWN BY DONL		CHKD BY WVB
SIZE A	SCALE N/A	DATE 3/25/2011	REV A	SHEET 2 OF 5	
<small>THIS DRAWING IS THE SOLE PROPERTY OF JAYPRO SPORTS INC. AND MAY NOT BE REPRODUCED WITHOUT WRITTEN PERMISSION OR CONSENT</small>					

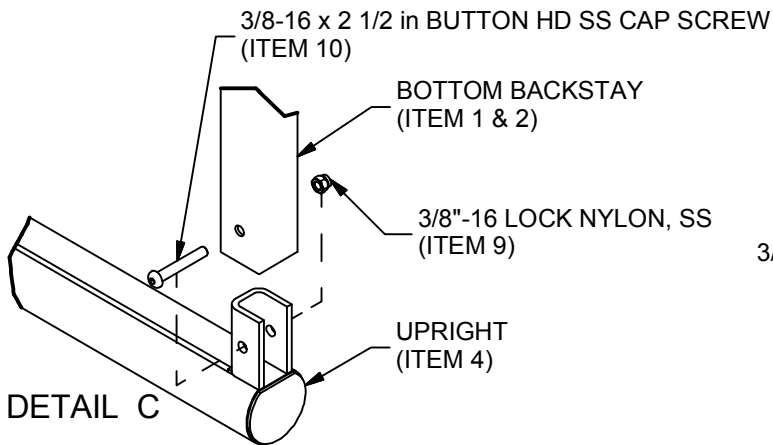




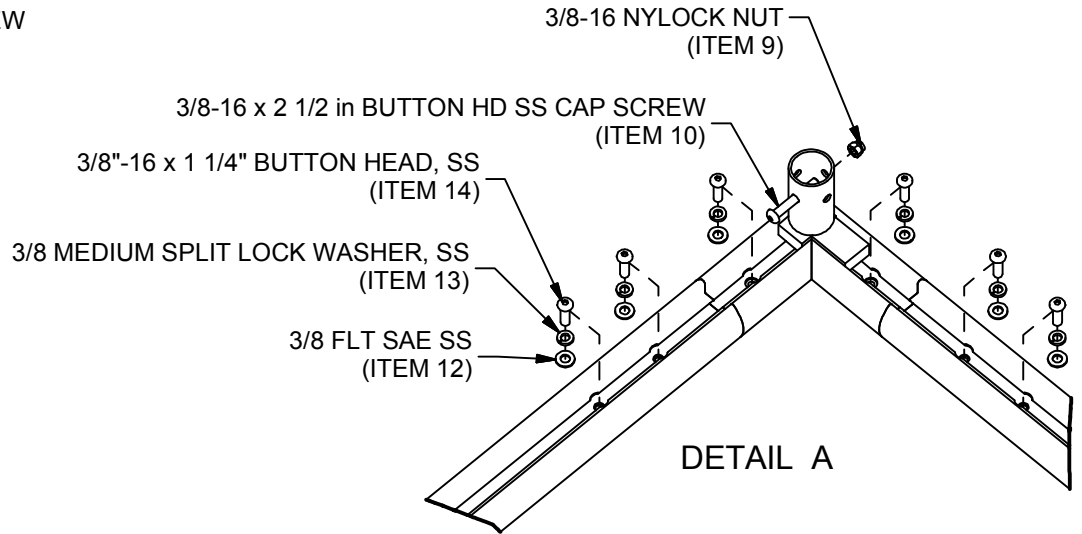
**FIGURE 1**



**DETAIL B**



**DETAIL C**



**DETAIL A**

**IMPORTANT NOTE: ALL THE SCREWS IN THIS ASSEMBLY LOOK ALIKE BUT THERE ARE THREE DIFFERENT LENGTHS. IT IS IMPORTANT THAT ATTENTION IS GIVEN TO USING THE CORRECT LENGTH IN EACH LOCATION.**

10	6	HS5202	N/A	3/8-16 x 2 1/2 in BUTTON HD SS CAP SCREW	1	1	FSG67910-3	A	BOTTOM BACKSTAY LEFT
					2	1	FSG67910-4	A	BOTTOM BACKSTAY RIGHT
11	2	EP0018	N/A	2" x 2" BLACK SQUARE TUBE CAP	3	1	FSG67910-6	-	SQUARE CROSSBAR
12	12	HW2151	N/A	3/8 FLT SAE SS	4	2	FSG67910-2	B	FUTSAL GOAL UPRIGHT
13	12	HW2152	N/A	3/8 MEDIUM SPLIT LOCK WASHER, SS	5	1	FSG67910-5	A	TOP CROSSBAR
14	12	HS5225	N/A	3/8"-16 x 1 1/4" BUTTON HEAD, SS	6	2	FSG67910BS	-	BACKSTAY 1.66 DIA
15	2	HS5157	-	3/8"-16 x 2 1/4" BUTTON HD SCREW	7	2	FSG67910-1	B	FUTSAL GOAL CORNER
16	1	SINT-40	-	VELCRO (40 COUNT@15 in)	8	1	FSG67910N	-	FUTSAL NET
17	1	RR5023	-	1 1/2 in x 17 ft ANTI-SKID PAD	9	8	HN5003	N/A	3/8"-16 LOCK NYLON, SS
ITEM	QTY	PART #	REV	DESCRIPTION	ITEM	QTY	PART #	REV	DESCRIPTION

PHONE: 800.243.0533 (TOLL FREE)  
860.447.3001 (LOCAL)

FAX: 860.444.1779 (SALES)  
860.440.0628 (ENG.)

**Jaypro** Sports Equipment

JAYPRO SPORTS, LLC, 976 HARTFORD TURNPIKE, WATERFORD, CT 06385 USA  
www.jaypro.com

DESCRIPTION  
**FUTSAL GOAL CUSTOMER ASSEMBLY INSTRUCTIONS**

PART NUMBER: FSG67910      DWN BY: DONL      CHKD BY: WVB

SIZE: A      SCALE: N/A      DATE: 3/25/2011      REV: A      SHEET: 3 OF 5

THIS DRAWING IS THE SOLE PROPERTY OF JAYPRO SPORTS INC. AND MAY NOT BE REPRODUCED WITHOUT WRITTEN PERMISSION OR CONSENT

2

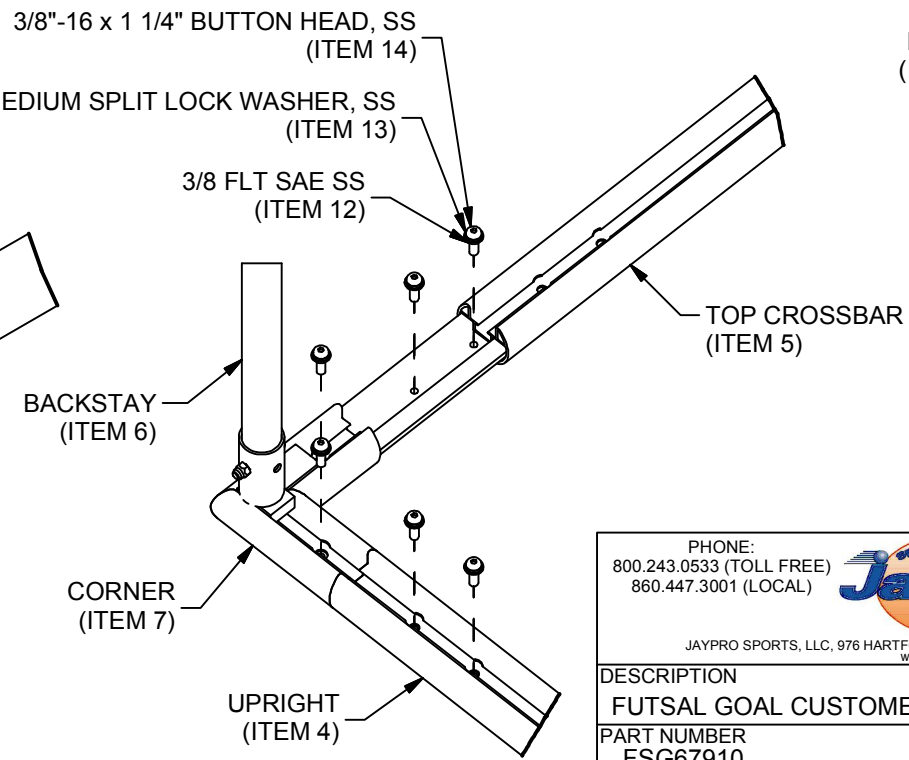
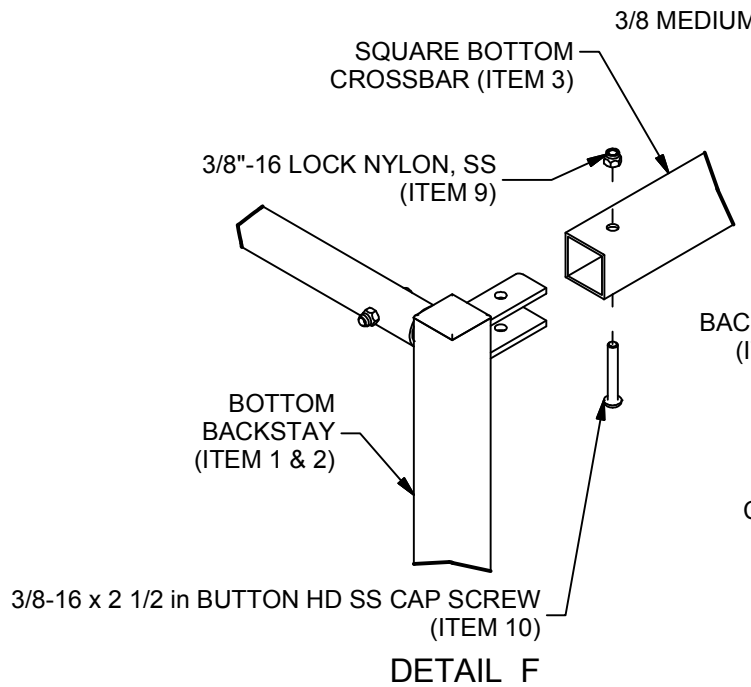
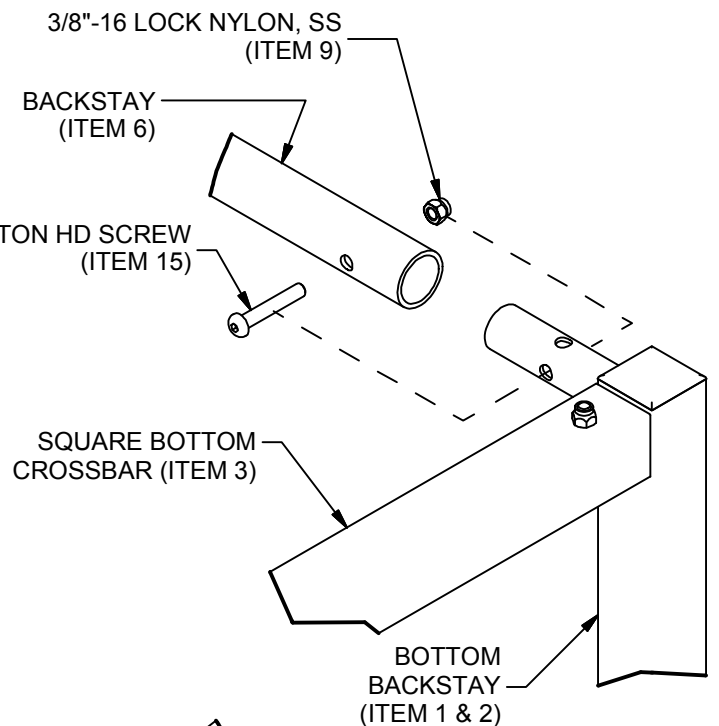
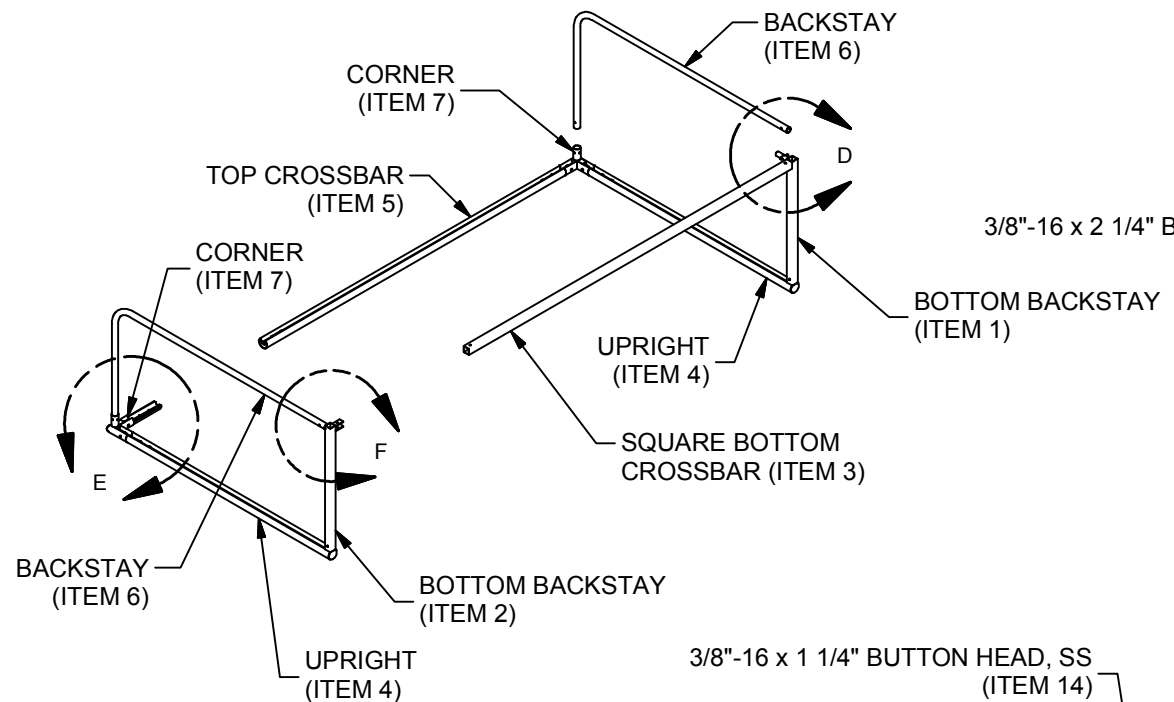
1

B

B

A

A



PHONE: 800.243.0533 (TOLL FREE)  
 860.447.3001 (LOCAL)

**Jaypro**  
 Sports Equipment  
 Since 1988

FAX: 860.444.1779 (SALES)  
 860.440.0628 (ENG.)

JAYPRO SPORTS, LLC, 976 HARTFORD TURNPIKE, WATERFORD, CT 06385 USA  
[www.jaypro.com](http://www.jaypro.com)

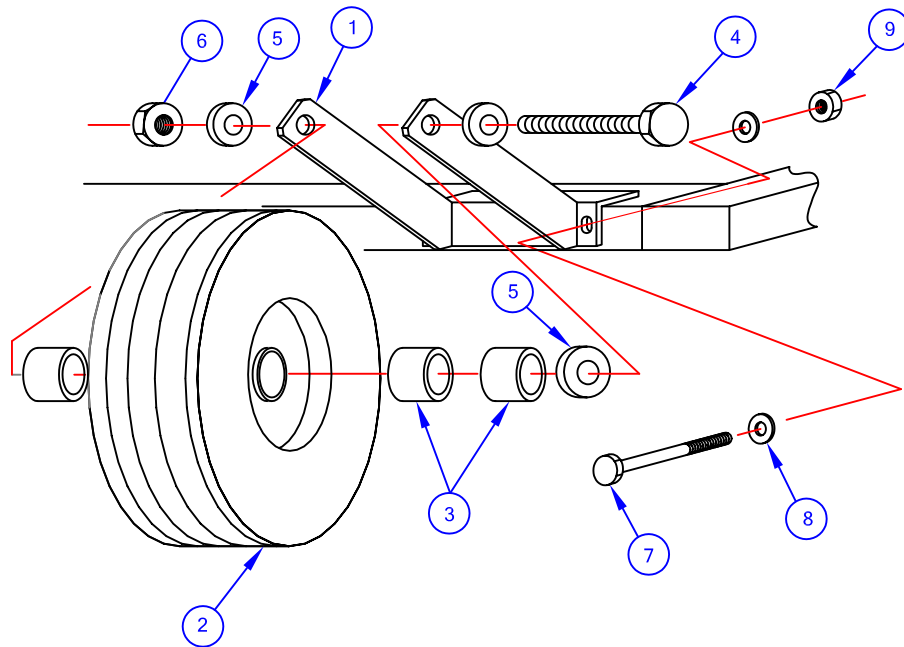
DESCRIPTION				
FUTSAL GOAL CUSTOMER ASSEMBLY INSTRUCTIONS				
PART NUMBER		DWN BY	CHKD BY	
FSG67910		DONL	WVB	
SIZE	SCALE	DATE	REV	SHEET
A	N/A	3/25/2011	A	4 OF 5
THIS DRAWING IS THE SOLE PROPERTY OF JAYPRO SPORTS INC. AND MAY NOT BE REPRODUCED WITHOUT WRITTEN PERMISSION OR CONSENT				

2

1



ASSEMBLY INSTRUCTIONS  
FUTSAL GOAL WHEEL KIT



TOOLS REQUIRED:

- 9/16 in BOX END WRENCH AND RATCHET
- 15/16 in BOX END WRENCH AND RATCHET
- DRILL AND 7/16 INCH DRILL BIT
- 4 INCH C CLAMP OPTIONAL

- 1) UNPACK ALL PARTS AND CHECK AGAINST PARTS LIST TO ENSURE THAT ALL PARTS HAVE BEEN INCLUDED
- 2) IF FUTSAL GOAL IS ALREADY PUT TOGETHER REMOVE THE TWO BOLTS HOLDING THE SQUARE BOTTOM CROSSBAR.
- 3) POSITION THE FIRST WHEEL ONTO THE BOTTOM CROSSBAR AS SHOWN IN THE ILLUSTRATION AND USING THE HOLE FROM THE BOLT YOU JUST REMOVED ASSEMBLE USING A 3 INCH LONG 3/8-16 HEX HEAD BOLT WITH WASHERS AND NUT AS SHOWN
- 4) USING THE WHEEL BRACKET AS A GUIDE DRILL A 7/16 INCH DIAMETER HOLE THROUGH THE CROSSBAR AND ASSEMBLE WITH A 3 INCH LONG 3/8-16 BOLT, WASHERS AND NUT . USE A 4 INCH C CLAMP TO HELP STEADY THE BRACKET WHILE DRILLING
- 5) REPEAT STEPS 3 AND 4 ON THE OPPOSITE SIDE OF THE GOAL
- 6) ASSEMBLE THE WHEELS TO THE WHEEL BRACKETS AS SHOWN IN THE ILLUSTRATION, THE INSET HUB SIDE IS ASSEMBLED WITH TWO BUSHINGS AND CAN BE INSTALLED FACING INWARD OR OUTWARD OF THE GOAL

Parts List

ITEM	QTY	NAME	MATERIAL
1	4	USG962	WHEEL ASSEMBLY KIT
2	4	RW5002	10 in PNEUMATIC WHEEL
3	12	HM6039	5/8 in BRONZE BUSHING
4	4	HS5064	5/8-11x6 in HX HD BOLT
5	16	HW2043	5/8 in FLAT WASHER
6	4	HN2803	5/8-11 THIN LOCK NUT
7	8	HS4081	3/8-16 x 3 in HX HD BOLT
8	16	HW2047	3/8 in FLAT WASHER
9	8	HN1230	3/8-16 THIN LOCK NUT

<b>UNIFIED SPORTS</b>	DRAWN BY: DRL	DATE: 02/12/10
	MATERIAL:  AS NOTED	PART NO. FSG67910WK  TOLERANCE: N/A
DWG. NAME: FUTSAL GOAL WHEEL KIT	REV LET: -	DWG. NO: FSG67910WK