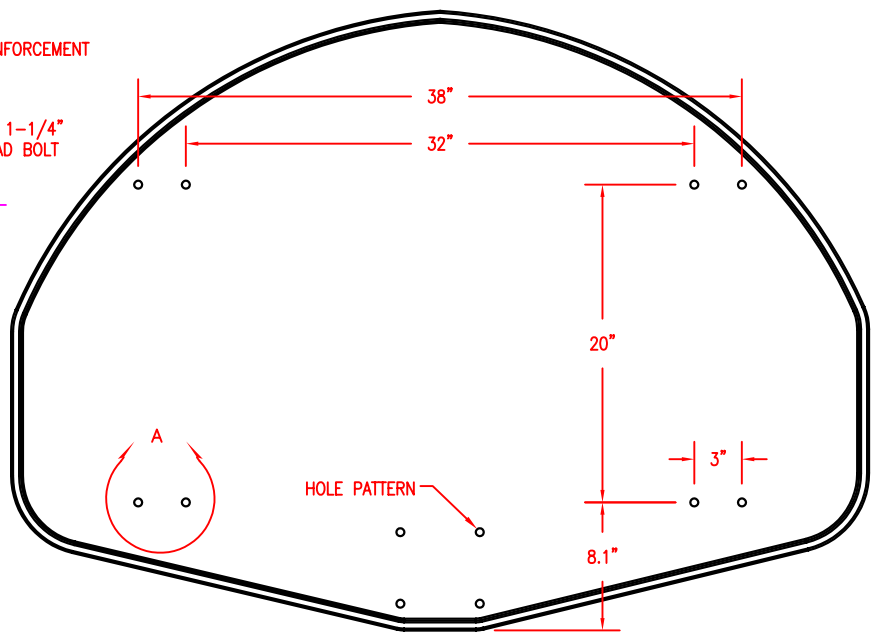
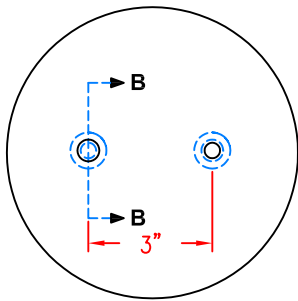


NOTE: THE MAXIMUM BOLT TO USE ON THIS BACK BOARD IS Ø3/8" x 1-1/4" LONG

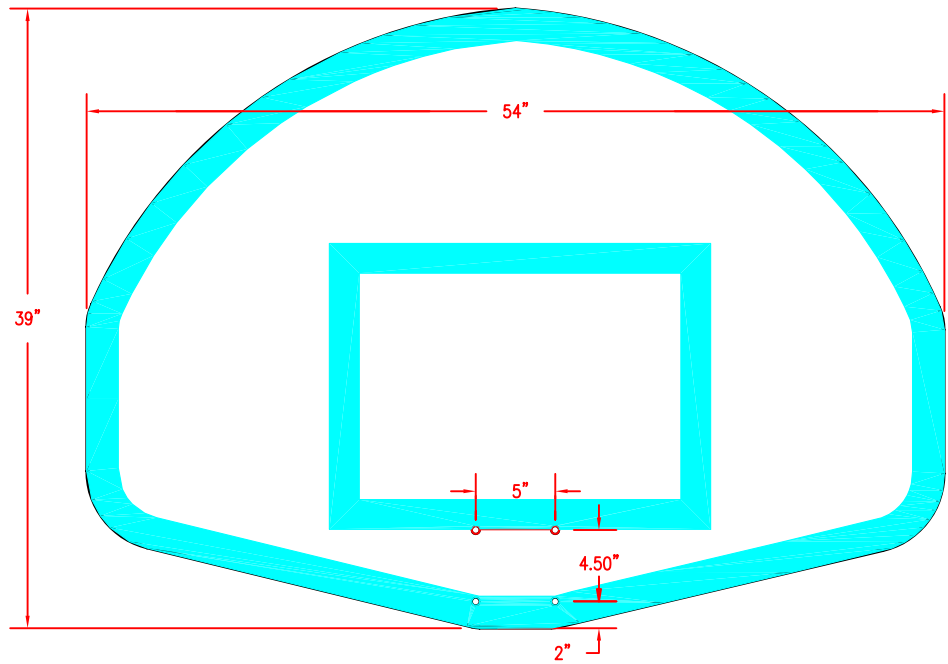
SECTION B-B



BACK VIEW OF FFB-54



DETAIL A



FRONT VIEW of FFB-54



MODEL: FFB-54, SHOWN WITH GBA-342A GOAL

GOAL: BREAKAWAY OR FIXED (SPECIFY)
Any goal with 4-1/2" x 5" Pattern.

REV.	DESCRIPTION	DATE	BY

FAN SHAPED FIBERGLASS BACKBOARD
39" X 54" FORMED FIBERGLASS

THIS PRINT IS THE PROPERTY OF JAYPRO SPORTS, LLC. AND MAY NOT BE REPRODUCED WITHOUT WRITTEN PERMISSION



www.jaypro.com
976 HARTFORD TURNPIKE
WATERFORD, CT 06385 USA

DRAWING NAME / PART NO.:
FFB-54

DRAWN BY: MT
CHK'D BY: DM

ISSUE DATE: 02/09/2006

SHEET: 1 OF 1
REV. REV

JAYPRO MODEL FFB-54

FAN FIBERGLASS BACKBOARD 39" X 54"

BACKBOARD: Official size Backboard shall be fan shaped 39" x 54" x 1-1/2".

Constructed with a resin impregnated honeycomb and wood inner-structure, this fiberglass backboard provides superior rebound characteristics. Board mounting points are in place steel blind nuts at locations to fit the majority of backstops sold. Official "orange" epoxy border and target to be jell coated into the face of the board. Board is for indoor use only

GOAL MOUNTING: 4 bolt goal mounting pattern is 4.50" high x 5" wide.

WARRANTY: There is a 2-year full warranty on all Jaypro Fiberglass Backboards.

WEIGHT: 64 lbs.

OPTIONS: Goals: 4.50" x 5" mounting patterns.