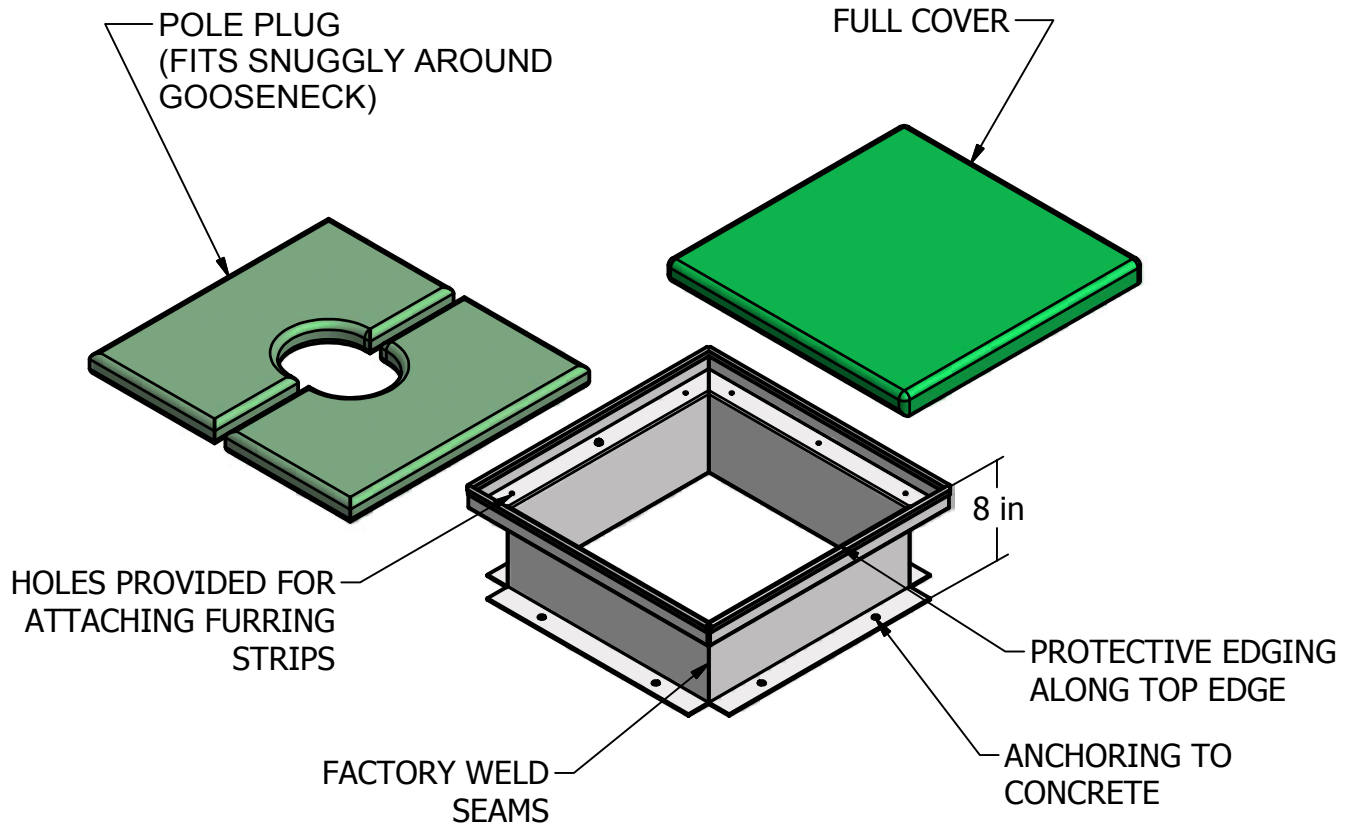


FBGPAF-1 ACCESS FRAME KIT



SPECIFICATIONS:

- 1) ACCESS FRAME MAY BE USED FOR EITHER NATURAL GRASS OR ARTIFICIAL TURF FIELDS.
- 2) 18 1/4 inch SQUARE INSIDE DIMENSION OFFERS COMPLETE ACCESS TO GROUND SLEEVE
- 3) OVERALL DEPTH IS 8 INCHES, WORKING DEPTH IS 6 1/2 INCHES
- 4) MADE OF 1/8 inch ALUMINUM WITH FACTORY WELDED SEAMS
- 5) PROTECTION OF THE EXPOSED GROUND SURFACE EDGE PROVIDED BY QUICK TRIM PLASTIC EDGING
- 6) 7/16 inch HOLES PROVIDED FOR ANCHORING TO CONCRETE
- 7) 3/16 inch HOLES PROVIDED FOR FURRING STRIP ATTACHEMENT
- 8) POLE PLUG AND FULL COVER, COVERED IN ARTIFICIAL TURF ARE INCLUDED WITH KIT
- 9) PLUGS AND FULL COVER ARE 3/4 inch PRESSURE TREATED PLYWOOD AND ARE AVAILABLE COVERED IN ARTIFICIAL TURF

OPTIONAL EQUIPMENT:

- FBGPAF-1A FULL COVER WITHOUT TURF
- FBGPAF-1B FULL COVER WITH TURF
- FBGPAF-1C POLE PLUG WITHOUT TURF (NO TURF)
- FBGPAF-1D POLE PLUG WITH TURF

NOTE: NOT TO BE USED WITH GOALPOST HINGE KIT SEE ACCESS FRAME FBGPAF-2

REV.	DESCRIPTION	DATE	BY	FOOTBALL GOALPOST ACCESS FRAME KIT 18 in x 18 in x 6 1/2 in		<small>www.jaypro.com</small> Jaypro <small>Sports Equipment Since 1953</small>		<small>DRAWING NAME / PART NUMBER:</small> FBGPAF-1		
				<small>THIS PRINT IS THE PROPERTY OF JAYPRO SPORTS, LLC. AND MAY NOT BE REPRODUCED WITHOUT WRITTEN PERMISSION</small>		<small>FAX:</small> 860.444.1779 (SALES) 860.440.0628 (ENG.)		<small>PHONE:</small> 800.243.0533 (TOLL FREE) 860.447.3001 (LOCAL)		
						<small>JAYPRO SPORTS, LLC, 976 HARTFORD TURNPIKE, WATERFORD, CT 06385 USA</small>		<small>DRAWN BY:</small> DRL		<small>ISSUE DATE:</small> 5/18/2010
						<small>COPYRIGHT 2006 JAYPRO SPORTS, LLC. ALL RIGHTS RESERVED</small>		<small>CHK'D BY:</small> WVB		
				<small>1 OF 1</small>		<small>SHEET:</small>		<small>REV.</small>		