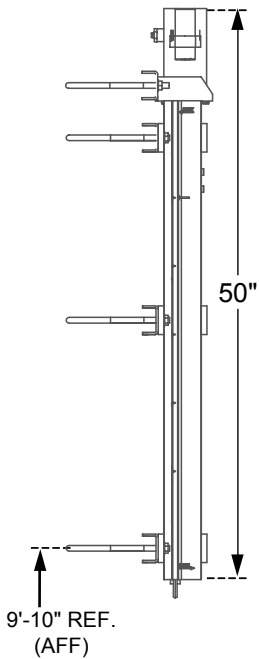


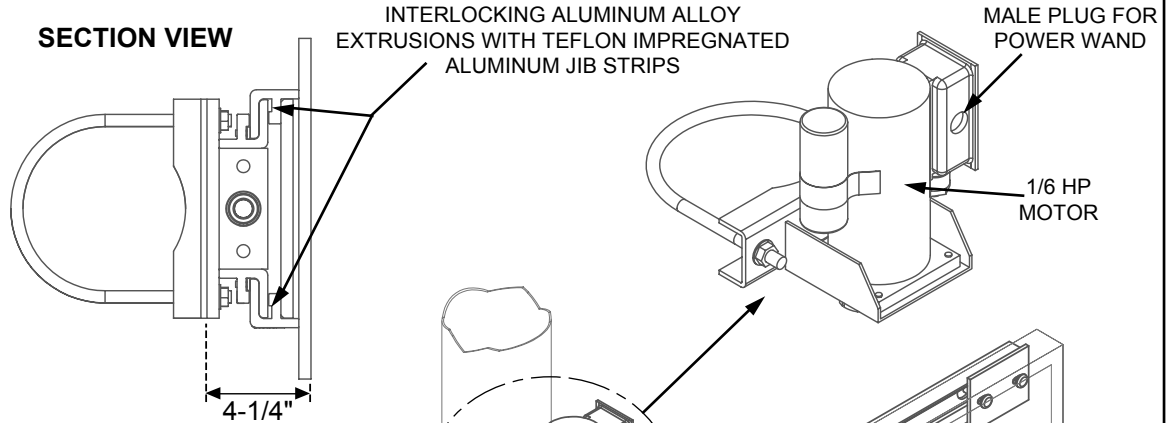


EHA-XX - ELECTRIC ALUMINUM ALLOY HEIGHT ADJUSTER

SIDE VIEW



SECTION VIEW



MALE PLUG FOR POWER WAND

1/6 HP MOTOR

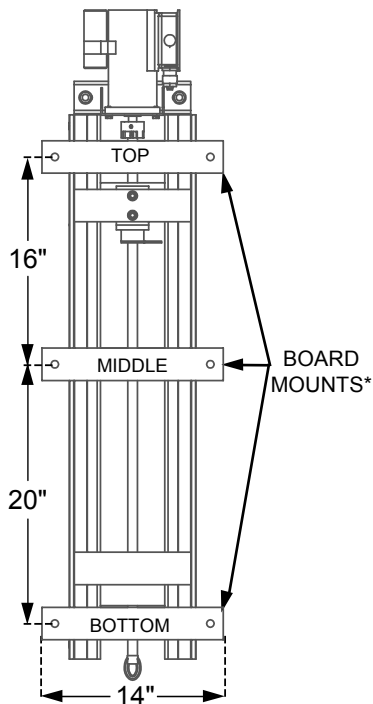
ATTACHMENT HARDWARE BOARD & MAST SPECIFIC

ENTIRE UNIT BLACK ANODIZED FOR SURFACE HARDENING AND APPEARANCE

3/4" ACME DRIVE ROD

DIRECT GOAL MOUNT

FRONT VIEW



* TOP & BOTTOM FOR RECTANGULAR BOARD
MIDDLE & BOTTOM FOR FAN BOARD

NOTE: CONFIGURATION SHOWN IS FOR MOUNTING TO 6-5/8" OD SINGLE DROP BACKSTOP. HEIGHT ADJUSTER CAN BE MOUNTED TO ANY STYLE BACKSTOP OR DIRECTLY TO THE WALL.

PROJECT: _____



EHA-XX

ELECTRIC ALUMINUM ALLOY HEIGHT ADJUSTER (10' TO 8')

© COPYRIGHT 2014 JAYPRO SPORTS, LLC. ALL RIGHTS RESERVED
THIS PRINT IS THE PROPERTY OF JAYPRO SPORTS, LLC. AND MAY NOT BE REPRODUCED WITHOUT WRITTEN PERMISSION

www.jaypro.com
(800) 243-0533
976 Hartford Turnpike
Waterford, CT 06385 USA



SPECIFICATION SHEET

GENERAL

Height adjuster shall be manufactured of extruded high alloy aluminum and shall be electrically operated by a 115 volt single phase electric motor driven in such a manner as to raise or lower the basket height of any bank from 8 feet to 10 feet. Integral adjustable upper and lower limit switches making the setting of stop positions easy and accurate. Screw drive shall be a 600 # -24" linear actuator fixedly mounted on one end and universal joint mount on other end. Slide/bearing surface shall run on a double Teflon impregnated aluminum gib insuring vibration free play for the entire range (8' to 10') of operation as well as smooth effortless operation. Main body of height adjuster shall not exceed 14" in width. Height Adjuster shall not exceed 90 pounds in weight.

Height Adjuster shall be adaptable to any drop and/or any bank currently being sold. May require some slight modification in field for certain applications. Height adjuster is designed to mount directly to a 6-5/8" OD mast and can be adapted to other mast(s) with custom mounting hardware (purchased separately). Height adjuster is designed to allow for direct goal mounting and will preserve the backboard warranty when used with any Jaypro Sports backboard. Attachment tabs on the face of the height adjuster allow for attaching both rectangular and fan shaped backboards.

Electric height adjuster shall be provided standard with a three-position momentary contact key-switch and polished wall plate. Power requirement for key switch is 120 volt. All wiring, conduit and miscellaneous electrical components shall be provided and installed by the electrical contractor. Wiring of all electrical components shall be in accordance with national and local electrical codes, as well as specific wiring instructions provided by Jaypro. Additional height adjuster operators are available and must be specified at time of order or specification.

WARRANTY

The height adjuster shall be warranted free from manufacturing defects for a period of one (1) year when used in conjunction with a Jaypro Sports backstop.

OPTIONAL EQUIPMENT

- Power Wand Controller (HAPW-100)
- MEC Pad Master Equipment Controller (*Refer to MEC-99 Specification Sheet*)
- ETEC Easy Touch Equipment Controller (*Refer to ETEC Specification Sheet*)
- TMX-DRX Wireless Radio Remote (*Refer to TMX-DRX Specification Sheet*)