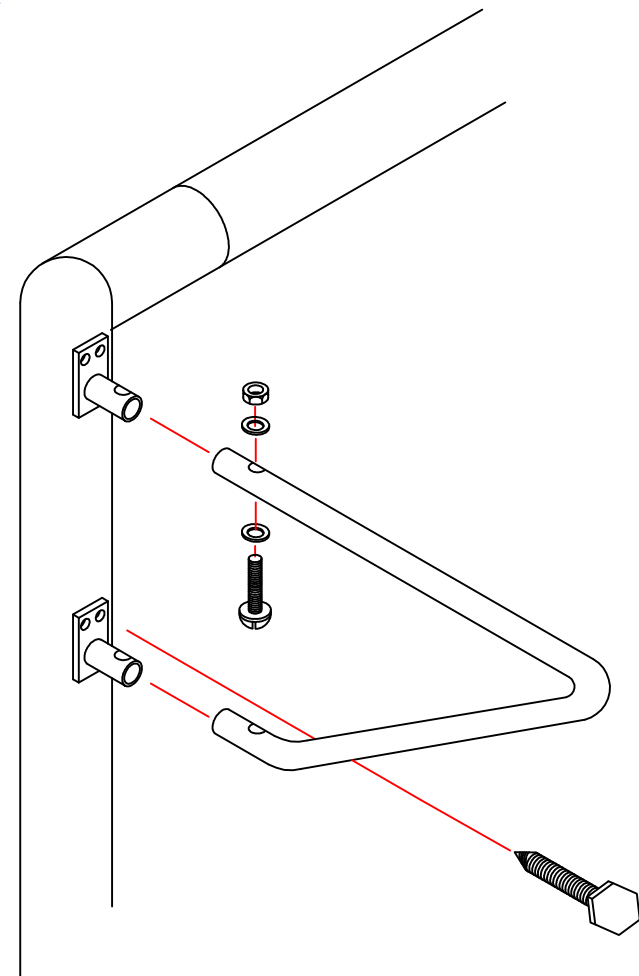
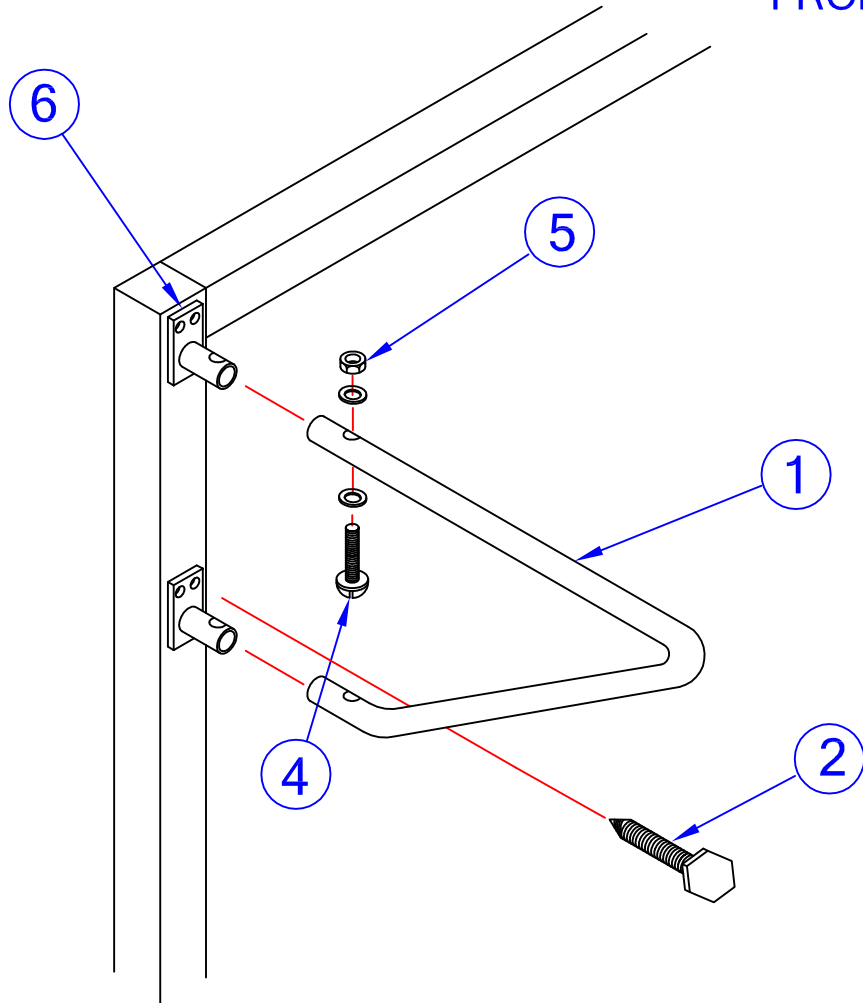


CAUTION
DO NOT HANG OR SWING
FROM CROSSBAR



PLEASE NOTE:

- 1) FOR SAFE OPERATION AND CONTINUED HIGH PERFORMANCE FROM THIS EQUIPMENT, INSPECTION AND MAINTENANCE MUST BE PERFORMED BEFORE EACH USE
- 2) USE OF THIS EQUIPMENT OTHER THAN INTENDED, MAY BE HAZARDOUS.
- 3) ALTERATION OR MODIFICATION OF EQUIPMENT MAY BE HAZARDOUS. FOR REPAIR OR REPLACEMENT, PLEASE CALL YOUR DEALER

Jaypro Sports
976 Hartford Turnpike
Waterford, CT 06385 USA
(800)243-0533
(800)988-3363 Fax
www.jaypro.com

MODEL NO.:
EBS-4

PRODUCT NAME:
EUROPEAN BACKSTAY

DRAWN BY: JAC | EFFECTIVE DATE:
10/21/2011

JAYPRO SPORTS
EUROPEAN BACKSTAY, EBS-4
LIST OF MATERIALS

PIECE #	PART #	DESCRIPTION	QTY.
1	EBS41	BACKSTAY	4
2	HS5256	#8 HEX HEAD SELF-TAPPING SCREW	16
3	HS3037	5/16"-18 x 1 3/4" HEX HD BOLT	8
4	HN261	5/16" LK NUT	8
5	EBS42	BACKSTAY BRACKET	8

ASSEMBLY INSTRUCTIONS

TOOLS NEEDED: POWER DRILL
1/4" SOCKET
3/32" DRILL BIT

1) LOOSELY ASSEMBLE ALL PARTS AND PRE-FIT ONTO YOUR EXISTING GOAL. MARK THE MOUNTING HOLE LOCATIONS CAREFULLY. FOR BEST RESULTS, KEEP THE BACKSTAY ASSEMBLY HIGH ON YOUR GOAL.

2) DRILL PILOT HOLES AND SECURE THE MOUNTING BRACKETS (5) USING THE #8 SELF-DRILLING SCREW (2).

3) THEN INSERT BACKSTAY (1) INTO TOP HOLE ON UPRIGHT AND ASSEMBLE AS ILLUSTRATED IN DRAWING.

IMPORTANT

YOUR SOCCER GOAL MAY HAVE EXISTING BACKSTAY HUBS IN EACH UPPER CORNER WHICH WILL ACCOMMODATE THE 1 5/16" DIAMETER EUROPEAN BACKSTAYS. IN THIS CASE, IT IS NOT NECESSARY TO USE THE BACKSTAY BRACKET PROVIDED FOR THE UPPER CORNER POSITION.