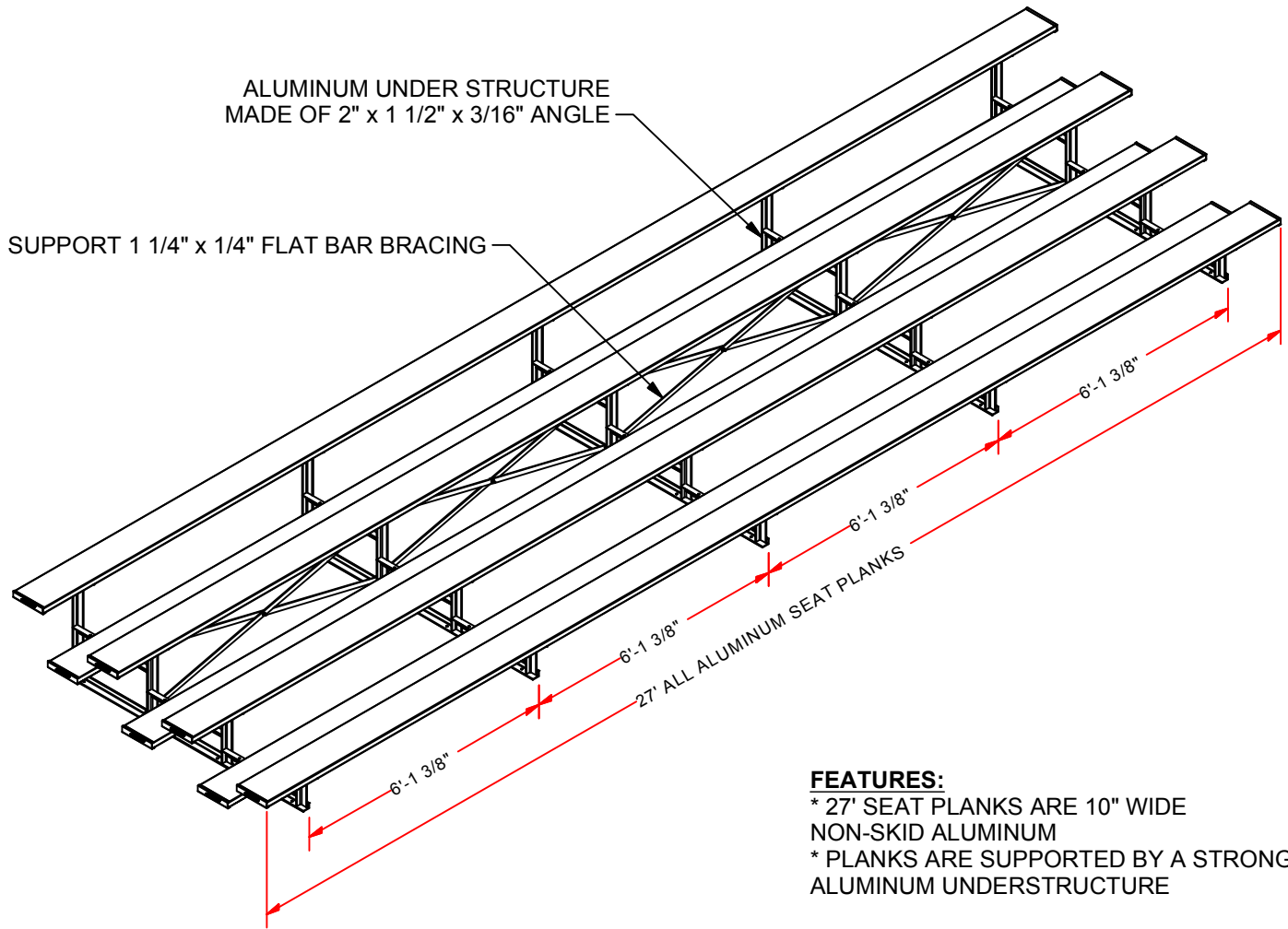


BLCH-427AL

27' ALUMINUM BLEACHER

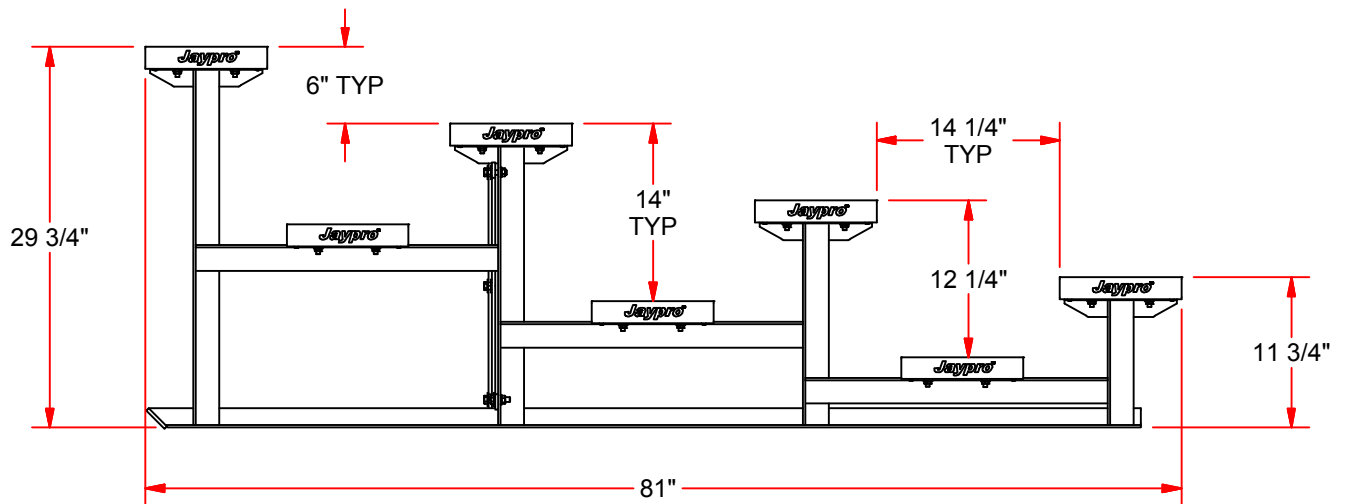


FEATURES:

- * 27' SEAT PLANKS ARE 10" WIDE NON-SKID ALUMINUM
- * PLANKS ARE SUPPORTED BY A STRONG, ALUMINUM UNDERSTRUCTURE

OPTIONS:

- * CUSTOM POWDER COATED COLORS




REV.	DESCRIPTION	DATE	BY
-	INITIAL RELEASE	1/11	MT

BLCH-427AL
27' ALUMINUM BLEACHER

THIS PRINT IS THE PROPERTY OF JAYPRO SPORTS, LLC. AND MAY NOT BE REPRODUCED WITHOUT WRITTEN PERMISSION

www.jaypro.com



FAX:
860.444.1779 (SALES)
860.440.0628 (ENG.)

PHONE:
800.243.0533 (TOLL FREE)
860.447.3001 (LOCAL)

JAYPRO SPORTS, LLC, 976 HARTFORD TURNPIKE, WATERFORD, CT 06385 USA

DRAWING NAME / PART NUMBER: BLCH-427AL	
DRAWN BY: Moune T.	ISSUE DATE: 1/25/2011
CHK'D BY: WVB	CHK'D DATE: 1/25/2011
SHEET: 1 OF 1	REV. -