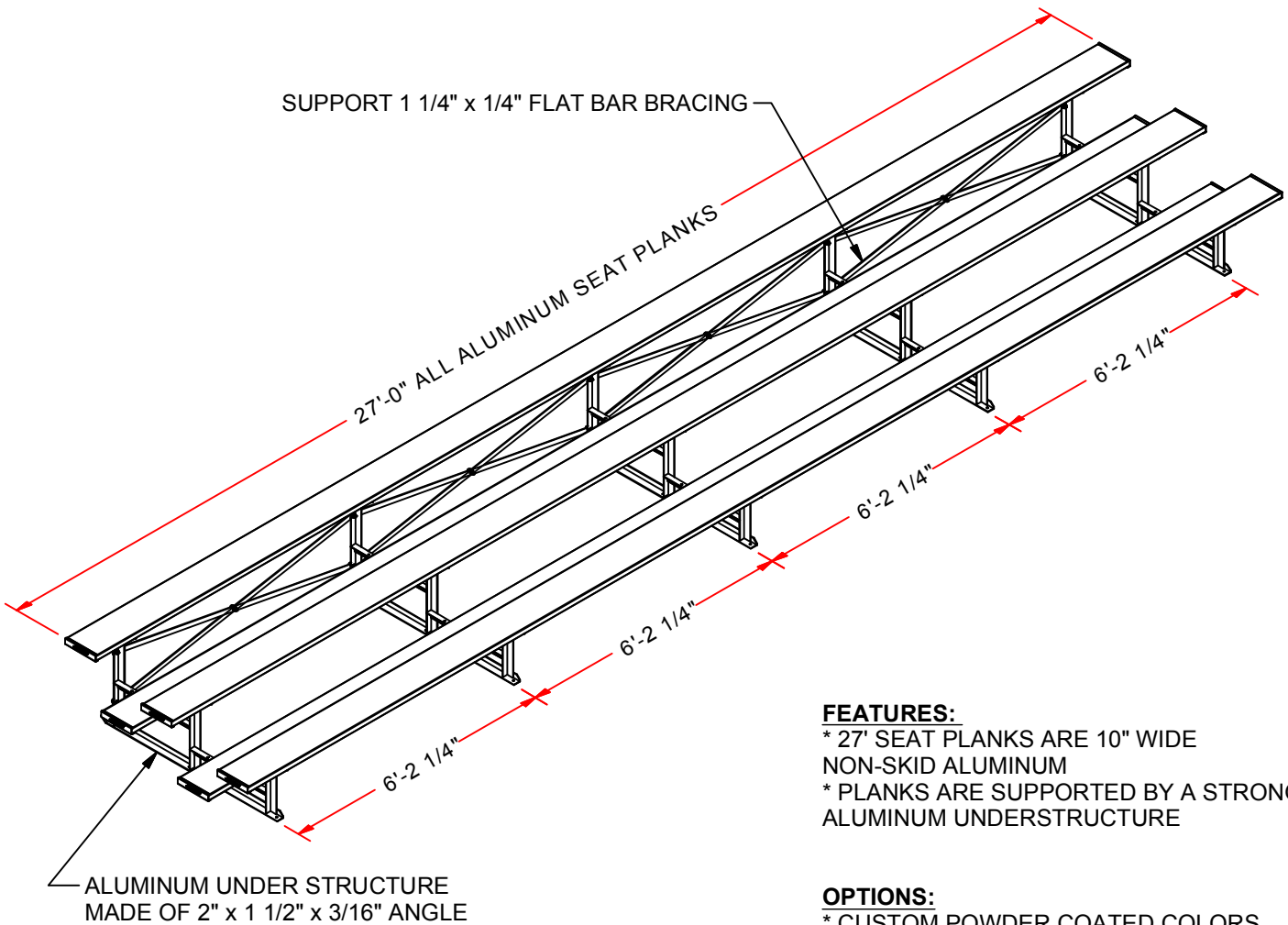


BLCH-327AL

27' ALUMINUM BLEACHER

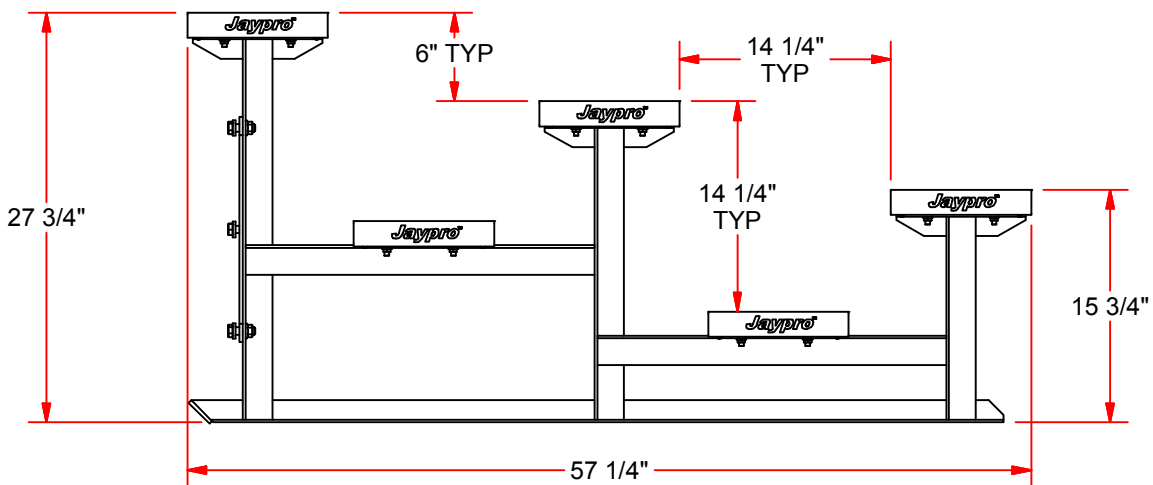


FEATURES:

- * 27' SEAT PLANKS ARE 10" WIDE NON-SKID ALUMINUM
- * PLANKS ARE SUPPORTED BY A STRONG, ALUMINUM UNDERSTRUCTURE

OPTIONS:

- * CUSTOM POWDER COATED COLORS



REV.	DESCRIPTION	DATE	BY
-	INITIAL RELEASE	7/7	MT

BLCH-327AL
27' ALUMINUM BLEACHER



DRAWING NAME / PART NUMBER: BLCH-327AL	
DRAWN BY: Moune T.	ISSUE DATE: 7/7/2010
CHK'D BY: WVB	CHK'D DATE: 7/7/2010
SHEET: 1 OF 1	REV.: -

THIS PRINT IS THE PROPERTY OF JAYPRO SPORTS, LLC. AND MAY NOT BE REPRODUCED WITHOUT WRITTEN PERMISSION

JAYPRO SPORTS, LLC, 976 HARTFORD TURNPIKE, WATERFORD, CT 06385 USA