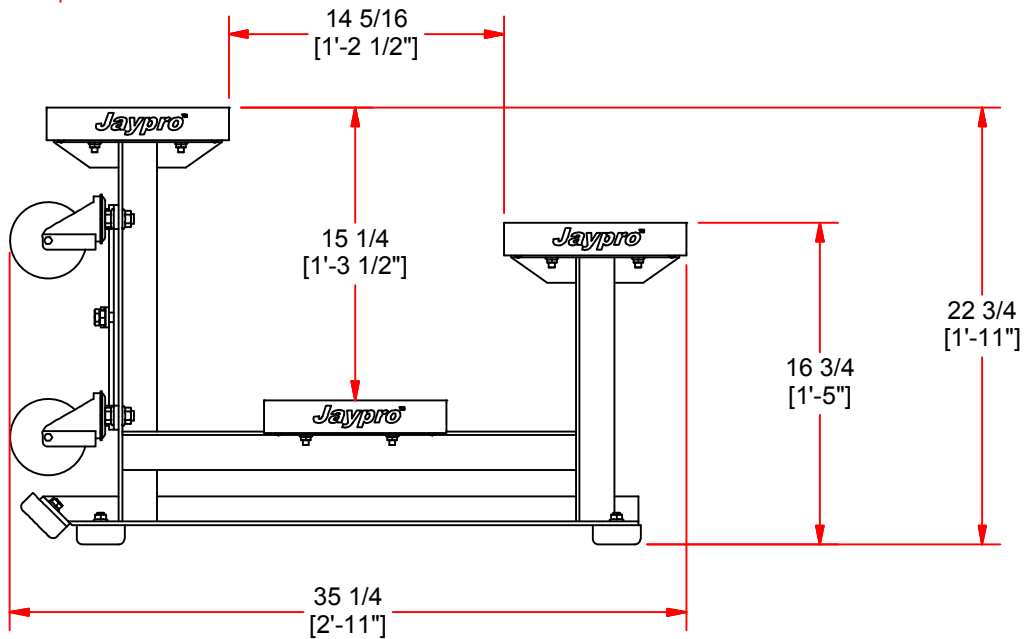
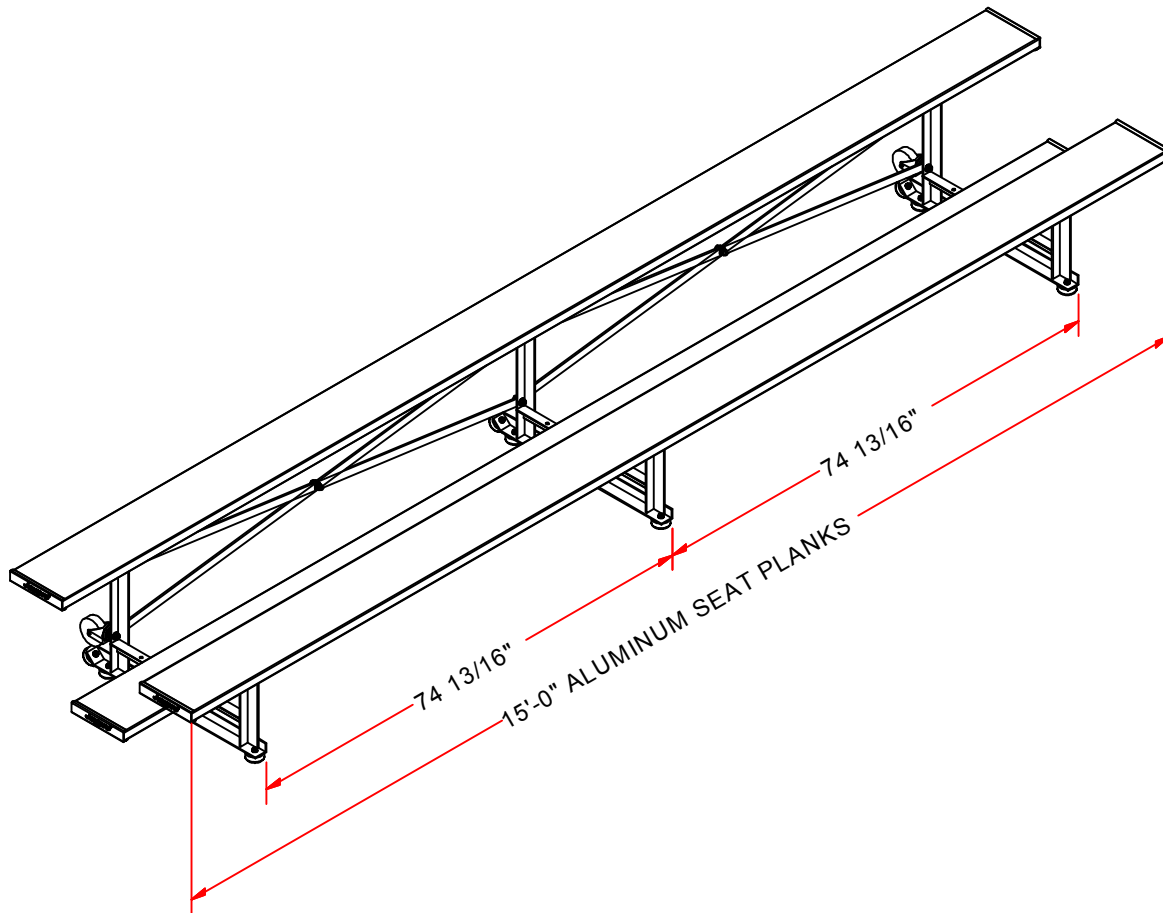


# BLCH-2TRG

## 15' TIP & ROLL BLEACHER




| REV. | DESCRIPTION       | DATE | BY |
|------|-------------------|------|----|
| B    | UPDATED CAD MODEL | 1/11 | MT |
|      |                   |      |    |
|      |                   |      |    |

**BLCH-2TRG**  
15' TIP & ROLL BLEACHER

THIS PRINT IS THE PROPERTY OF JAYPRO SPORTS, LLC.  
AND MAY NOT BE REPRODUCED WITHOUT WRITTEN PERMISSION

www.jaypro.com



**Jaypro**  
Sports Equipment  
Since 1958

FAX: 860.444.1779 (SALES) 860.440.0628 (ENG.)  
 PHONE: 800.243.0533 (TOLL FREE) 860.447.3001 (LOCAL)

JAYPRO SPORTS, LLC, 976 HARTFORD TURNPIKE, WATERFORD, CT 06385 USA

|   |                          |
|---|--------------------------|
| DRAWING NAME / PART NUMBER:<br><b>BLCH-2TRG</b> |                          |
| DRAWN BY:<br>Moone T.                           | ISSUE DATE:<br>1/25/2011 |
| CHK'D BY:<br>WVB                                | CHK'D DATE:<br>1/25/2011 |
| SHEET:<br>1 OF 1                                | REV.<br><b>B</b>         |

COPYRIGHT 2006  
JAYPRO SPORTS, LLC.  
ALL RIGHTS RESERVED