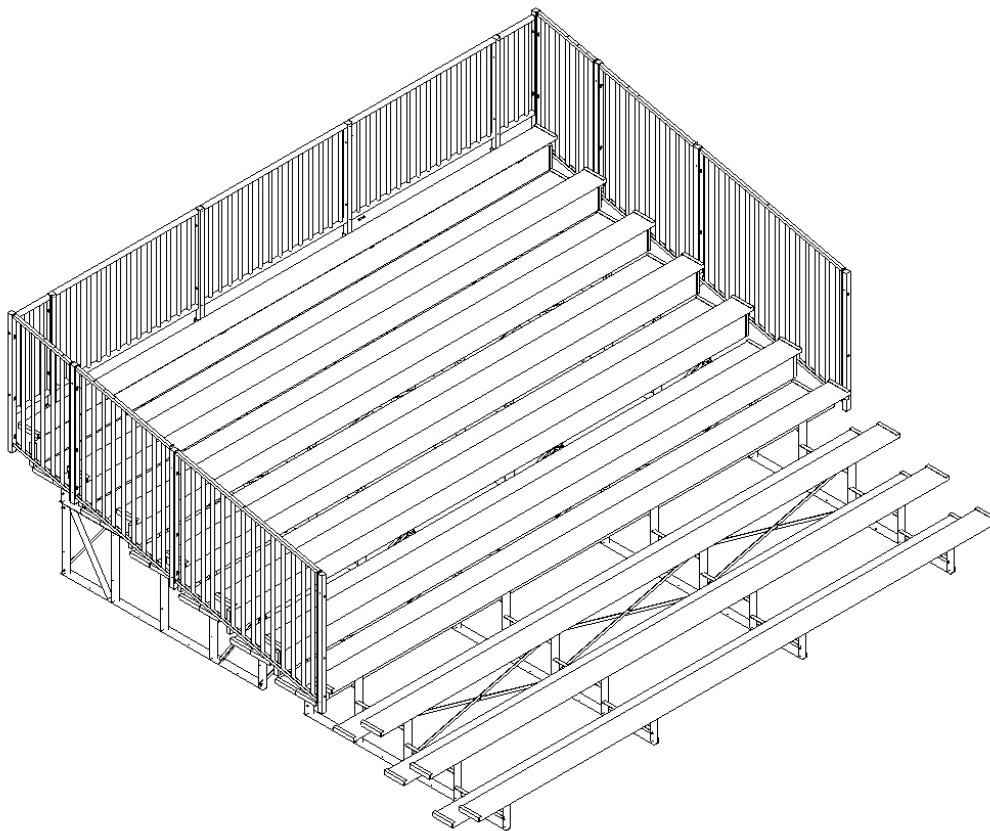




--- BLCH-10GR / BLCH-1021GR ---
(10-Row Bleacher with Guard Rail)
Installation Instructions



Call Jaypro Sports Equipment at 1-800-243-0533 during
regular business hours for technical support.

www.jaypro.com

***** Bleacher To Be Assembled by Qualified Personnel Only *****

Note:

- 1) Unpack all parts and check against parts list to ensure that all parts have been included.
- 2) Inspect all parts for damage. Report any damages to the trucking company.
- 3) These instructions are for assembling both a 15 ft and 21 ft wide, 10-row bleacher. The part quantities listed are for both bleachers.

Part List

Item #	Quantity	Part Number	Part Description
SEATING COMPONENTS			
1	6/8	BLCH-5L	5-ROW BLEACHER LEG
2	8/12	BLCHX-80	X-BRACE x 80" L, 5 TH ROW
3	12/18	BLCHX-77	X-BRACE x 77" L, 10 ROW BASE
4	8/12	BLCHX-76	X-BRACE x 76" L, 3 RD ROW
5	3/4	BLCH-10F	10 ROW BASE FRAME
6	3/4	BLCH101	FRAME CONNECTOR BRACKET
7	31	AR5043 / AR5052	STADIUM SEAT PLANK, 1 1/2" x 9 1/2" x 15 ft / 21 ft
SEATING HARDWARE			
8	170/225	AR5044	5/16" BOLT CLIP
9	62	AR5045	SEAT PLANK END CAP
10	18/24	HB5030	5/16"-18 x 3" CARRIAGE BOLT, ZP
11	185/235	HB5054	5/16"-18 x 1-1/4" CARRIAGE BOLT, ZP
12	6/8	HB4078	5/16"-18 x 1-1/2" CARRIAGE BOLT, ZP
13	75/100	HN5042	3/8"-16 FLANGE HEX NUT, ZP
14	195/260	HN5046	5/16"-18 FLANGE HEX NUT, ZP
15	10/15	HS289	3/8"-16 x 2" HEX HD CAP SCREW, ZP
16	65/85	HS287	3/8"-16 x 1-1/4" HEX HD CAP SCREW, ZP
17	130	HS5035	#8 x 1/2" PHILLIPS PAN HD SCREW, SELF DRILL
GUARD RAIL HARDWARE			
18	19/20	EP0018	2" x 2" BLACK SQUARE TUBE CAP
19	16	HS5157	3/8"-16 x 2-1/4" BUTTON HD CAP SCREW, SS
20	18/20	HS5163	3/8"-16 x 2-3/4" BUTTON HD CAP SCREW, SS
21	35/38	HW2151	3/8" SAE FLAT WASHER, SS
22	35/38	HN5040	3/8"-16 SLAB BASE TEE NUT, SS
GUARD RAIL COMPONENTS			
23	3/4	GR-RP	REAR SUPPORT POST
24	6	GR-SP	SIDE SUPPORT POST
25	2	GR-CP	CORNER POST
26	2/3	GR-B	GUARDRAIL PANEL – BACK x 71-3/4" Wide
27	2	GR-F	GUARDRAIL PANEL – BACK END x 17-3/8" Wide
28	2	GR-S	GUARDRAIL PANEL – REAR SIDE x 29" Wide
29	2	GR-10S-1	GUARDRAIL PANEL – MID SIDE x 60" Wide
30	2	GR-10S-2	GUARDRAIL PANEL – FRONT SIDE x 71-3/4" Wide

***** Bleacher To Be Assembled by Qualified Personnel Only *****

Important Notes

- Follow all warning signs and labels on equipment. Use of this equipment other than intended, may be hazardous.
- Before each use check equipment for proper connecting hardware and structural integrity of major components. Replace damaged components and/or missing hardware immediately.
- This bleacher meets the guidelines set forth for bleacher safety by the U.S. Consumer Product Safety Commission, Pub. No 330. Accordingly, rows 5 thru 10 have double foot planks and a back riser plank.
- Annual inspection and maintenance of bleachers is necessary to ensure continued safe use. Inspection and maintenance should be performed at the beginning of each season. Contact Jaypro to schedule a field maintenance visit from one of our highly trained specialists if you are unwilling or unable to perform the regular maintenance yourself.

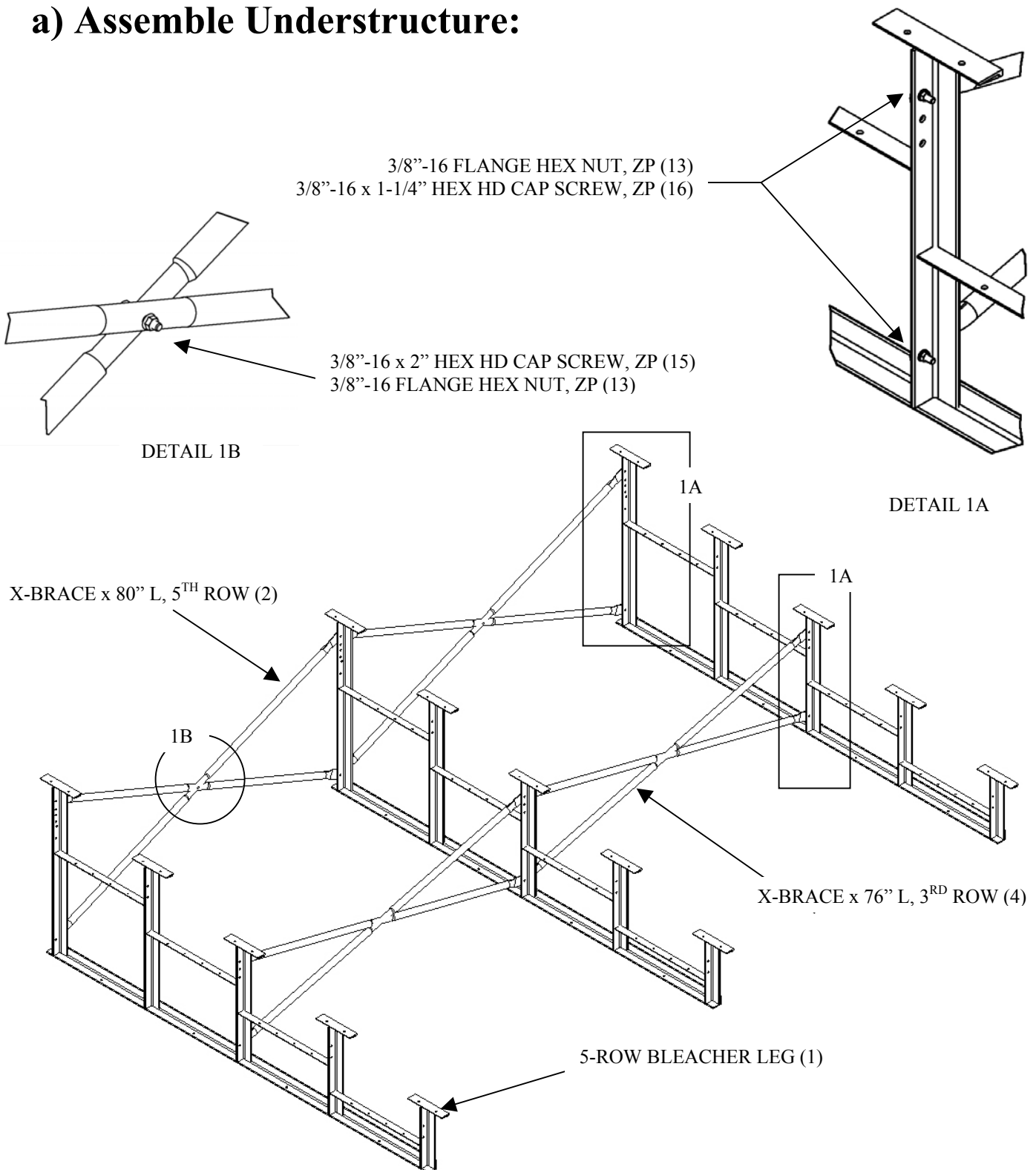
Required Tools

- 1/2" and 9/16" Box Wrench
- 1/2" and 9/16" Socket Wrench
- 7/32" Hex Allen Wrench
- Electric Drill with Phillips Head Bit
- Rubber Mallet

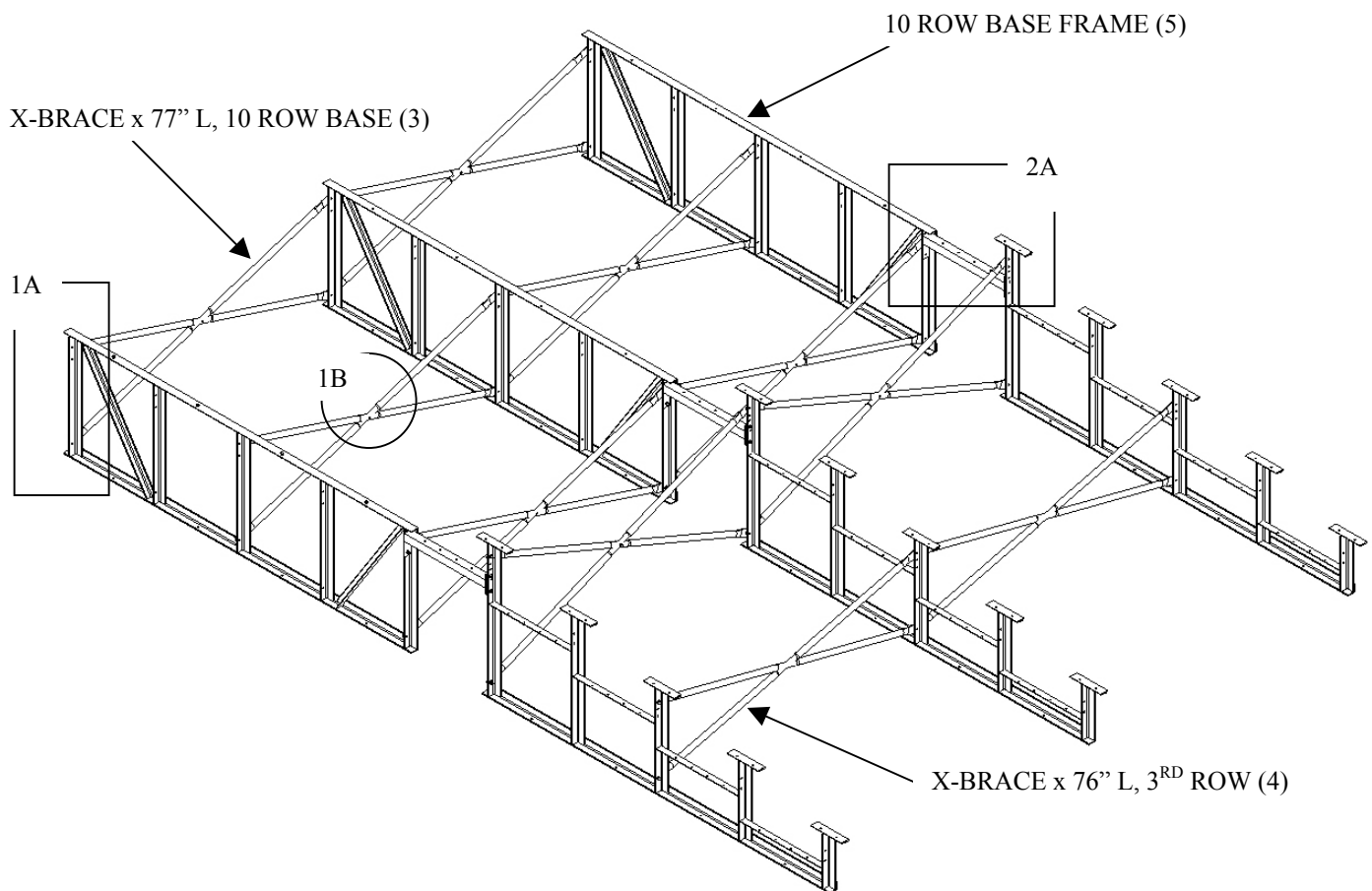
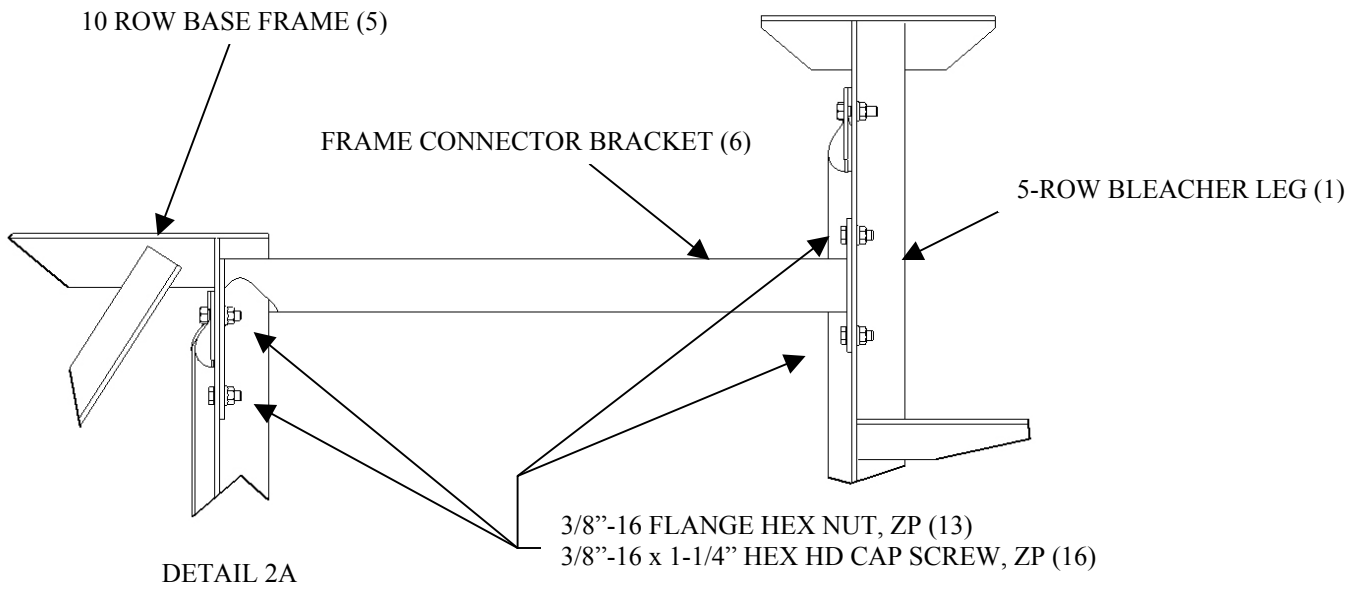
Important Installation Instruction Note

- 1) Bleacher must be located on flat firm ground, preferably on a concrete or crushed stone pad. When placed on bare ground it is recommended that bleacher be installed on treated 2"x 6" wood stringers.
- 2) These instructions are for assembling both a 15 ft and 21 ft wide, 10-row bleacher. The 15 ft bleacher has 3 frames while the 21 ft has 4 frames.
- 3) This bleacher uses three different length braces. Brace lengths are measure from hole to hole.

a) Assemble Understructure:



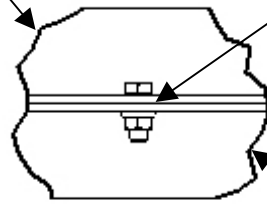
- 1) Assemble the lower 5-Row frame. Lay out 3 or 4 of the 5-row frames (1) roughly 6 ft apart. Attach the 76" cross-bracing (4) to the third row vertical of each frame using the hardware shown in Detail 1A. Attach the 80" cross-bracing (2) to the rear support member, using the top and bottom holes. Use hardware as shown in Detail 1B (tighten hardware only finger tight until entire base frame is assembled).



- 2) Attach one frame connector bracket (6) to the backside of each 5-row frame using the hardware shown (tighten hardware only finger tight until entire base frame is assembled).
- 3) Identify the top and front end of each 10 row base frame (5). Attach one lower base frame (5) to each connector bracket, as shown in Detail 2A.
- 4) Install the 77" cross-bracing (3) to the lower frame in three locations as shown. Install hardware where the braces cross (Detail 1B).

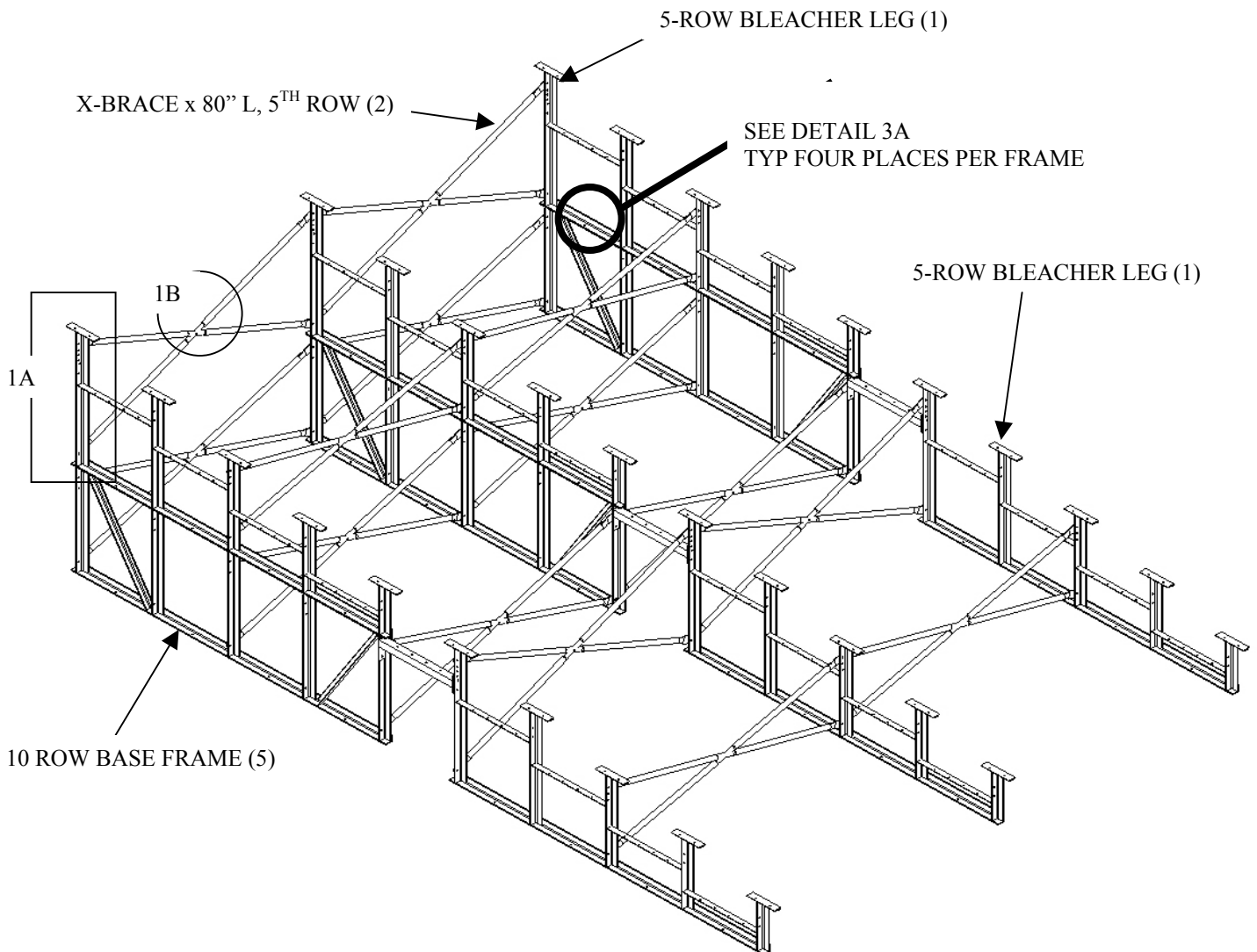
5-ROW BLEACHER LEG (1)

3/8"-16 FLANGE HEX NUT, ZP (13)
3/8"-16 x 1-1/4" HEX HD CAP SCREW, ZP (16)



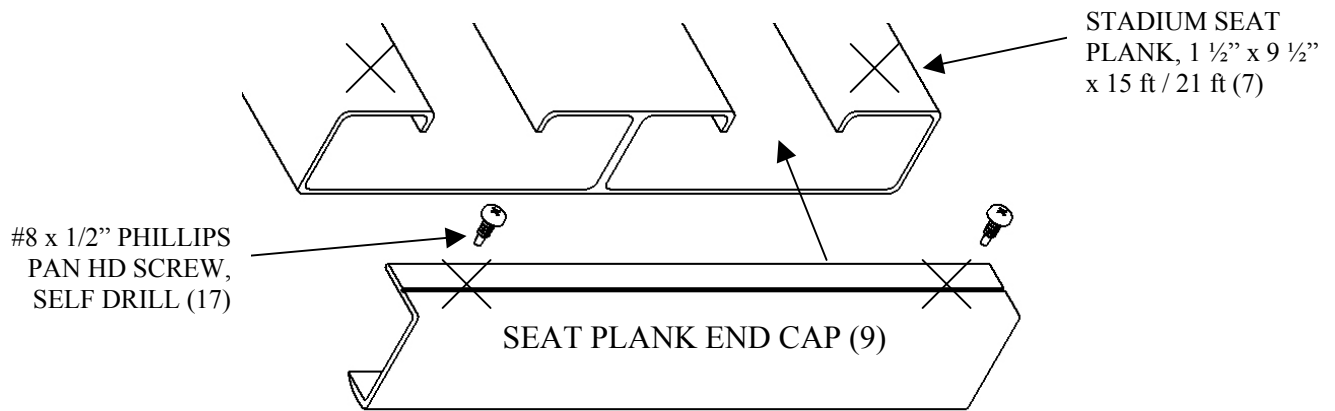
DETAIL 3A

10 ROW BASE FRAME (5)



- 5) Assemble the upper 5-row frame. Place one 5-Row frame on top of each base support member. Secure in place using the hardware shown in Detail 3A.
- 6) Add bracing to the upper 5-row frame as done in step 1.
- 7) Ensure that the overall frame is square and all frame members are in proper alignment. Securely tighten all understructure hardware.

b) Install Seating, Foot and Riser Planks:

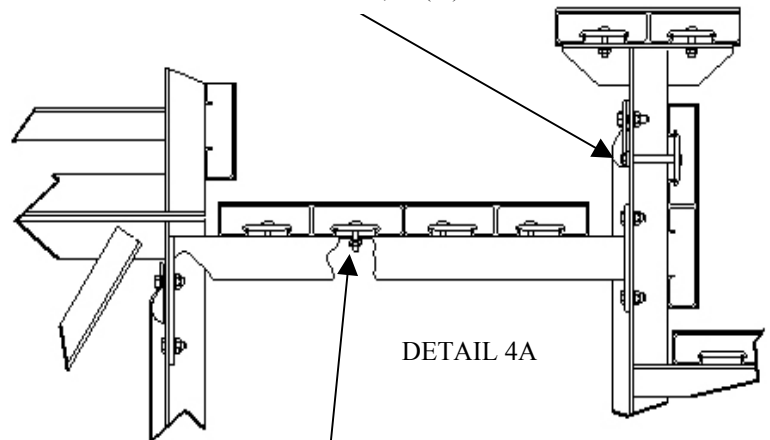


- 1) Install safety end caps on each end of all planks as shown above. Lightly tap end cap onto plank using a rubber mallet.

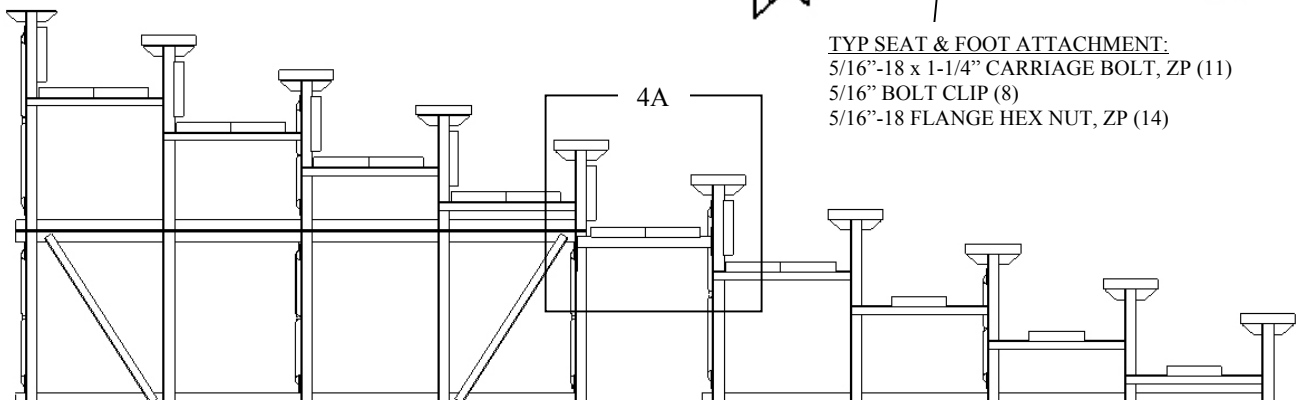
NOTE:

Rows 1 thru 4 have a single foot plank. The foot plank on rows 1 thru 4 should be centered. Rows 5 thru 10 have double foot planks plus a riser plank.

TYP RISER ATTACHMENT:
 5/16" BOLT CLIP (8)
 5/16"-18 x 3" CARRIAGE BOLT, ZP (10)
 5/16"-18 FLANGE HEX NUT, ZP (14)

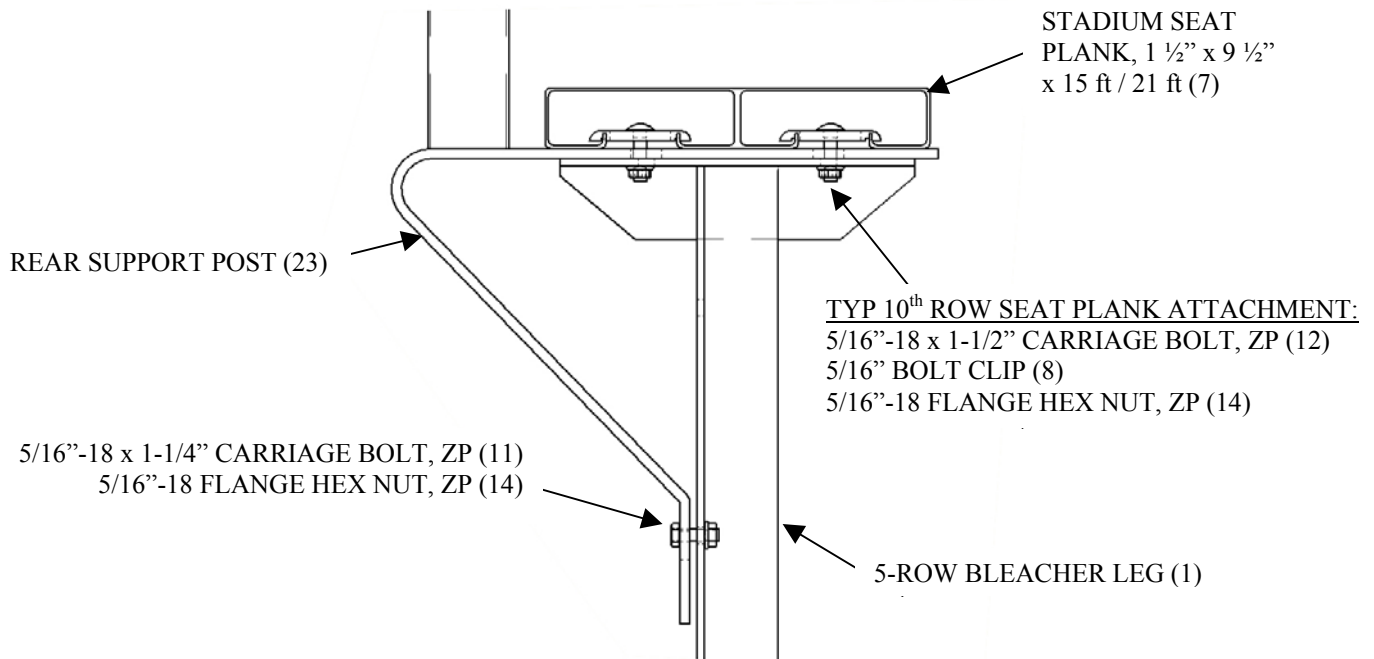


TYP SEAT & FOOT ATTACHMENT:
 5/16"-18 x 1-1/4" CARRIAGE BOLT, ZP (11)
 5/16" BOLT CLIP (8)
 5/16"-18 FLANGE HEX NUT, ZP (14)



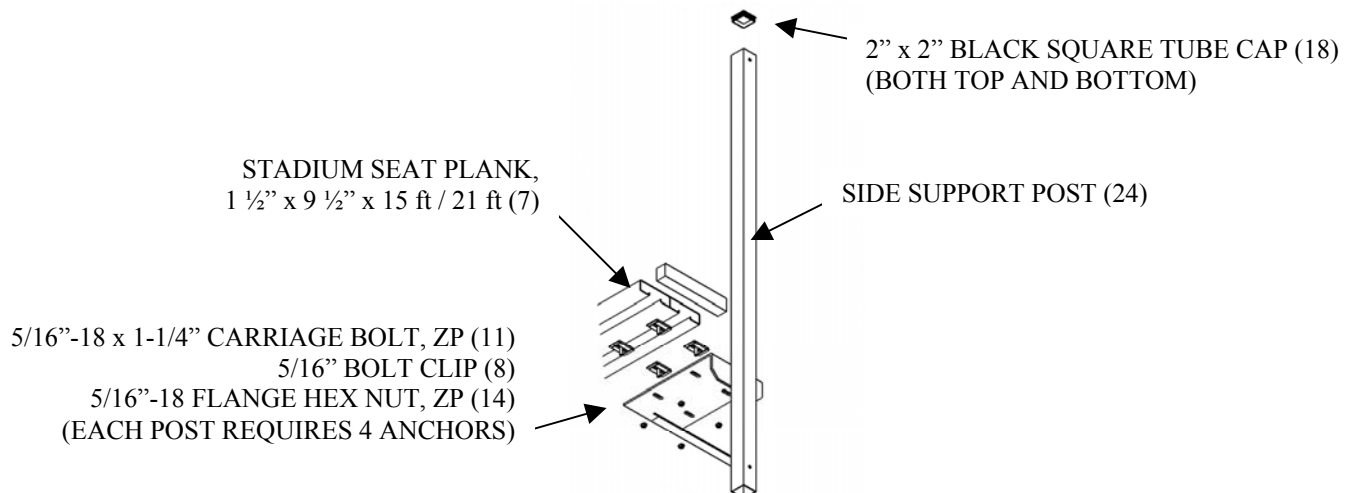
- 2) Working backwards from the first row, install all seating planks and foot planks as shown in Detail 4A. Ensure that all planks are center on the understructure frame, making sure the overhang on each end is an equal distance.
- 3) Install a riser plank on rows 5 thru 10.
- 4) Do not anchor the 10th row seat plank at this point.

c) Install Guardrail Rear Support Posts:



- 1) Install one guardrail rear support post (23) at the rear of each frame as shown above, inserting the mounting flange for the support post between seat plank (7) and frame (1) (tighten hardware only finger tight at the point).
- 2) Install the hardware securing the vertical mounting flange of the guardrail support post to the frame, as shown above.

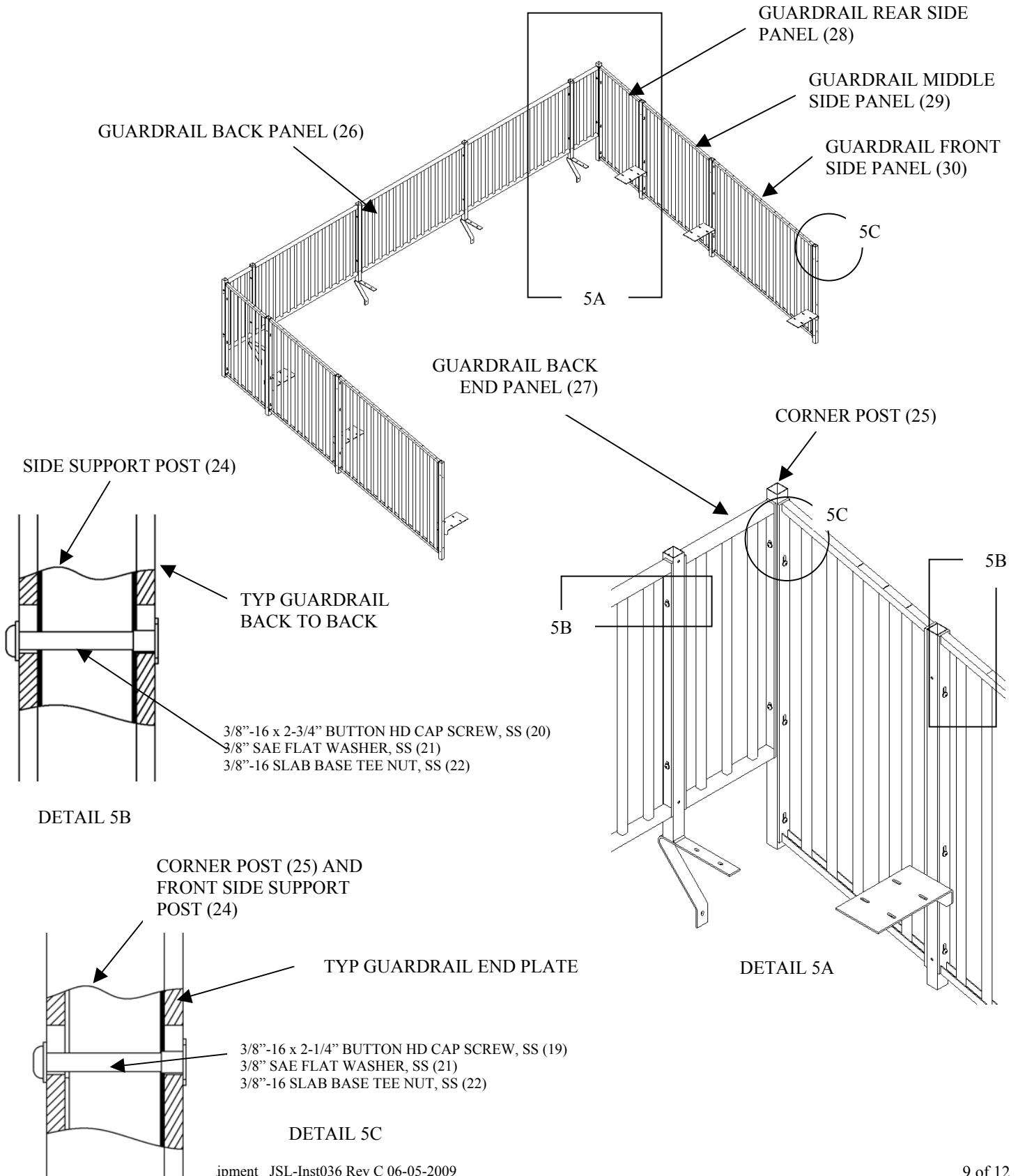
d) Install Guardrail Side Support Post:



- 1) Attach one guardrail side support (24) to the underside of the fourth, seventh and ninth seat plank, using the hardware shown above. Leave hardware finger tight to allow for future adjustment.
- 2) Repeat step 1 for the other side of bleacher.

e) Install Guardrail Panels:

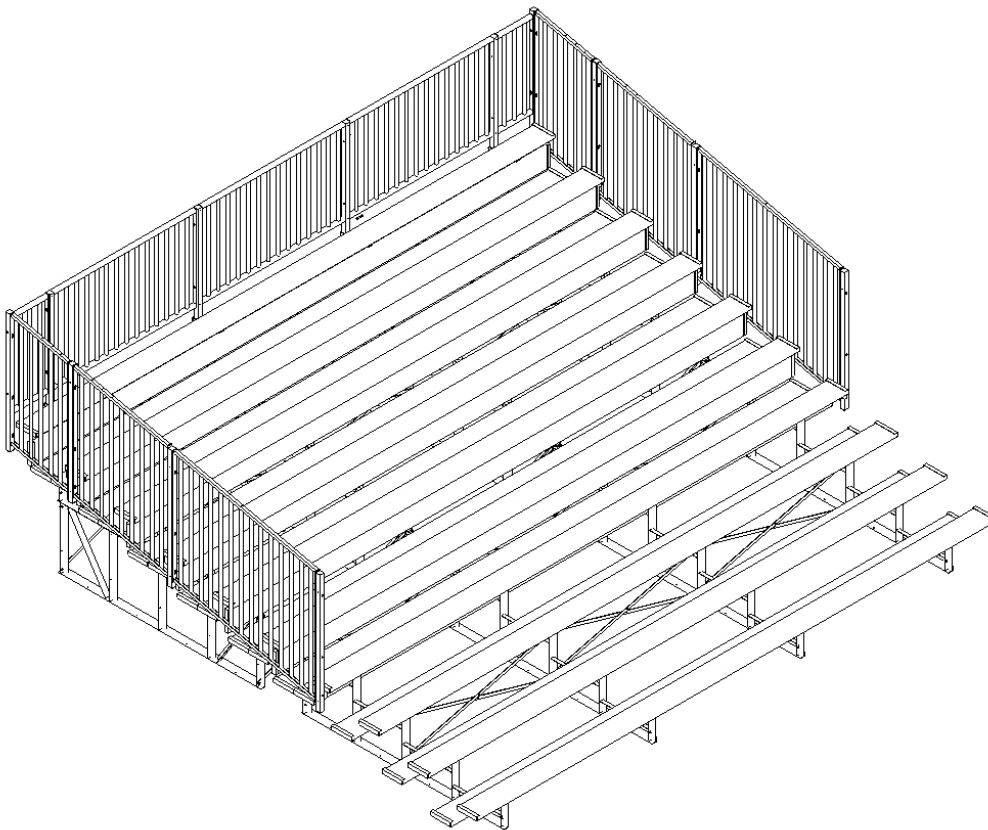
- 1) Install the back center panels (26) between the rear support posts as shown in Detail 5B.
- 2) Install both back end panels (27) as shown. Attach one corner post (25) to the end of each end panel, using the hardware shown in Detail 5C.
- 3) Working forward, install the three side panels between the side support posts (24) on each side as shown. Adjust the position of the side support posts as needed.



- 4) Make adjustments to the support posts and enclosure panels as needed to achieve proper alignment.
- 5) Tighten all hardware attaching the enclosure panels. Next, securely tighten all hardware attaching the support posts.
- 6) Using a rubber mallet install tube caps (18) in the support posts.

f) Final Inspection:

- 1) After the bleacher is fully assembled, thoroughly inspect the understructure and enclosure assemblies to ensure that all hardware is installed and secured.



Call Jaypro Sports Equipment at 1-800-243-0533 during
regular business hours for technical support.

www.jaypro.com

--- BLCH-10GR / BLCH-1021GR ---
(Ten-Row Bleacher)
Installation Record

Installer - please provide the following information and fax a copy to (860) 440-0628:

Installer Name:	_____
Phone #:	_____
Date:	_____

G. C. Name:	_____
Phone #:	_____

Facility Name: (in which this system was installed)	
Address:	_____

Contact Name: (facility representative)	
Phone #:	_____

Call Jaypro Sports Equipment at 1-800-243-0533 during
regular business hours for technical support.

www.jaypro.com

[This is the final page and the end of the installation portion of this manual.]