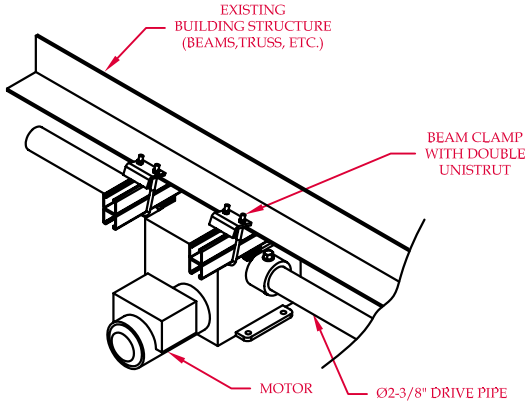


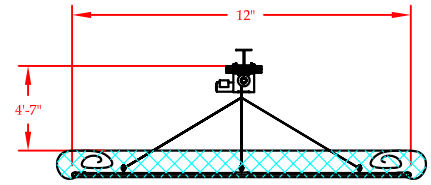
BBC-700

CEILING SUSPENDED

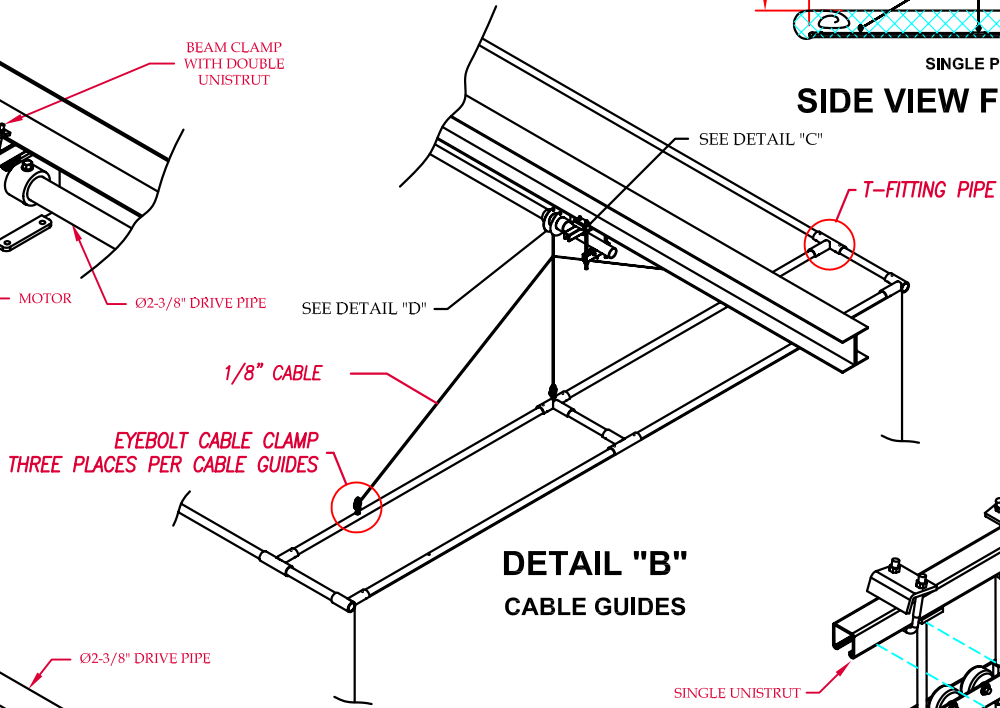
BATTING CAGE



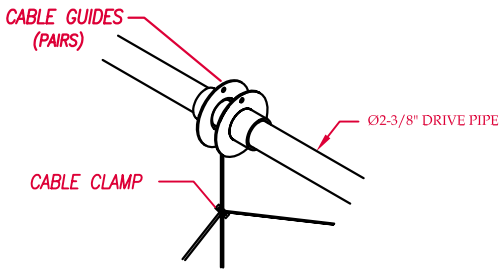
DETAIL "A"
MOTOR UNIT



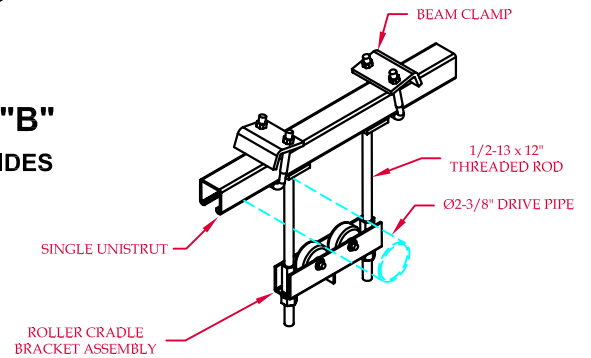
SIDE VIEW FOLDED



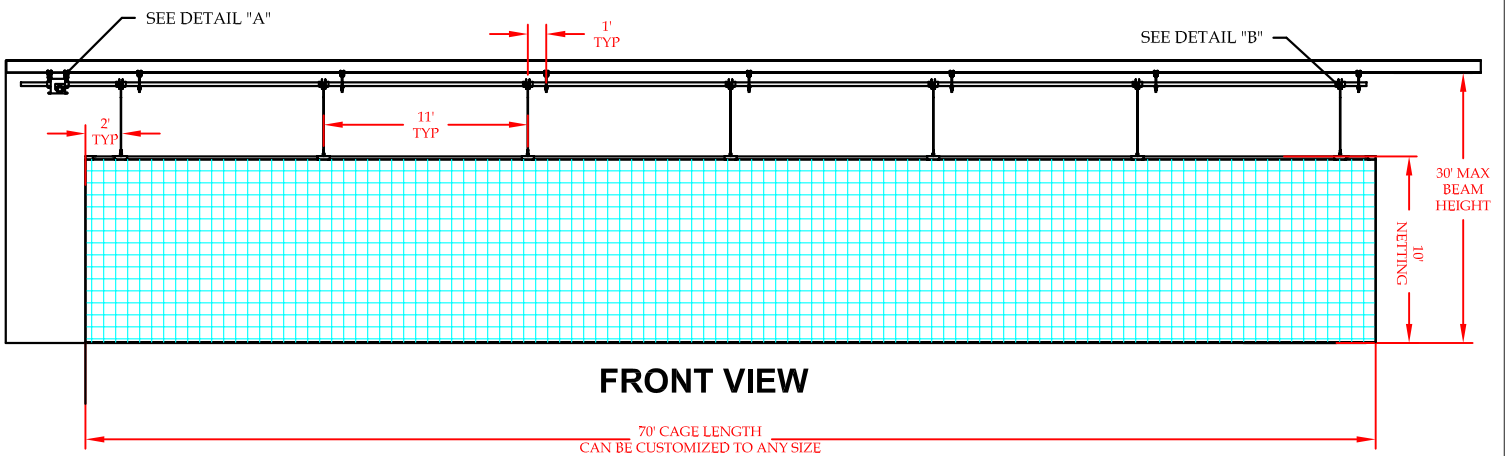
DETAIL "B"
CABLE GUIDES



DETAIL "D"



DETAIL "C"
HANGER ASSEMBLY



REV.	DESCRIPTION	DATE	BY

BBC-700
CEILING SUSPENDED
BATTING CAGE



DRAWING NAME / PART NO.: BBC-700	
DRAWN BY: MT	CHK'D BY: DM
ISSUE DATE: 03/24/05	
SHEET: 1 OF 1	REV. REV

COPYRIGHT 2003
JAYPRO SPORTS, LLC.
ALL RIGHTS RESERVED

THIS PRINT IS THE PROPERTY OF JAYPRO SPORTS, LLC.
AND MAY NOT BE REPRODUCED WITHOUT WRITTEN PERMISSION

www.jaypro.com
976 HARTFORD TURNPIKE
WATERFORD, CT 06385 USA

JAYPRO MODEL BBC-700

“V” PULL CEILING SUSPENDED BATTING CAGE

Cage shall be 10' (H) x 12' (W) x 70' (L). Custom sizes are available---please consult your dealer or Jaypro directly with your requirements. The cage netting shall be manufactured from black 3/4" square knotless nylon #252 netting, (3 strands, 1000 denier polyester, minimum .031 lbs per sq ft., 250 lbs. Mullen test). All perimeters of the cage shall be sewn together bound to a 3/8" polypropylene rope. The cage shall be of sufficient size to allow for approximately 1' of netting to lay on the floor when the cage is in the lowered position.

A cage frame is provided to support and define the cage dimensions. The cage frame is constructed of 1.90" OD x .145 Wall Aluminum tube and welded T and L fittings making a rigid rectangular structure. Cross supports are spaced symmetrically along the length of the cage

Lowering the frame and placing the side material on the top of the frame accomplish storage of the cage material. The frame is then raised, allowing for maximum clear height under the cage in the stored position. The BBC-700 and the "V" style hoist is recommended for ceiling heights in excess of 28'.

Cage shall be hoisted by individual (7) 1/8" diameter steel aircraft cables (1800# break strength) secured to the drive pipe and encased within formed cable guides. Hoist cable lines shall be placed symmetrically across the length of the cage frame. Hoist lines terminate at the cage frame utilizing a "V" style attachment. This attachment is provided to stabilize the ends of the frame and keep it parallel with the floor. The "V" style attachment provides for 21 attachment points to the cage frame. The hoisting is designed so that no one cable is dedicated to the entire load of the cage. Single hoist cable "Clew" system shall not be approved as equal.

The Drive system shall consist of a UL listed, 1HP 110VAC 60hz Single-phase compensating type instantly reversible winch. Winch shall be capacitor start with built in thermal overload protection. Winch shall be direct drive and require neither belts nor oil baths: Winch shall be Jaypro model TW-1200, a 2-3/8" OD Galvanized drive pipe, and drive pipe support hanger/rollers. The support assemblies shall be attached to existing roof framing members by clamp style malleable fittings furnished by the manufacturer. Support assemblies shall be spaced 12" or greater from the cable guides along the length of the drive pipe. The drive pipe shall pass thru and be secured to the winch drum and rest and rotate on the support assembly rollers.

Winch shall be provided standard with a three-position momentary contact key switch and polished wall plate. Switch shall fit into a device box by others 3" x 2-1/4" x 2-1/2" (H x W x D). Integral upper and lower limit switches will control the upper and lower travel of the curtain travel. Optional control of the curtain can be accomplished via Wireless Remote control operations DRX-2 receiver and TMX-1000 transmitter or the MEC-99 Master Equipment Controller.

Ground all devices per the National Electric Code (NEC). All wire and wiring to be supplied and installed by a qualified Electrical Contractor. Wiring to be in accordance with all national and local electrical codes.