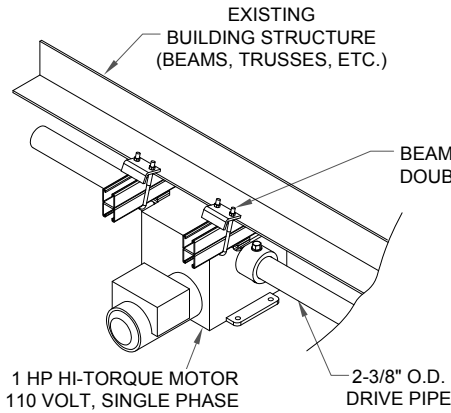
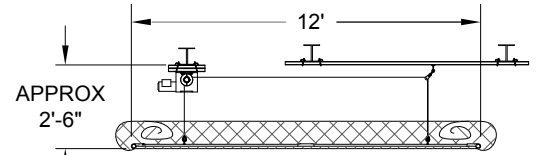




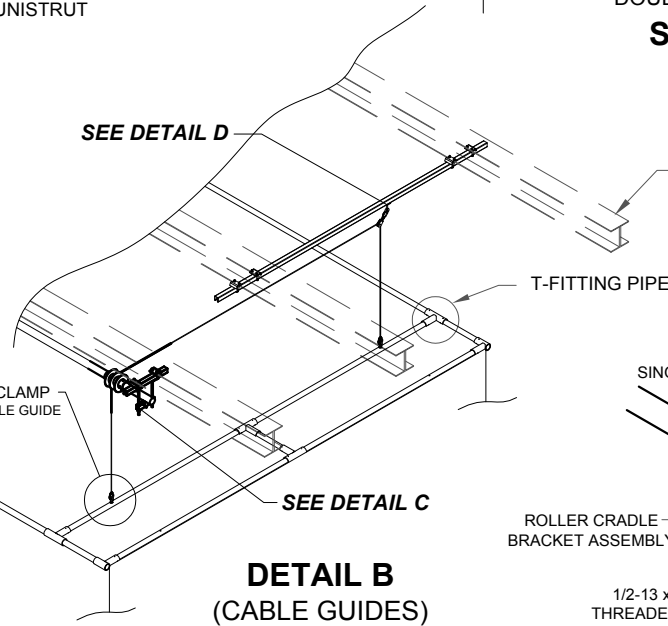
BBC-702 CEILING SUSPENDED DOUBLE PULL BATTING CAGE



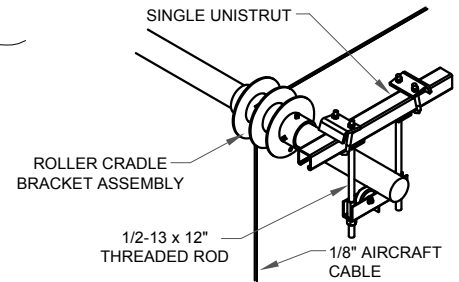
DETAIL A
(MOTOR UNIT)



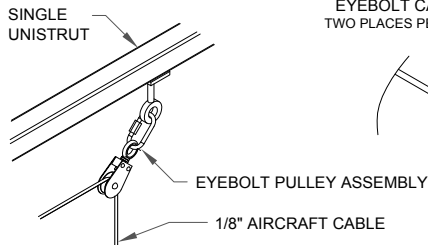
DOUBLE PULL DESIGN
SIDE VIEW
(FOLDED)



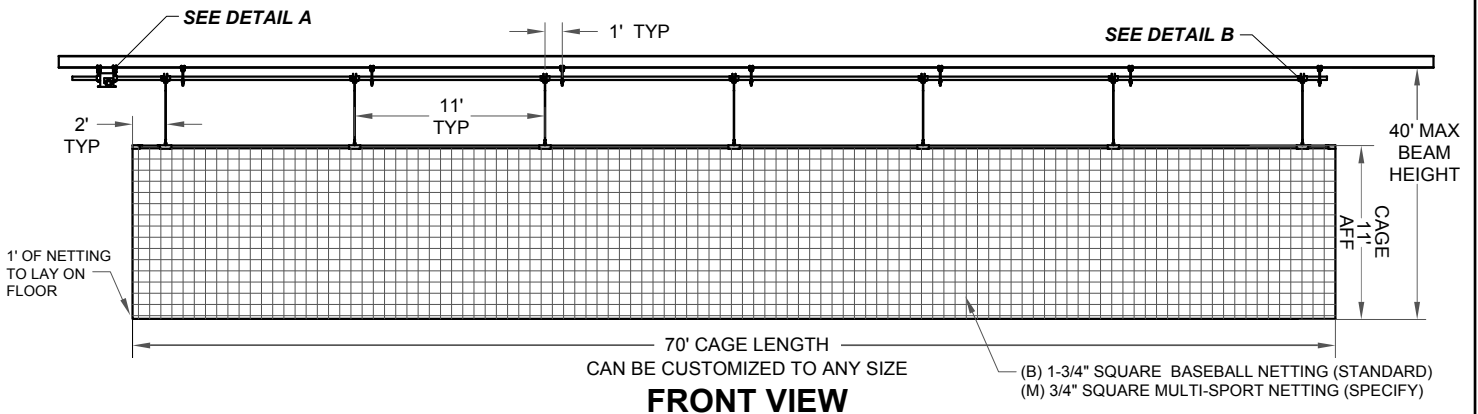
DETAIL B
(CABLE GUIDES)



DETAIL C
(HANGER ASSEMBLY)



DETAIL D
(PULLEY ASSEMBLY)



PROJECT NAME _____

PROJECT NUMBER _____

ARCHITECT _____

CONTRACTOR _____

NOTES _____

BATTING CAGE CONFIGURATIONS:

BBC-702B BASEBALL CAGE
1-3/4" SQUARE NETTING

BBC-702M MULTI-SPORT CAGE
3/4" SQUARE NETTING



BBC-702

CEILING SUSPENDED DOUBLE
PULL BATTING CAGE

© COPYRIGHT 2014 JAYPRO SPORTS, LLC. ALL RIGHTS RESERVED
THIS PRINT IS THE PROPERTY OF JAYPRO SPORTS, LLC. AND MAY
NOT BE REPRODUCED WITHOUT WRITTEN PERMISSION

www.jaypro.com
(800) 243-0533
976 Hartford Turnpike
Waterford, CT 06385 USA



SPECIFICATION SHEET

Electric operated baseball batting cage, BBC-702, shall be 11' H x 12' W x 70' L complete with frame, net, fittings, cables and electric winch for lowering to floor when in use and raising to underside of roof structure for storage. Custom sizes are available upon request. The cage netting shall be:

- Baseball Netting 1-3/4" Square #42 Black Nylon (STANDARD)
- Multi-Sport Netting 3/4" Square #252 Black Nylon

All perimeters of the cage shall be sewn together bound to a 3/8" polypropylene rope. The cage shall be of sufficient size to allow for approximately 1' of netting to lay on the floor when the cage is in the lowered position.

A cage frame is provided to support and define the cage dimensions. The cage frame is constructed of 1.90" OD x .145 Wall Aluminum tube with galvanized malleable iron T and L fittings with case hardened setscrews making a rigid rectangular structure. Cross supports are spaced symmetrically along the length of the cage

Lowering the frame and placing the side material on the top of the frame accomplish storage of the cage material. The frame is then raised, allowing for maximum clear height under the cage in the stored position. The BBC-702 double pull hoist system is recommended for ceiling heights below 28'.

Cage shall be hoisted by individual (14) 1/8" diameter steel aircraft cables (1800# break strength) secured to the drive pipe and encased within formed cable guides. Hoist cable lines shall be placed symmetrically across the length of the cage frame. Hoist lines terminated at the cage frame at 14 locations keeping the cage frame parallel to the floor. One side of the hoist cable is pulled directly to the drive pipe while the other side is pulled through a directional pulley into the drive pipe. The double pull style cage allows for the maximum clearance height beneath the frame in the stored position. The hoisting is designed so that no one cable is dedicated to the entire load of the cage. Single hoist cable "Clew" system shall not be approved as equal. Suspension from roof support member shall be accomplished with clamp type malleable fittings furnished by the manufacturer.

The drive system shall consist of a UL listed, 1HP 100VAC 60Hz Single-phase compensating type instantly reversible winch. Winch shall be capacitor start with built in thermal overload protection. Winch shall be direct drive, self lubricating gearing and require neither belts nor oil baths. Winch shall have unique built-in POSILOK™ over-speed arrest system. Winch shall be Jaypro Model CW-1800. Drive pipe shall consist of 2-3/8" OD galvanized pipe and shall be supported with hanger/rollers. Support assemblies shall be spaced approximately 12" from the cable guides along the length of the drive pipe. The drive pipe shall pass through and be secured to the winch drum and rest and rotate on the support assembly rollers.

Winch shall be supplied with a 3 position key switch and polished wall plate which shall be located in clear view of the cage to ensure unobstructed view during operation. Switch shall fit into a 3" x 2-1/4" x 2-1/2" (H x W x D) device box supplied by others. Integral upper and lower limit switches will control the upper and lower travel of the cage. Optional control of the cage can be accomplished with the following systems:

- ETEC Easy Touch Equipment Controller (*Refer to ETEC Specification Sheet*)
- MEC PAD Master Equipment Controller (*Refer to MEC-99 Specification Sheet*)
- TMX-DRX Wireless Radio Remote (*Refer to TMX-DRX Specification Sheet*)

Wiring of all electrical components shall be in accordance with national and local electrical codes, as well as specific wiring instructions provided by Jaypro.

WARRANTY

Jaypro BBC-702 Indoor Batting Cage System comes with a 1 Year Limited Warranty. Other components may be covered under their own extended warranty.