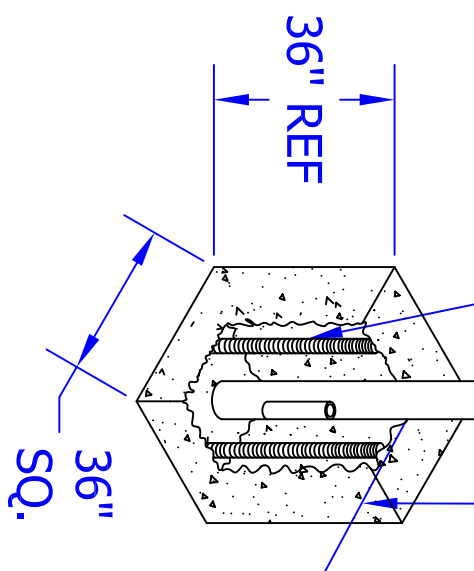



3/4" REBAR x 30"
 4 PLCS PER FOOTING
 (NOT INCLUDED, TO
 BE SUPPLIED BY
 INSTALLER)



RECOMMENDED
 DIMENSIONS
 FOR AVERAGE
 SOIL CONDITIONS

PHONE: 800.243.0533 (TOLL FREE) 860.447.3001 (LOCAL)		FAX: 860.444.1779 (SALES) 860.440.0628 (ENG.)	
			
JAYPRO SPORTS, LLC, 976 HARTFORD TURNPIKE, WATERFORD, CT 06385 USA www.jaypro.com			
DESCRIPTION 456 INTALLATION			
PART NUMBER 456 INTALLATION	DWN BY DonL	CHKD BY WVB	
SIZE A	SCALE NONE	DATE 8/17/2010	REV A
		SHEET 1 OF 1	
THIS DRAWING IS THE SOLE PROPERTY OF JAYPRO SPORTS INC. AND MAY NOT BE REPRODUCED WITHOUT WRITTEN PERMISSION OR CONSENT			

JAYPRO SPORTS

456

3 1/2" OD OUTDOOR BASKETBALL GOOSENECK
WITH 4 FOOT OFFSET

LIST OF MATERIALS

<u>PIECE NO.</u>	<u>PART NO.</u>	<u>DESCRIPTION</u>	<u>QTY.</u>
1	456U	UPRIGHT	1
2	ALB-24	FAN-SHAPED BACKBOARD	1
3	GB-55	GOAL	1
4	HS291	3/8" x 2 1/2" HEX HEAD BOLT	4
5	HW2050	3/8" FLAT WASHER	8
6	HN265	3/8" LOCKNUT	4
7	JNY-4HP	BASKETBALL GOAL NET	1
8	HN5040	3/8" TEE NUT	4

PLEASE NOTE

- 1) For safe operation and continued high performance from this equipment, inspection and maintenance must be performed before each use.
- 2) Use of this equipment other than intended may be hazardous.
- 3) Alteration or modification of equipment may be hazardous. For repair or replacement, please call your dealer.

IMPORTANT

Mount backboard to plate on the upright using the 3/8" tee nuts as shown in the illustration. Then mount the goal over the 3/8" tee nuts and secure with 3/8" locknuts and 3/8" flat washers. This will allow you to remove the goal without removing the backboard.

