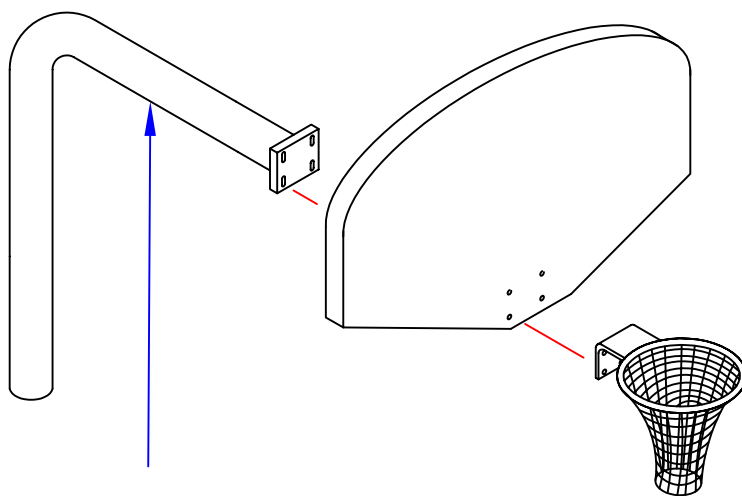


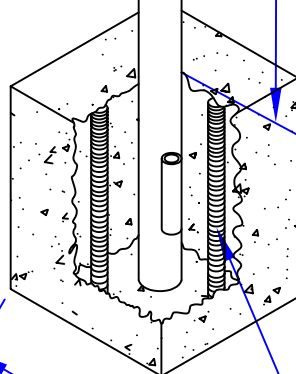
455

3 1/2" OUTDOOR BASKETBALL GOOSENECK WITH 3 ft OFFSET



115 1/2"
CRITICAL

30" REF



30"

BACKBOARD:

ALB-24 Cast Aluminum Powder Coated White Finish

GOAL:

GB-55 Single Rim Goal with Nylon Net

UPRIGHT: 3 1/2 " OD Schedule 40

Galvanized Steel Pipe Direct Mounting

EXTENSION:

3 Foot

3/4" REBAR x 24"
4 PLCS PER FOOTING
(NOT INCLUDED, TO
BE SUPPLIED BY
INSTALLER)

RECOMMENDED
DIMENSIONS
FOR AVERAGE
SOIL CONDITIONS

REVISION:	DATE:	JAYPRO NO.:
		455
		CUST.NO.:
COPYRIGHT 2003 JAYPRO SPORTS, LLC. ALL RIGHTS RESERVED		DATE: 6/17/10

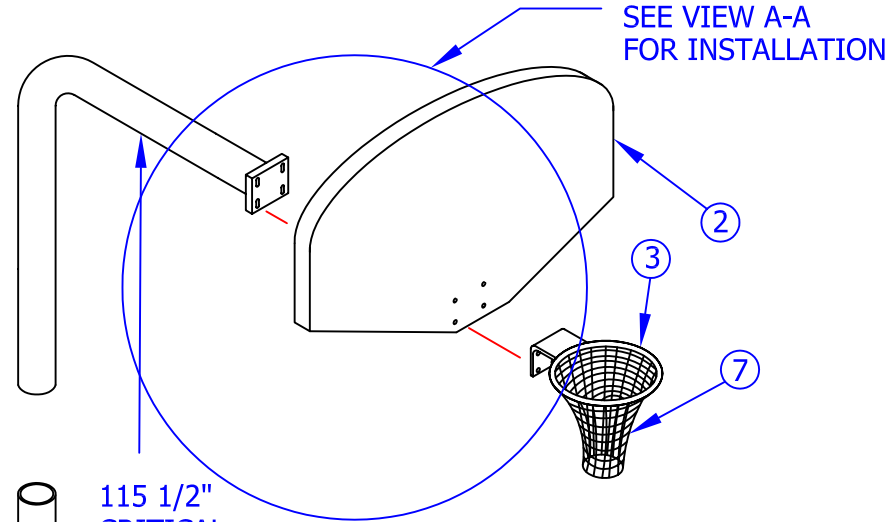
<p>3 1/2 " OUTDOOR BASKETBALL WITH 3 ft OFFSET</p>
<p>THIS PRINT IS THE PROPERTY OF JAYPRO SPORTS, LLC. AND MAY NOT BE REPRODUCED WITHOUT WRITTEN PERMISSION</p>

Reach for the Best. JAYPRO.

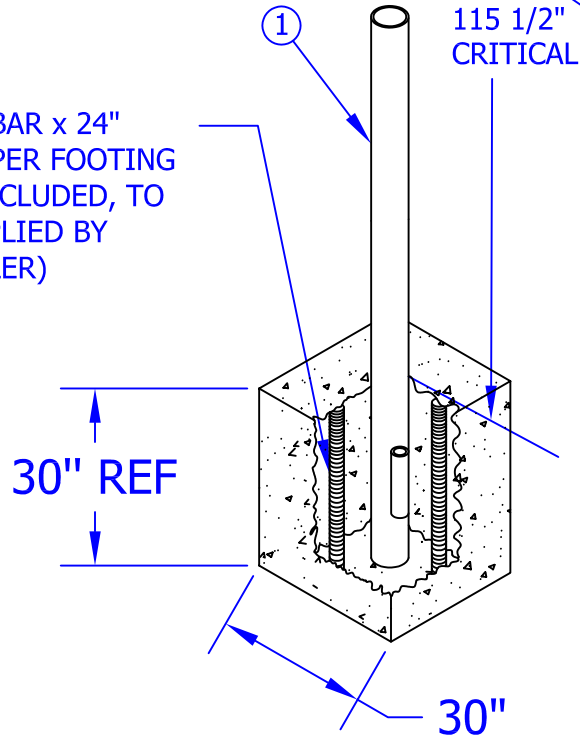
976 HARTFORD TURNPIKE, WATERFORD, CT 06385 USA
www.jaypro.com

DRAWING BY:
DRL
REVISED BY:
DRAWING NO.:
455

REV	DESCRIPTION	DATE	BY
B	REVISED FOOTING WAS 24 x 24	08/24/10	DRL



3/4" REBAR x 24"
4 PLCS PER FOOTING
(NOT INCLUDED, TO
BE SUPPLIED BY
INSTALLER)



RECOMMENDED
DIMENSIONS
FOR AVERAGE
SOIL CONDITIONS

PHONE: 800.243.0533 (TOLL FREE)
860.447.3001 (LOCAL)

FAX: 860.444.1779 (SALES)
860.440.0628 (ENG.)



JAYPRO SPORTS, LLC, 976 HARTFORD TURNPIKE, WATERFORD, CT 06385 USA
www.jaypro.com

DESCRIPTION 455 INTALLATION				
PART NUMBER 455 INTALLATION		DWN BY DonL	CHKD BY WVB	
SIZE A	SCALE NONE	DATE 6/17/2010	REV A	SHEET 1 OF 1
THIS DRAWING IS THE SOLE PROPERTY OF JAYPRO SPORTS INC. AND MAY NOT BE REPRODUCED WITHOUT WRITTEN PERMISSION OR CONSENT				

JAYPRO SPORTS

455

3 1/2" OD OUTDOOR BASKETBALL GOOSENECK

WITH 3 FOOT OFFSET

LIST OF MATERIALS

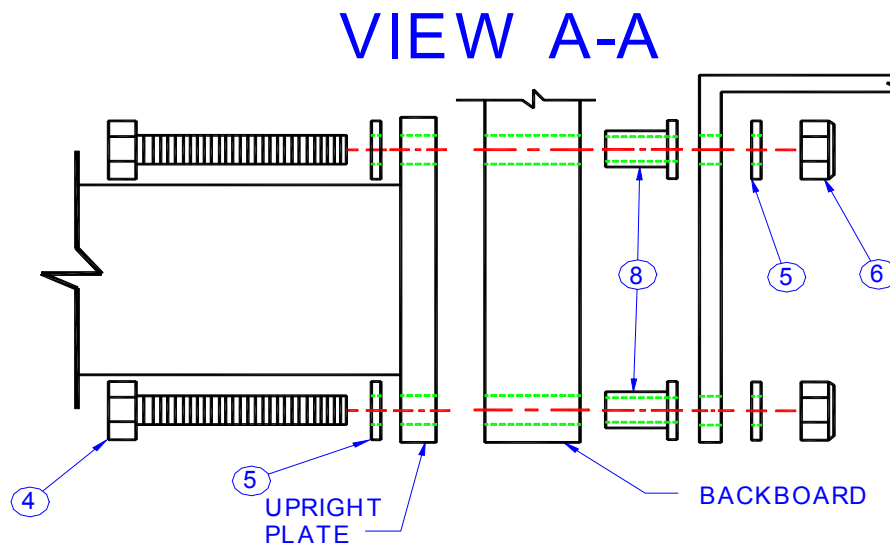
<u>PIECE NO.</u>	<u>PART NO.</u>	<u>DESCRIPTION</u>	<u>QTY.</u>
1	455U	UPRIGHT	1
2	ALB-24	FAN-SHAPED BACKBOARD	1
3	GB-55	GOAL	1
4	HS291	3/8" x 2 1/2" HEX HEAD BOLT	4
5	HW2050	3/8" FLAT WASHER	8
6	HN265	3/8" LOCKNUT	4
7	JNY-4HP	BASKETBALL GOAL NET	1
8	HN5040	3/8" TEE NUT	4

PLEASE NOTE

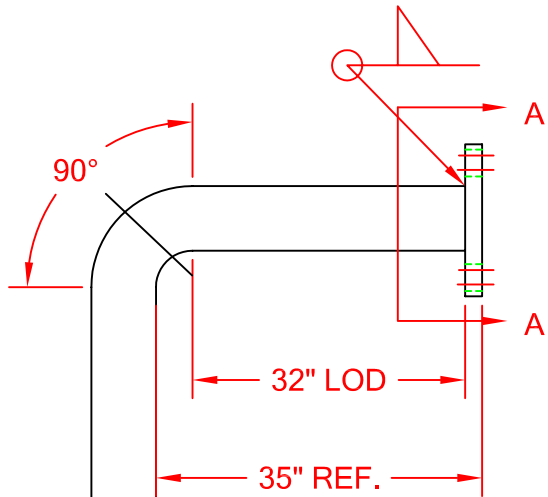
- 1) For safe operation and continued high performance from this equipment, inspection and maintenance must be performed before each use.
- 2) Use of this equipment other than intended may be hazardous.
- 3) Alteration or modification of equipment may be hazardous. For repair or replacement, please call your dealer.

IMPORTANT

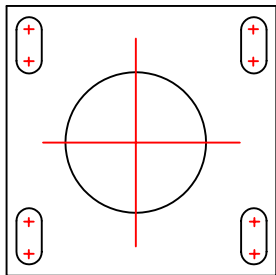
Mount backboard to plate on the upright using the 3/8" tee nuts as shown in the illustration. Then mount the goal over the 3/8" tee nuts and secure with 3/8" locknuts and 3/8" flat washers. This will allow you to remove the goal without removing the backboard.



REV.	DESCRIPTION	DATE	BY
I	ORIENT PIPE WELD NOTE ADDED	09/29/08	AT



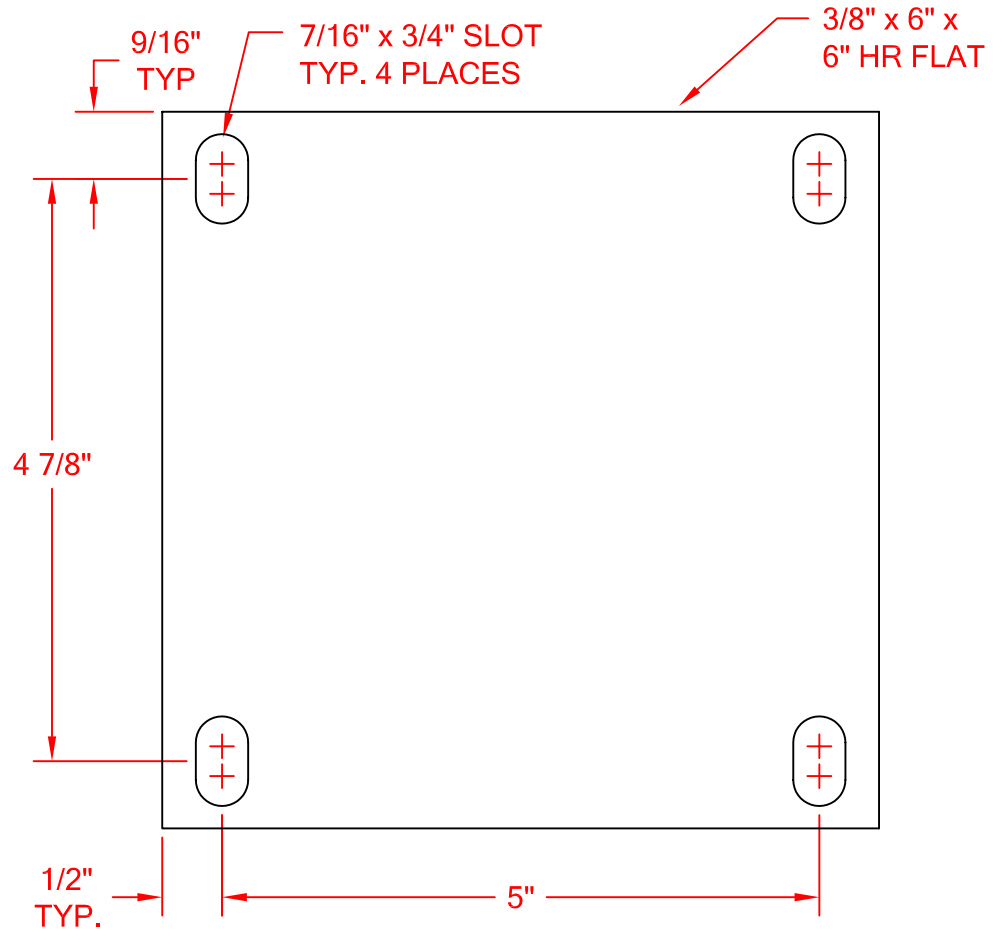
3 1/2" OD x .187" w
x 173" USE 3"
IPS DIES



SECTION A-A

1.315"
OD x 8"

10"



1 PER UNIT

NOTE:

1: ORIENT PIPE SO HOLES AND BEND
ARE PERPENDICULAR TO WELD SEAM.

UNIFIED SPORTS	DRAWN BY: BTS	DATE: 06.21.06
	MATERIAL: AS NOTED	PART NO. TOLERANCE: 1/16"
DWG. NAME: UPRIGHT ASSEMBLY	REV LET: I	DWG. NO: 455-1