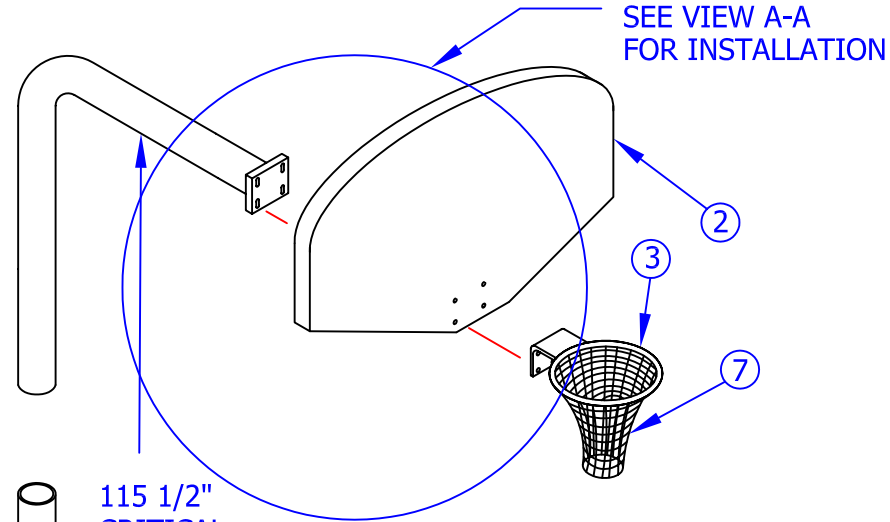
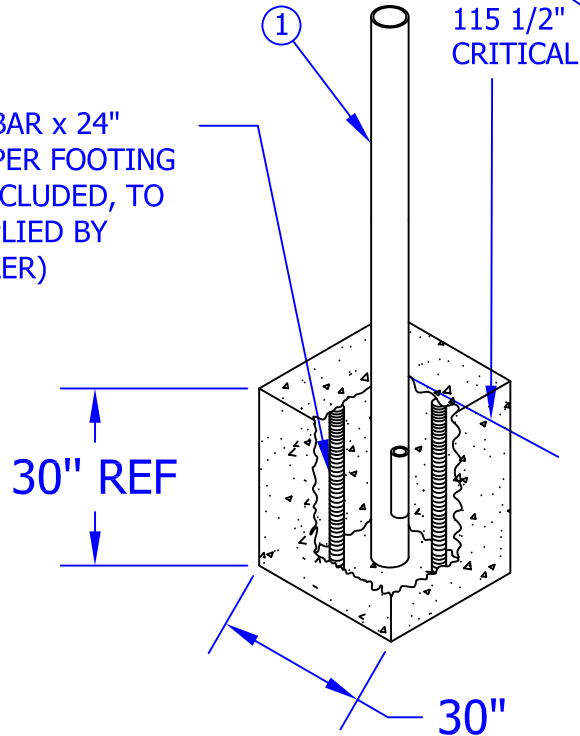


REV	DESCRIPTION	DATE	BY
B	REVISED FOOTING WAS 24 x 24	08/24/10	DRL



3/4" REBAR x 24"
4 PLCS PER FOOTING
(NOT INCLUDED, TO
BE SUPPLIED BY
INSTALLER)



RECOMMENDED
DIMENSIONS
FOR AVERAGE
SOIL CONDITIONS

PHONE: 800.243.0533 (TOLL FREE)
860.447.3001 (LOCAL)

FAX: 860.444.1779 (SALES)
860.440.0628 (ENG.)

Jaypro
Sports Equipment
Since 1959

JAYPRO SPORTS, LLC, 976 HARTFORD TURNPIKE, WATERFORD, CT 06385 USA
www.jaypro.com

DESCRIPTION					
455 INTALLATION					
PART NUMBER			DWN BY		CHKD BY
455 INTALLATION			DonL		WVB
SIZE	SCALE	DATE	REV	SHEET	
A	NONE	6/17/2010	A	1 OF 1	
THIS DRAWING IS THE SOLE PROPERTY OF JAYPRO SPORTS INC. AND MAY NOT BE REPRODUCED WITHOUT WRITTEN PERMISSION OR CONSENT					

JAYPRO SPORTS

455

3 1/2" OD OUTDOOR BASKETBALL GOOSENECK

WITH 3 FOOT OFFSET

LIST OF MATERIALS

<u>PIECE NO.</u>	<u>PART NO.</u>	<u>DESCRIPTION</u>	<u>QTY.</u>
1	455U	UPRIGHT	1
2	ALB-24	FAN-SHAPED BACKBOARD	1
3	GB-55	GOAL	1
4	HS291	3/8" x 2 1/2" HEX HEAD BOLT	4
5	HW2050	3/8" FLAT WASHER	8
6	HN265	3/8" LOCKNUT	4
7	JNY-4HP	BASKETBALL GOAL NET	1
8	HN5040	3/8" TEE NUT	4

PLEASE NOTE

- 1) For safe operation and continued high performance from this equipment, inspection and maintenance must be performed before each use.
- 2) Use of this equipment other than intended may be hazardous.
- 3) Alteration or modification of equipment may be hazardous. For repair or replacement, please call your dealer.

IMPORTANT

Mount backboard to plate on the upright using the 3/8" tee nuts as shown in the illustration. Then mount the goal over the 3/8" tee nuts and secure with 3/8" locknuts and 3/8" flat washers. This will allow you to remove the goal without removing the backboard.

