

Owner's Instructions



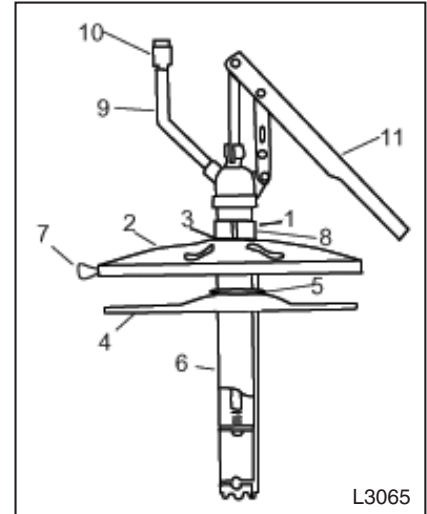
Workforce™

Part No.: L3060, L3065, L3067

Workforce Grease Transfer Pump

Assembly & Operation

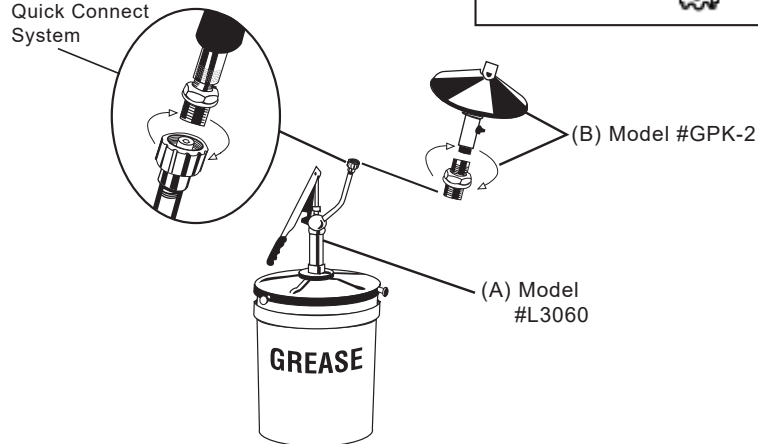
1. Tighten the Cover Clamp (1) onto the Cover Plate (2) using the three Machine Screws & Hex Nuts (3)
2. Insert the pump Assembly in the cover opening through the Cover Clamp
3. Push the Follower plate (4), Grommet assembly (5) on the Barrel (6) from below, as far up as possible dome shape of plate facing towards lid.
4. Place the complete assembly on the container. Affix the three Thumb Screws (7) to the outer edge of cover assembly and tighten.
5. Push the pump assembly downward until pump barrel touches bottom of container.
6. Tighten Machine Screw & Hex Nut (8) to hold pump in place.
7. If pump needs priming, put a small quantity of oil in the outlet of pump.
8. Screw on the Grease Bend Pipe (9) and Quick Connect Coupler assembly (10).
(Model L3060 will substitute Quick Connect Coupler with standard filler coupler)
9. Pump Handle (11) till the pump starts pumping.



Replacement Parts

Part	Description
GFP1	Follower plate (For tapered pails)
GPK-2	Bearing packer accessory
L3060	Manual grease transfer pump

Quick Connect System



Included with kit

Model	L3060(A)	GPK-2(B)
L3060	•	
L3065	•	
L3067	•	•

ONE YEAR LIMITED WARRANTY*

LEGACY MANUFACTURING COMPANY ("LEGACY") warrants that this equipment will be free from defects in material and workmanship for a period of one (1) year from the date of purchase, under normal use.* LEGACY'S sole obligation under this warranty is limited to replacing or repairing, free of charge, any equipment that proves to be defective under normal conditions and use according to the recommendations of LEGACY. To obtain repair or replacement, the equipment must be shipped to a LEGACY authorized Warranty and Service Center during the warranty period, transportation charges prepaid, with proof of date of purchase. In the event of repair or replacement, the warranty period shall not be extended beyond the original warranty period.

This warranty is extended to the original purchaser only and is not transferable. This warranty does not apply to normal wear items such as packings, seals, tips and filters, or to equipment damaged from accident, overload, abuse, misuse, negligence, faulty installation or abrasive or corrosive materials, or to equipment repaired or altered by anyone not authorized by LEGACY to repair and alter equipment. No allowance will be granted for any repairs or alterations made by a purchaser without LEGACY'S prior written consent.

LEGACY WILL BEAR NO OTHER EXPENSE, INCLUDING BUT NOT LIMITED TO LABOR AND MATERIAL COSTS (OTHER THAN THOSE SPECIFIED HEREIN) OF ANY KIND, AND YOUR EXCLUSIVE REMEDY, IN LIEU OF ALL INCIDENTAL, SPECIAL, CONSEQUENTIAL OR ANY OTHER DAMAGES, INCLUDING, BUT NOT LIMITED TO, DAMAGES FOR NEGLIGENCE, IS LIMITED TO REPAIR OR REPLACEMENT AS HERETOFORE DESCRIBED. THE FOREGOING WARRANTIES ARE IN LIEU OF ALL OTHER REPRESENTATIONS OR WARRANTIES, EXPRESS OR IMPLIED OF ANY KIND REGARDING ANY EQUIPMENT, INCLUDING BUT NOT LIMITED TO THE IMPLIED WARRANTIES OF MERCHANTABILITY AND FITNESS FOR A PARTICULAR PURPOSE OR USE. IN NO CASE SHALL LEGACY BE LIABLE FOR ANY SPECIAL, INCIDENTAL OR CONSEQUENTIAL DAMAGES BASED UPON BREACH OF WARRANTY, BREACH OF CONTRACT, NEGLIGENCE, STRICT LIABILITY, OR ANY OTHER LEGAL THEORY.

Unless modified in a writing, signed by both parties, this Limited Warranty is understood to be the complete and exclusive agreement between the parties, superseding all prior agreements, oral or written, and all other communications between the parties relating to the subject matter of this Limited Warranty. Any action for breach of warranty must be commenced within twelve (12) months following the end of the warranty period.

While necessary maintenance or repairs on your Legacy equipment can be performed by any company, we recommend that you use only authorized Legacy service centers. Improper or incorrectly performed maintenance or repair voids this warranty. Contact us at service@legacymfg.com or www.legacymfg.com for ordering, installation instructions. or a list of authorized service centers.

Workforce is a trademark owned by Weems Industries, Inc.

Legacy Manufacturing Company
Marion, IA, USA

Ph: 319.373.7305
Fx: 319.373.7309

service@legacymfg.com
legacymfg.com

INS3061
(Published 2016-12-19 Revised 2018-11-06)