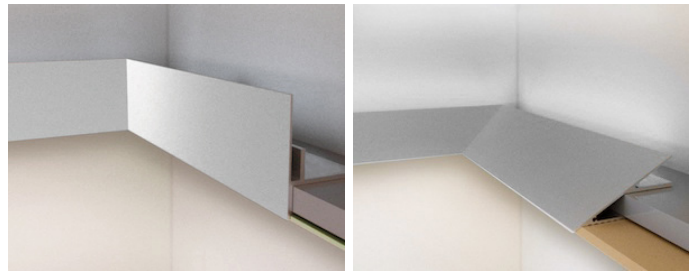


Aluminum Cove System

ARCHITECTURAL COVE LIGHTING



APPLICATION

The Aluminum Cove System is a prefabricated cove designed for use with multiple Tempo linear LED lighting fixtures for accent lighting or the award winning prl meFX wall mounted linear LED which provides the primary level of general illumination to a space.

The patented extruded aluminum design in Square or Knife Edge profiles provides simple and fast installation with a sharp, modern look. Designed with Drywall Contractors to cut down costs on labor and material associated with cove framing and installation.

FEATURES & BENEFITS

- Manufactured in USA.
- Cuts Framing labor by up to 50% and Finishing labor by up to 75%.
- Eliminates corner beads and contractor punch out work.
- Patented design mounts directly onto 5/8" drywall or Fiberock[®].
- Pre-fabricated inside and outside corners plus end caps eliminates need to miter corners in the field.
- Factory primed - ready for paint.
- Simply insert, fasten and finish.
- Provides a flat and level surface for LED linear lighting.

CONSTRUCTION

- Extruded 6063 aluminum, low-profile Knife Edge.
- Extruded 6063 aluminum Square Face designs in 1.75", 3.0" or 4.0" heights.
- Shipped in 10ft sections.
- White primer inside and out provides ideal light output without the need to paint inside of cove.
- Screw-less aluminum connector "keys" provide perfect connection between sections and corners.
- Mounting hardware provided for drywall installation.
- For interior use only.

ORDERING

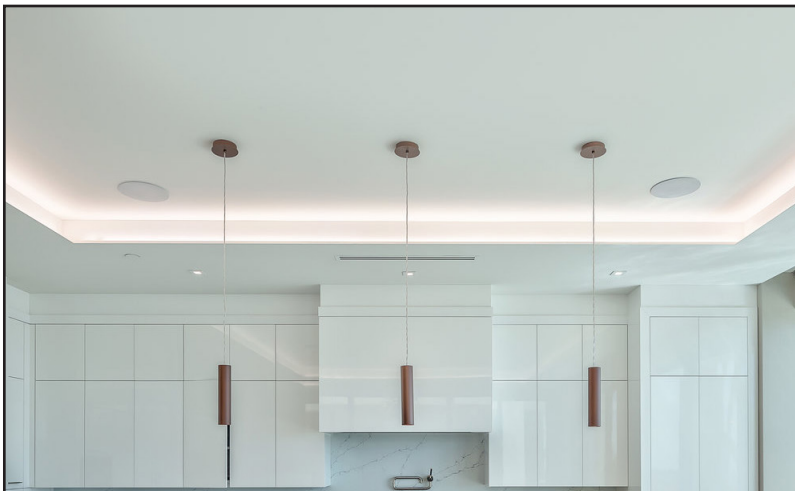
- Minimum Order of 100 feet required.
- Must provide room layout, blueprint or shop drawing with space dimensions to prepare a quote.

Buy Tempo
Buy American

MADE IN
USA 
OF US AND IMPORTED COMPONENTS

WARRANTY

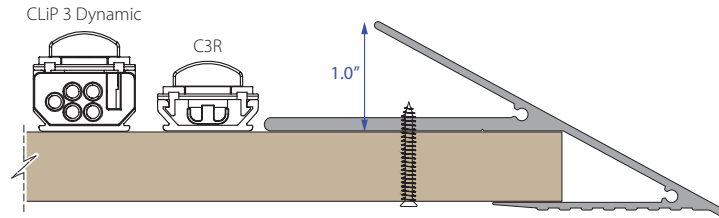
Tempo provides a 5-year limited warranty.



RECOMMENDED TEMPO LINEAR LED MODELS (Fixtures sold separately)

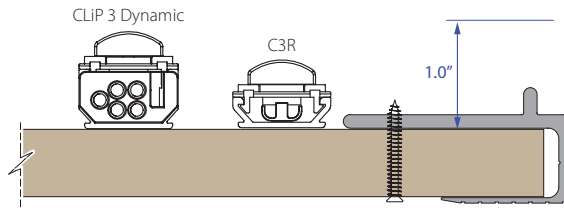
KNIFE EDGE COVE

- CLiP 3 dynamic
- C3



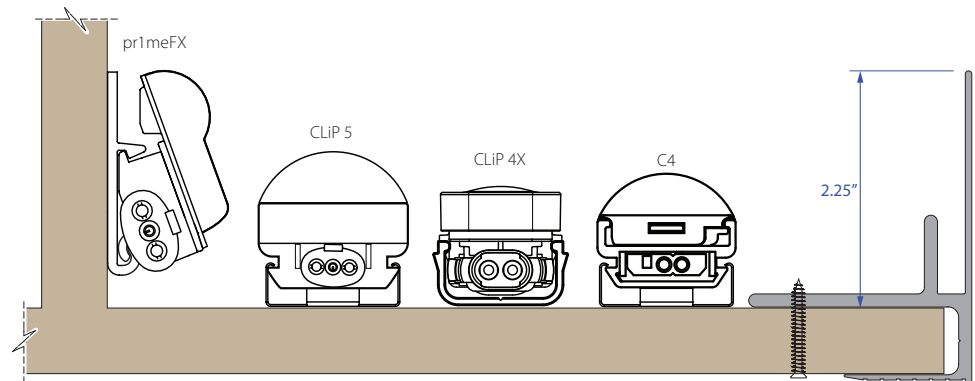
1.75" SQUARE EDGE COVE

- CLiP 3 dynamic
- C3



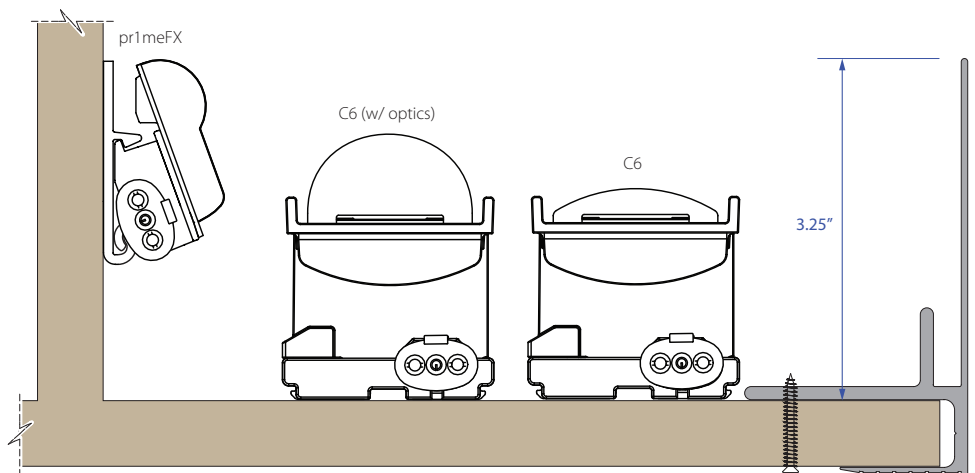
3.00" SQUARE EDGE COVE

- C4
- CLiP 4X
- CLiP 5
- pr1meFX



4.00" SQUARE EDGE COVE

- C6
- pr1meFX



Aluminum Cove System

ARCHITECTURAL COVE LIGHTING

KNIFE EDGE COVE ORDERING INFORMATION

| AC | KE | 175 | 10 |
|--------------|---------------|------------------|----------|
| Series | Cove Profile | Part Designation | Length* |
| AC Alum Cove | KE Knife Edge | 175 1.75" Height | 10 10 ft |

* Sold & shipped in 10 foot sections only. 100ft minimum order.

SQUARE COVE ORDERING INFORMATION

| AC | SQ | | 10 |
|--------------|--------------|--|----------|
| Series | Cove Profile | Part Designation | Length* |
| AC Alum Cove | SQ Square | 175 1.75" Height 300 3.00" Height 400 4.00" Height | 10 10 ft |

* Sold & shipped in 10 foot sections only. 100ft minimum order

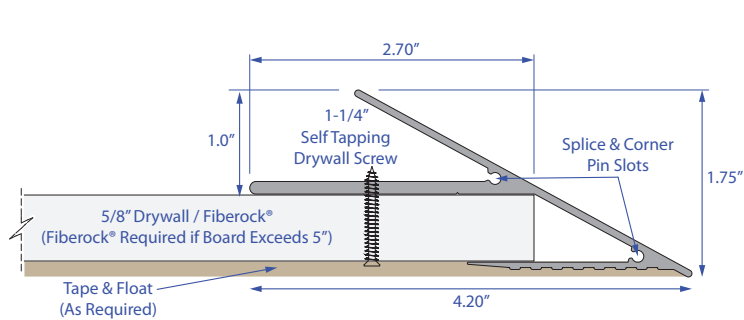
SYSTEM ACCESSORIES

| KNIFE EDGE COVE PROFILE | |
|---------------------------|--|
| ACA-KE-175-SP | Knife Edge Aluminum Cove Splice Pins, Bag of 20; (1 bag recommended for 50ft) |
| AC-KE-175-CC | Knife Edge Cove Profile 1.75" - Inside Corner Coffers, 5" x 5" |
| AC-KE-175-CR | Knife Edge Cove Profile 1.75" - Outside Corner Raft, 5" x 5" (can also be cut for left or right end cap) |
| 1.75" SQUARE COVE PROFILE | |
| ACA-SQ-175-SK | 1.75" Aluminum Cove Splice Keys, Box of 20; (1 box recommended for 100ft) |
| AC-SQ-175-CC | Square Cove Profile 1.75" - Inside Corner Coffers, 5" x 5" |
| AC-SQ-175-CR | Square Cove Profile 1.75" - Outside Corner Raft, 5" x 5" (can also be cut for left or right end cap) |
| ACA-SQ-175-SKC | 1.75" Aluminum Corner Cove Splice Keys, Box of 20; (1 box recommended for 10 corners) |
| 3.00" SQUARE COVE PROFILE | |
| ACA-SQ-340-SK | 3.00" & 4.00" Aluminum Cove Splice Keys, Box of 20; (1 box recommended for 100ft) |
| AC-SQ-300-CC | Square Cove Profile 3.00" - Inside Corner Coffers, 5" x 5" |
| AC-SQ-300-CR | Square Cove Profile 3.00" - Outside Corner Raft, 5" x 5" (can also be cut for left or right end cap) |
| ACA-SQ-340-SKC | 3.00" & 4.00" Aluminum Corner Cove Splice Keys, Box of 20; (1 box recommended for 10 corners) |
| 4.00" SQUARE COVE PROFILE | |
| ACA-SQ-340-SK | 3.00" & 4.00" Aluminum Cove Splice Keys, Box of 20; (1 box recommended for 100ft) |
| AC-SQ-400-CC | Square Cove Profile 4.00" - Inside Corner Coffers, 5" x 5" |
| AC-SQ-400-CR | Square Cove Profile 4.00" - Outside Corner Raft, 5" x 5" (can also be cut for left or right end cap) |
| ACA-SQ-340-SKC | 3.00" & 4.00" Aluminum Corner Cove Splice Keys, Box of 20; (1 box recommended for 10 corners) |
| MOUNTING ACCESSORIES | |
| ACA-ADH | Aluminum Cove Splice Adhesive, 1 Tube; (1 tube recommended for 400ft) |
| ACA-SCF | Aluminum Cove Seam/Corner Finish Sandable Epoxy, 1 Tube; (1 tube recommended for 100ft) |
| ACA-SCR | Aluminum Cove Drywall Screws, 1-1/4" Self Tapping, Bag of 100; (1 bag recommended for 100ft) |

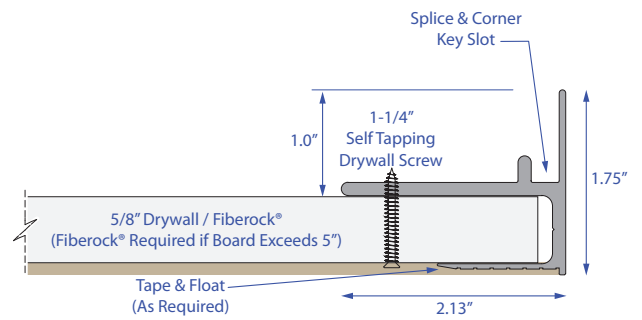
Aluminum Cove System

ARCHITECTURAL COVE LIGHTING

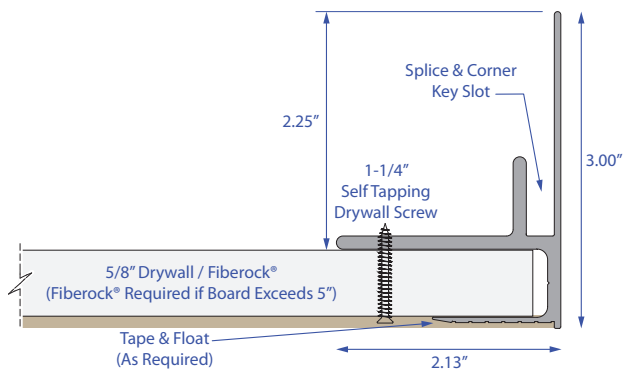
DIMENSIONAL INFORMATION



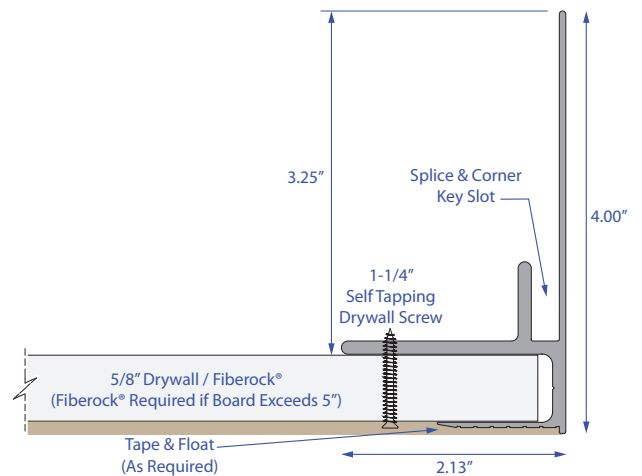
KNIFE EDGE COVE



SQUARE COVE 1.75"



SQUARE COVE 3.00"



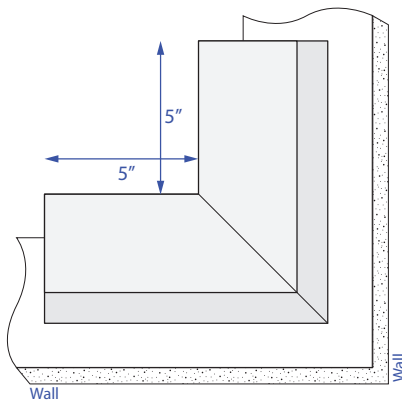
SQUARE COVE 4.00"

Aluminum Cove System

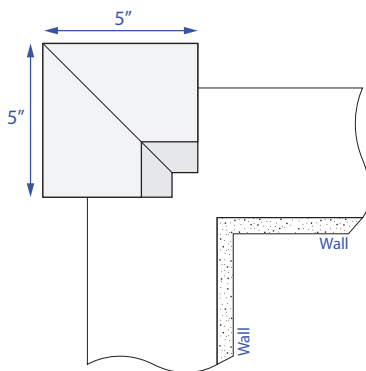
ARCHITECTURAL COVE LIGHTING

DIMENSIONAL INFORMATION

KNIFE EDGE COVE CORNERS

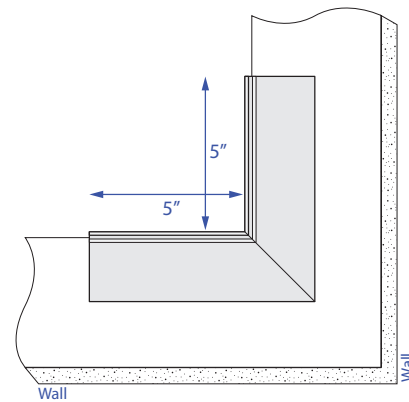


Inside Corner Coffin
AC-KE-175-CC

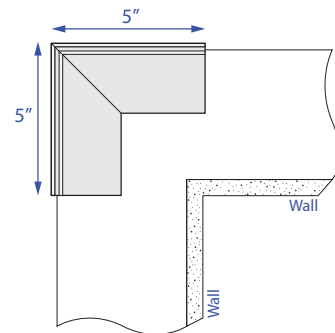


Outside Corner Raft
AC-KE-175-CC

SQUARE COVE CORNERS



Inside Corner Coffin
AC-SQ-xxx-CC



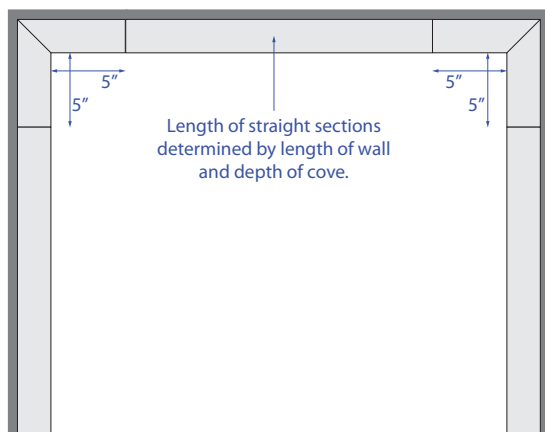
Outside Corner Raft
AC-SQ-xxx-CC

Aluminum Cove System

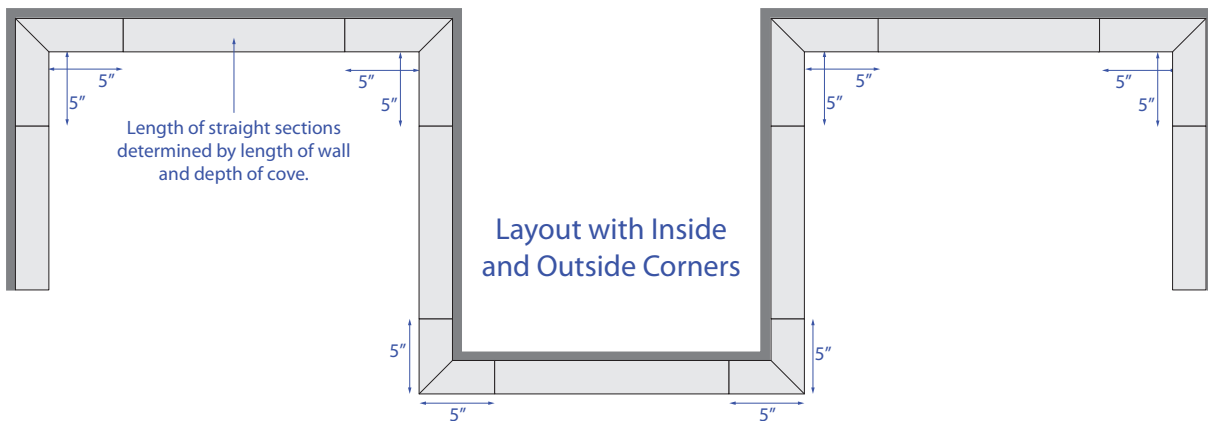
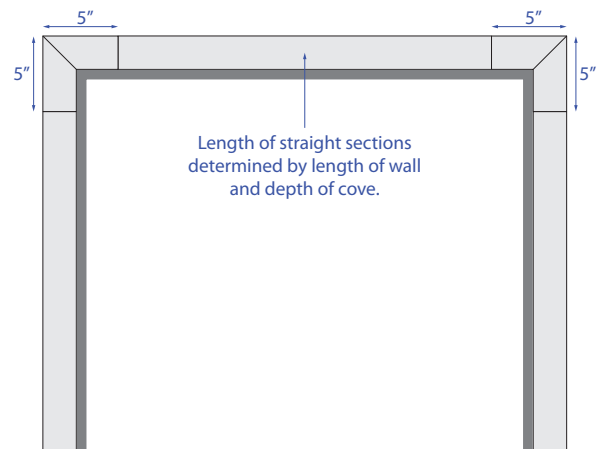
ARCHITECTURAL COVE LIGHTING

LAYOUT DETAILS

Using Pre-Fabricated Inside Corners
(all models)



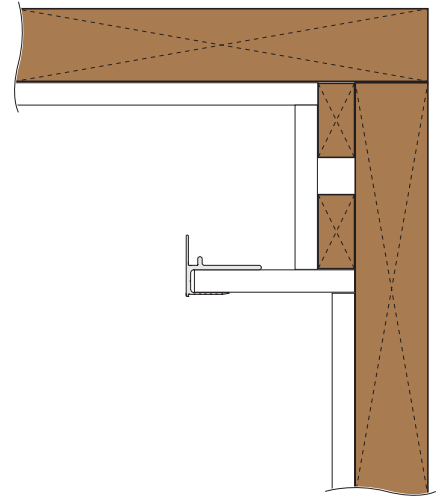
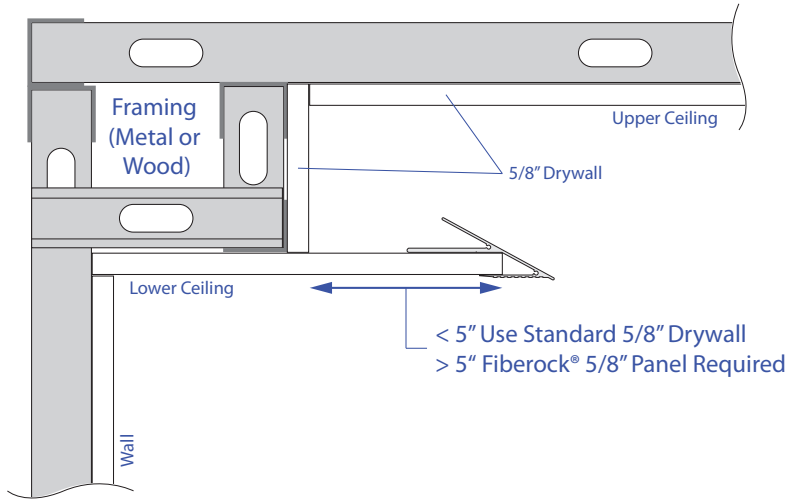
Using Pre-Fabricated Outside Corners
(all models)



Aluminum Cove System

ARCHITECTURAL COVE LIGHTING

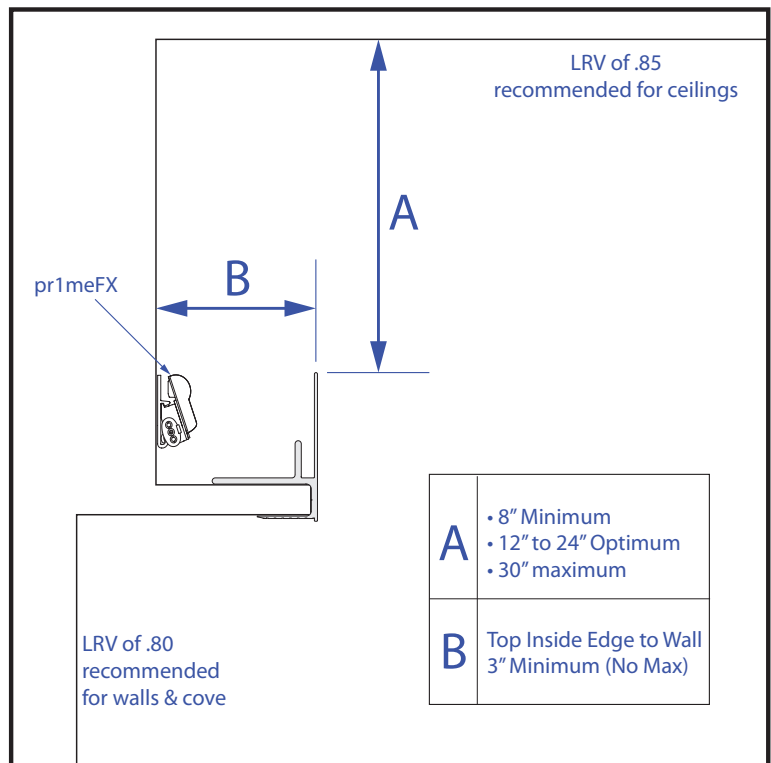
INSTALLATION EXAMPLES



USING WITH pr1meFX

pr1meFX LED linear lighting system provides the primary layer of general illumination to a space from an architectural cove.

Reference the pr1meFX spec sheet at TempoLLC.com



Tempo reserves the right to change materials or modify the design of its product without notification as part of the company's continuing product improvement program. Please consult www.tempollc.com for the most up-to-date specifications and technical data.